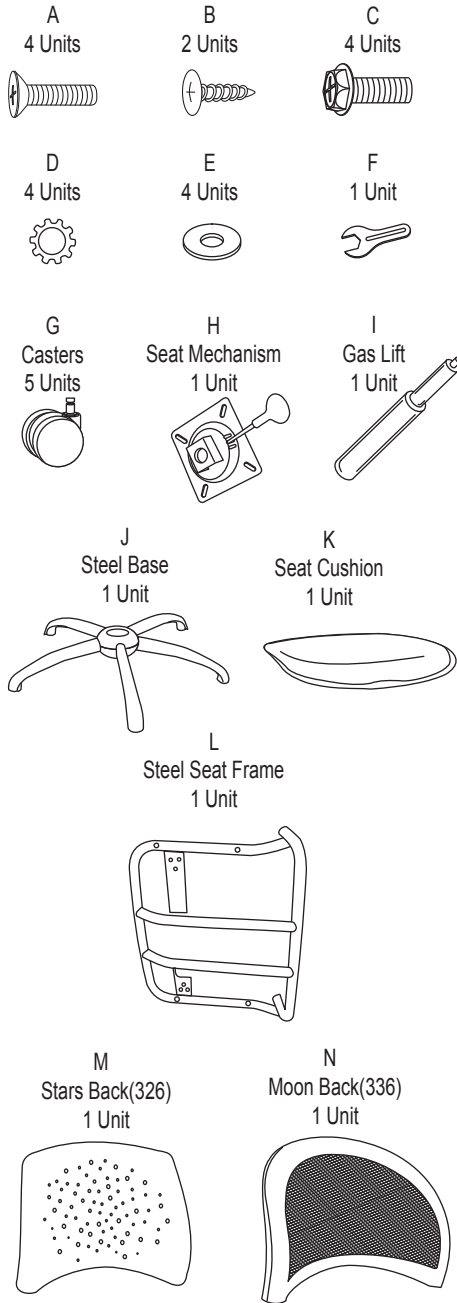


Model 326 / 326-AA3 / 326-DK / 326-AA3-DK Stars Swivel Chair 336 / 336-AA3 / 336-DK / 336-AA3-DK Moon Swivel Chair

Parts Listing



326



336



WEIGHT CAPACITY: 250 lbs.

Assembly Notes:

During assembly, hand tighten screw only when all screws are in place, you may then tighten all screws completely.

CAUTION:

1. Do not use this chair as a step ladder.
2. Check for loose screws and tighten them every 6 months.

Assembly Instructions



Tools Needed: Phillips Head Screwdriver
Please read all instructions before assembly.

Step 1A: Insert Casters (G) into Swivel Base (J).



If you are assembling a model with a DK Foot Ring please proceed to subsequent pages for drafting kit assembly instructions.

Step 1B: Insert Gas Lift (I) into Swivel Base (J).

Step 2: Attach Seat Cushion(K) to Seat Frame (L) using screws (A) and washers (D). Tighten screws with phillips head screwdriver.

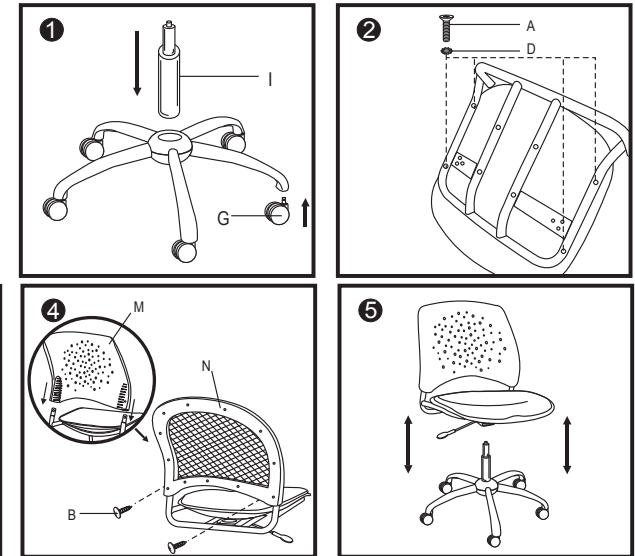
Step 3: Attach Seat Mechanism (H) to the Seat Frame (L) with 4 Bolts (C) and washers (E), using the Wrench (F) that is provided.



If you are assembling a model with optional Adjustable Arms please proceed to subsequent pages for armrest assembly instructions.

Step 4: Place the plastic Seat Back (M / N) onto top of Steel Frame (L). Line up holes in the rear of the seat back and frame and connect using two short screws (B). Tighten screws with phillips head screwdriver.

Step 5: Take entire chair frame and place Seat Mechanism (H) onto Gas Lift (I), and press down firmly to secure.



ofm
Furniture For The Real Office™

161 Tradition Trail Holly Springs, NC, 27540
800-520-7471 (voice) 919-362-4765 (fax)
919-303-6389 (voice) www.ofminc.com
support@ofminc.com