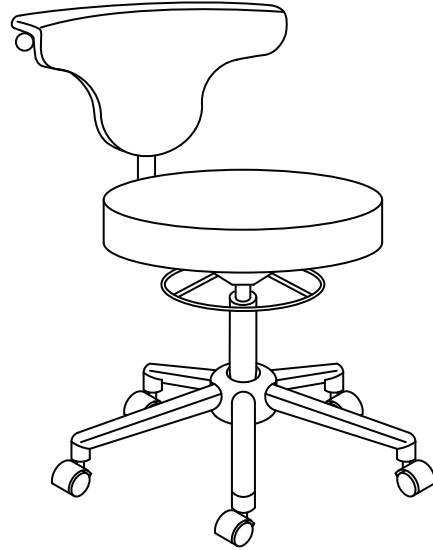
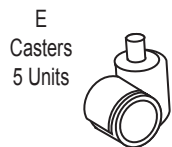
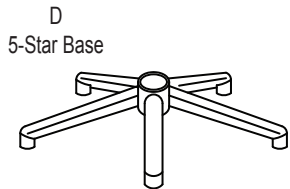
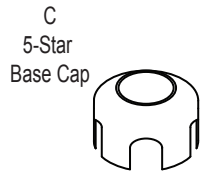
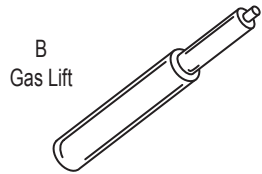
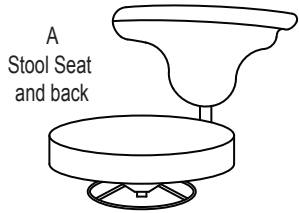


# Model 910 Anatomy Chair

## Parts Listing



## Assembly Instructions

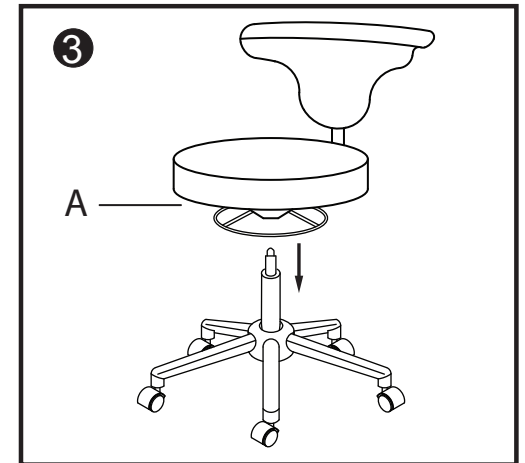
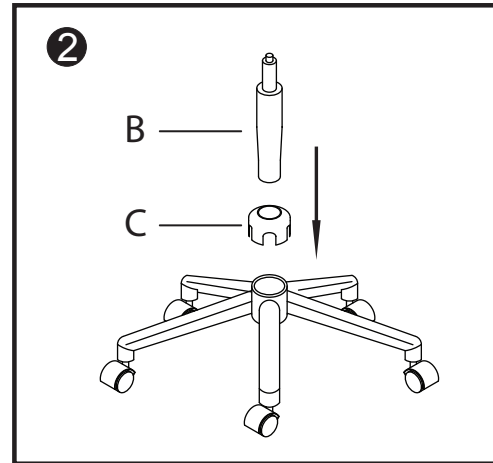
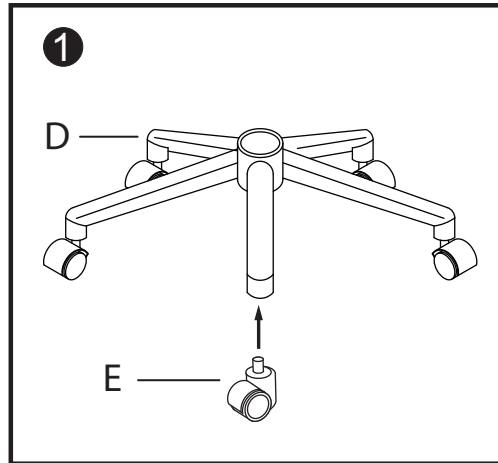


**Please read all instructions before assembly.**

**Step 1:** Insert Casters (E) into 5-Star Base (D).

**Step 2:** Place 5-Star Base Cap (C) over 5-Star Base (D), then insert Gas Lift (B) into hole in 5-Star Base (D).

**Step 3:** Place entire Stool Seat with Back (A) onto top of Gas Lift (B) and push down firmly to lock into place.



**WEIGHT CAPACITY: 250 lbs.**

### Assembly Notes:

#### CAUTION:

1. Do not use this chair as a step ladder.
2. Check for loose screws and tighten them every 6 months.

**ofm**  
Furniture For The Real Office™

161 Tradition Trail, Holly Springs, NC, 27540  
800-520-7471 (voice) 919-362-4765 (fax)  
919-303-6389 (voice) www.ofminc.com  
support@ofminc.com