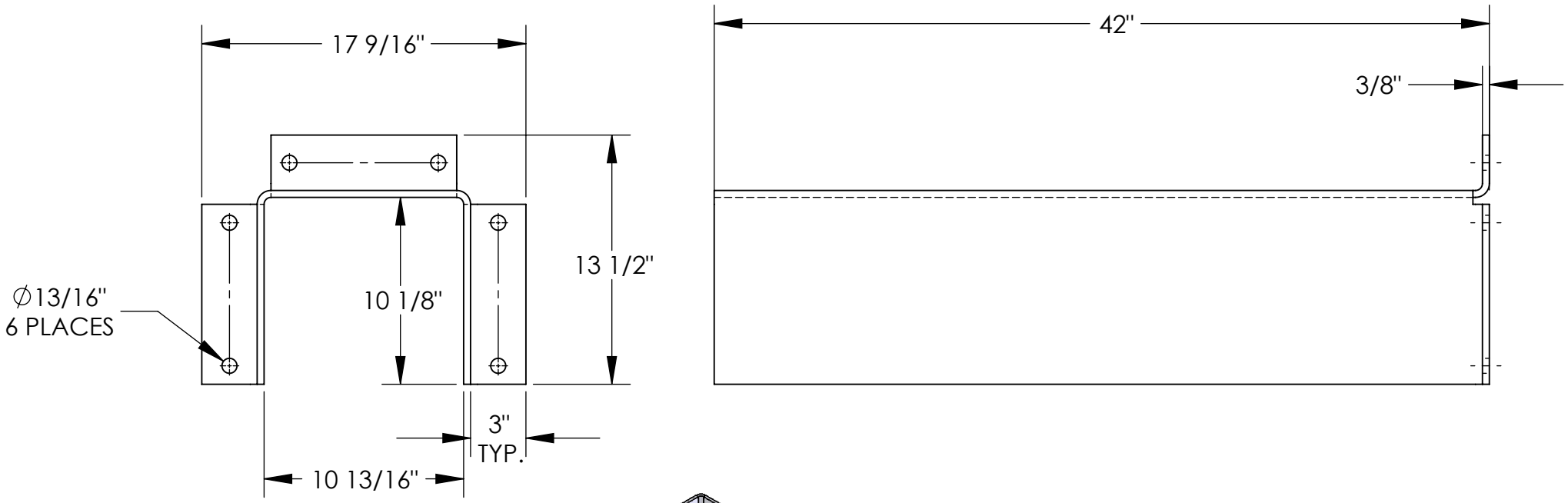


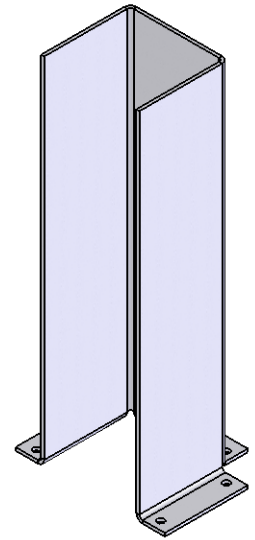
# COLUMN GUARD PROTECTOR, CG-42

\*\*\* ANY ADDITIONS, DELETIONS, OR OMISSIONS MUST BE CORRECTED ON THIS DRAWING AS THIS IS THE FINAL PRINT. ALL GRAPHICS PROVIDED ARE FOR REFERENCE ONLY. IF CERTAIN DIMENSIONS ARE CRITICAL PLEASE CONTACT THE MANUFACTURER.



## STANDARD FEATURES

- MODEL NUMBER: CG-42
- OVERALL HEIGHT: 42"
- OVERALL WIDTH: 17"
- OVERALL DEPTH: 13 1/2"
- USABLE WIDTH: 10 13/16"
- USABLE DEPTH: 10 1/8"
- POWDER COATED YELLOW
- FORMED STEEL CONSTRUCTION



## SPECIAL FEATURES

NONE

ALL SPECIAL UNITS ARE NON-RETURNABLE

<b>A P P R O V A L</b>	I, the undersigned, hereby approve this print. This includes my approval of design & dimensions	
	<input type="checkbox"/> As drawn	<input type="checkbox"/> As marked
	Signed: _____ Date: _____	
<b>LEAD TIME WILL START UPON RECEIPT OF SIGNED APPROVAL DRAWING</b>		

DISTRIBUTOR'S NAME:		P.O.#	
<b>VESTIL MANUFACTURING</b>		W.O.#	
DRAWN BY:	DATE:	SCALE: 1:8	SALES:
AC	07/06/05		
REFERENCE:	QUOTE #	FILE NAME:	
		23-007-106	