

INSTALLATION INSTRUCTIONS

MODULAR FIXED LOUVER

MODEL AFL/GFL

Description

The Modular Fixed Louvers are designed to be installed individually or in multiples providing seamless mullions from the front side. Heavy gauge .060 Aluminum, or 16 gauge A-60 Galvaneal ready for your custom paint color. Both aluminum and galvaneal models are 4" deep and come with birdscreen installed.

Installation

ENSURE STRUCTURAL INTEGRITY OF WALL BEFORE BREACHING.

- Clean the opening prior to installation.
- Wall opening should be 1/4" to 1/2" larger than the OD of the louver.
 - Note: For multiple wide installations as shown in Figure 1, each panel will be undersized by 1/2" plus the frame overlap of 1" for a total of 2".
- Install head and sill flashing (not provided) if needed in wall opening as per Figure 3.
- Insert unit into opening and fasten as per Figure 3.
- To install multiple wide units:
 - Remove birdscreen.
 - Slide "c" channel flange behind flat flange as shown in Figure 1.
 - Replace birdscreen and re-fasten through the birdscreen and the flanges of both units as per Figure 1.
 - Use clip angles (not provided) to secure frame(s) to the wall as per Figure 3.
- To install multiple high units:
 - Remove birdscreen.
 - Apply bead of caulk between units.
 - Stack units as per Figure 2 and secure by driving corrosion resistant sheet metal screws through the top and bottom at intervals no more than 18" with a minimum of two fasteners per side.
 - Use clip angles (not provided) to secure frame(s) to the wall as per Figure 3.
 - Re-install birdscreen.

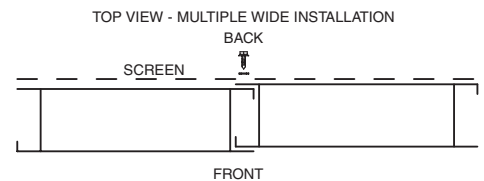


Figure 1

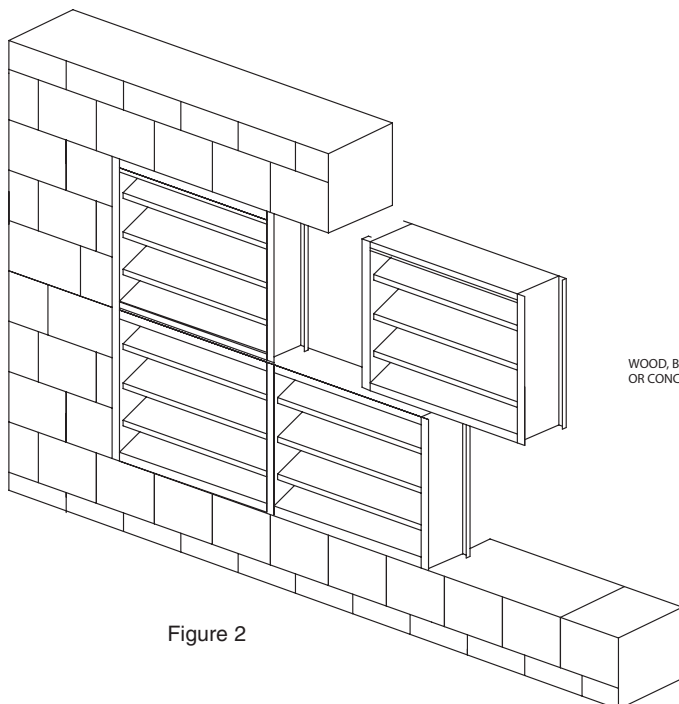
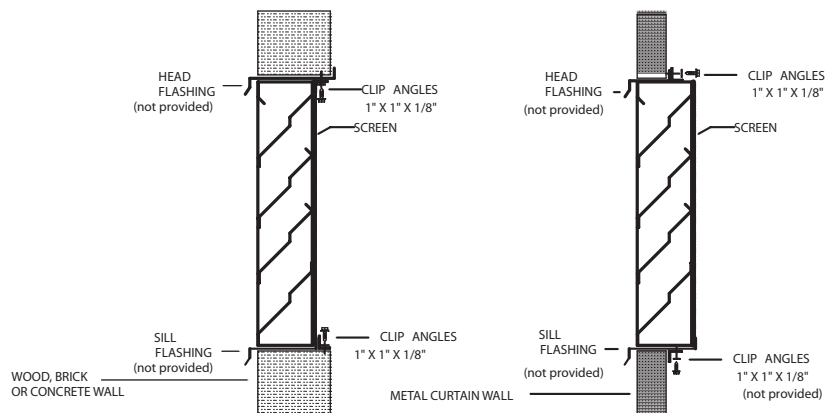


Figure 2



Note: Caulking, mounting hardware or flashing materials are not supplied with louver

Figure 3

LIMITED WARRANTY

All products manufactured are warranted by Air Conditioning Products Company (ACP) to be free from original defects in workmanship for a period of one year from date of shipment, under conditions of normal use and service. ACP will replace or repair any defective parts upon return to our plant, freight prepaid. This limited warranty will, in no way, include the payment of labor charges for field replacement of defective parts, installation, repairs of adjustments, or any other work done. Back charges will not be accepted for any reason unless ACP has given prior written permission, nor will ACP be responsible for consequential damages of any character, no limited warranty expressed or implied will supersede the foregoing.

Manufactured for Air Conditioning Products Co.
30350 Ecorse Road • Romulus, MI 48174
acpshutters.com