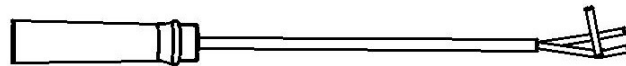
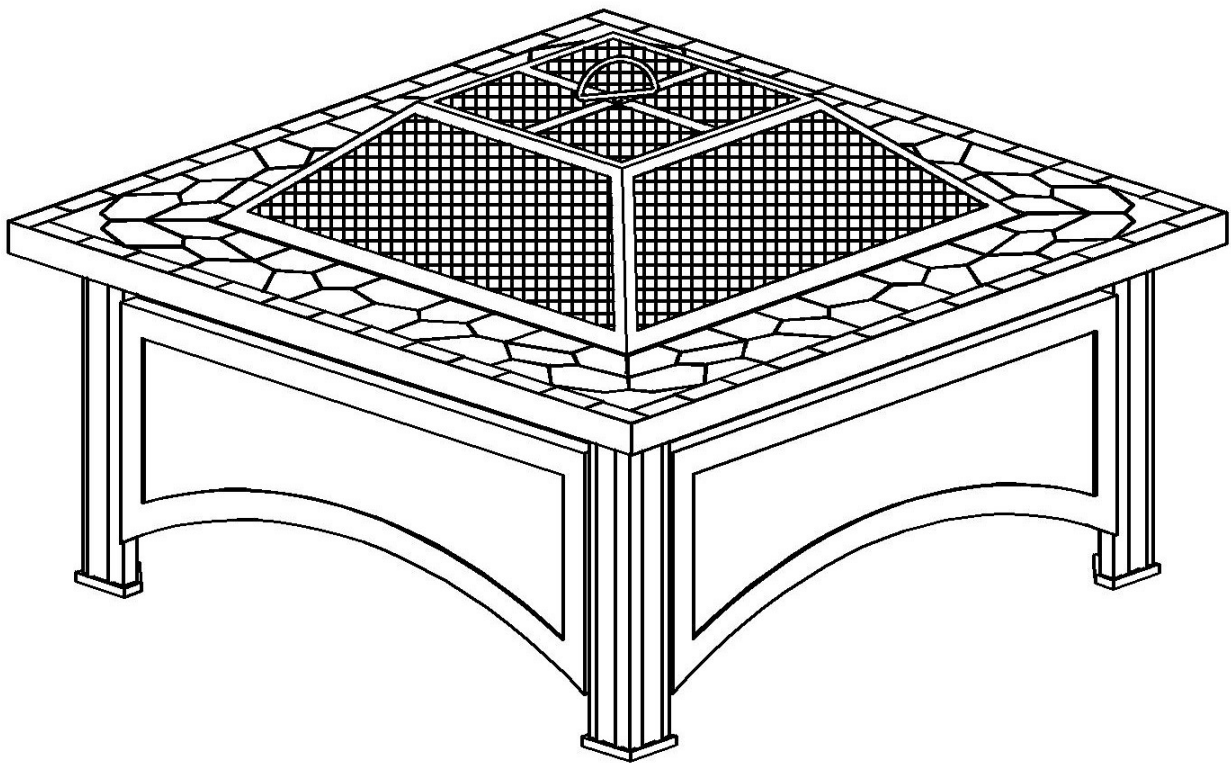




36" Slate Top Wood Burning Firepit

MODEL #YFP-51133D



ATTACH YOUR RECEIPT HERE

Serial Number _____ Purchase Date _____



Questions, problems, missing parts? Before returning to your retailer, call our customer service department at **1-888-775-1330**, 8 a.m. - 4 p.m., PST, Monday - Friday.

OWNER'S MANUAL

Item Number: YFP-51133D

Product Name: 36" Slate Top Wood Burning Firepit

WARNINGS:

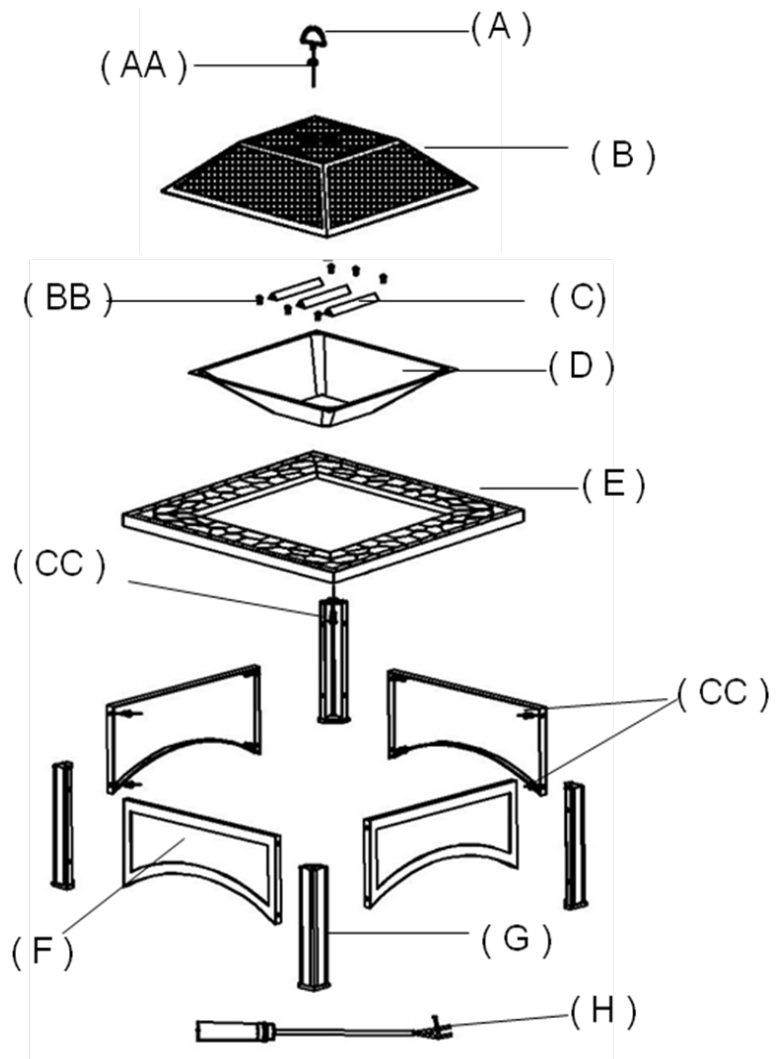
- This firepit is intended for outdoor use only. Do not use on wooden decks.
- This firepit is intended to burn wood logs only. Do not burn coal, leaves, or other combustible materials in the firepit.
- Not for use by children. Keep children and pets away from the firepit.
- The firepit is hot. Use with caution. Do not touch the hot firepit with bare hands.
- Never leave the burning firepit unattended, and always extinguish the fire completely before leaving the firepit.
- Do not use near flammable or combustible objects or materials.
- When the firepit is in use, the handle on the mesh screen can reach extreme temperatures that can cause serious injury to an unprotected hand. Use a poker or an appropriate heat resistant glove or pad when handling.
- Check local fire regulations and municipal by-laws for safe use.

FIRE PIT PARTS LIST

No.	PARTS	Qty
A	Lift handle	1
B	Screen	1
C	Triangular Air Vents	3
D	Fire bowl	1
E	Slate top	1
F	Leg frame	4
G	Leg	4
H	Poker	1

HARDWARE LIST

NO.	PARTS	QTY
CC	M6*12 Bolt	20
AA	M6 Nut	1
BB	M6*10 Bolt	6



Tools required: Screw driver (not included)

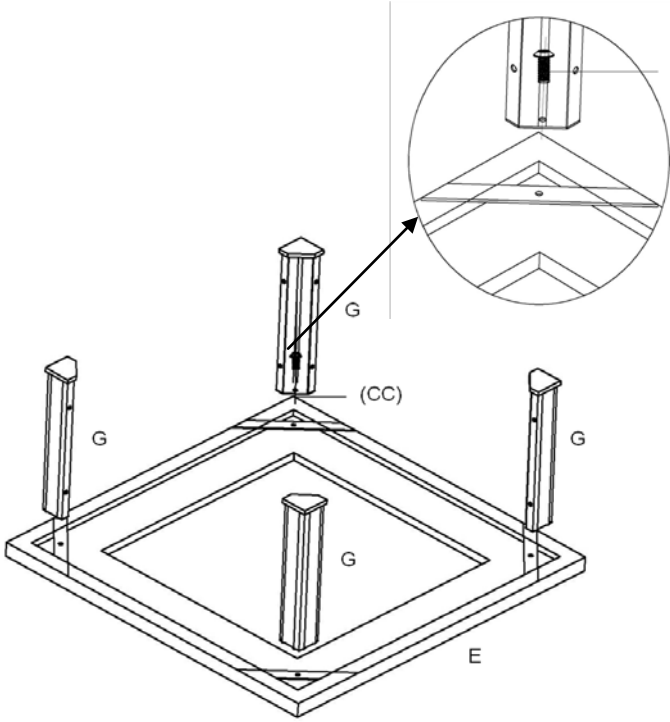


FIG 1

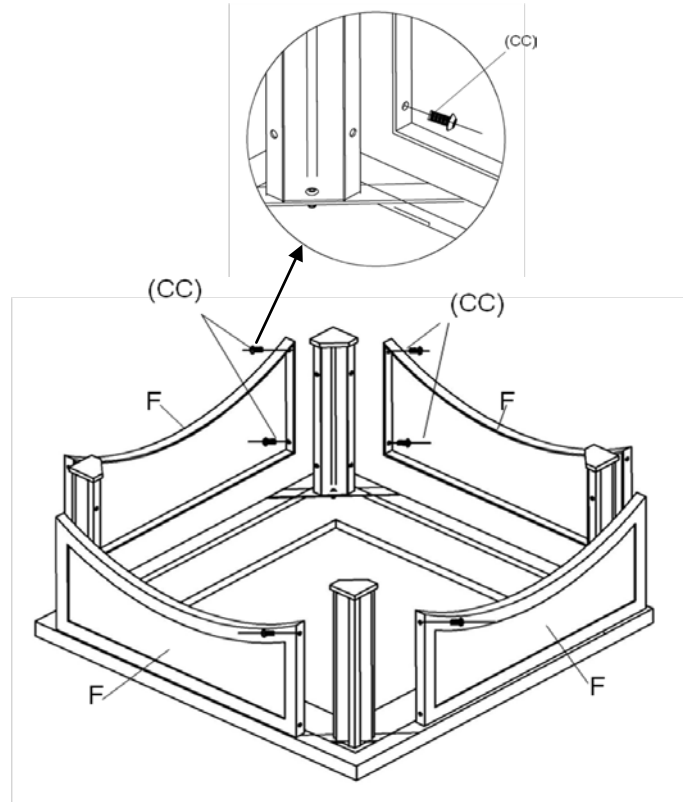


FIG 2

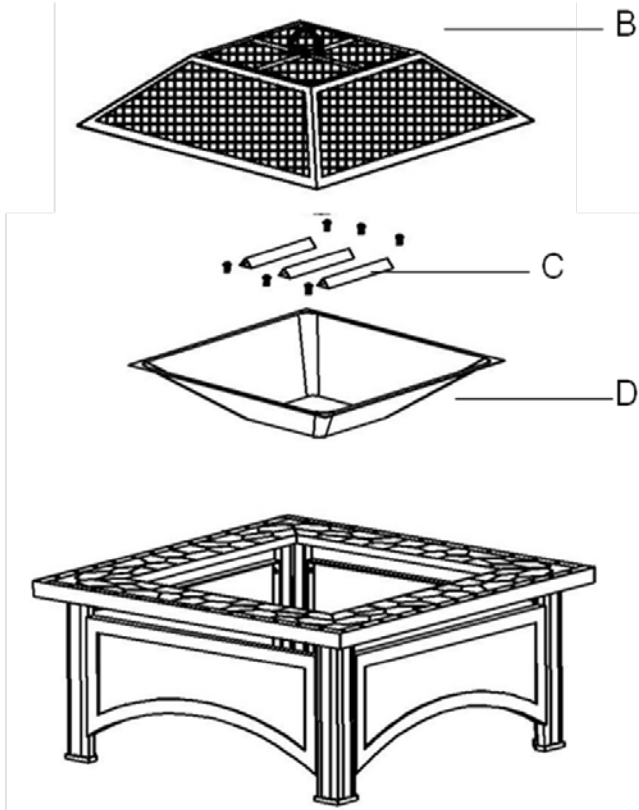


FIG 3

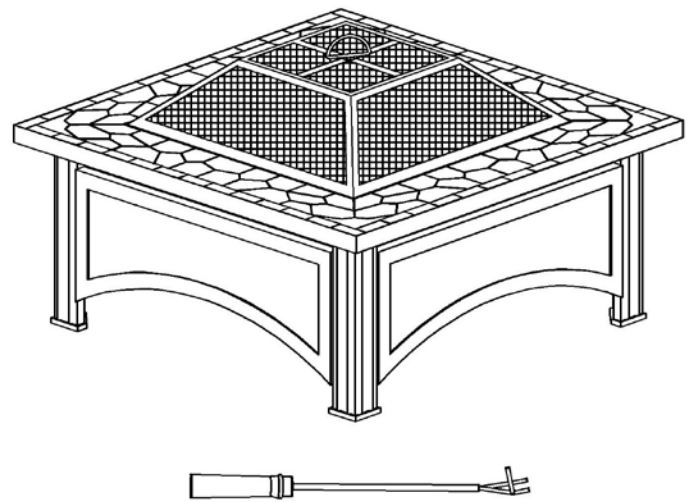


FIG 4

Assembly steps:

Step 1:Place the Tile top(E) upside down on a level flat surface. Then attach one leg(G) to the tile top by using Bolt(CC). **Do not tighten the bolt fully!** The same step for the other three legs.(See FIG 1)

Step 2:Connect one Leg frame(F) between two legs by using 4 Bolts(CC) tightened. **Do not tighten the bolts fully.** The same step for the remaining leg frames. Lastly, tighten all the bolts. (See FIG 2)

Step 3: Turn the assembled table top right side up, put Firebowl (D) onto the table, place Log grate(C) into firebowl. (See FIG 3)

Step 4: Assemble the Screen(B) by using Lift handle(A) and Nut(AA). Finally put the screen on the firepit.

Your firepit is ready for use now! Enjoy!