



ACORN SAFETY
P.O. BOX 3527
CITY OF INDUSTRY, CA 91744-0527
UNITED STATES OF AMERICA
WWW.ACORNSAFETY.COM

INSTALLATION, OPERATION AND MAINTENANCE INSTRUCTIONS

PORTABLE GRAVITY FED EYEWASH STATION



MODELS S0P50

TECHNICAL ASSISTANCE TOLL FREE TELEPHONE NUMBER

1.800.591.9360

TECHNICAL ASSISTANCE FAX: 1.626.855.4894

NOTES TO THE INSTALLER:

- 1. Please leave this documentation with the owner of the fixture when finished.**
- 2. Please read this entire booklet before beginning the installation.**
- 3. Check your installation for compliance with plumbing, electrical, ANSI Z3558.1 and other applicable codes.**

LIMITED WARRANTY

UNITED STATES AND CANADA

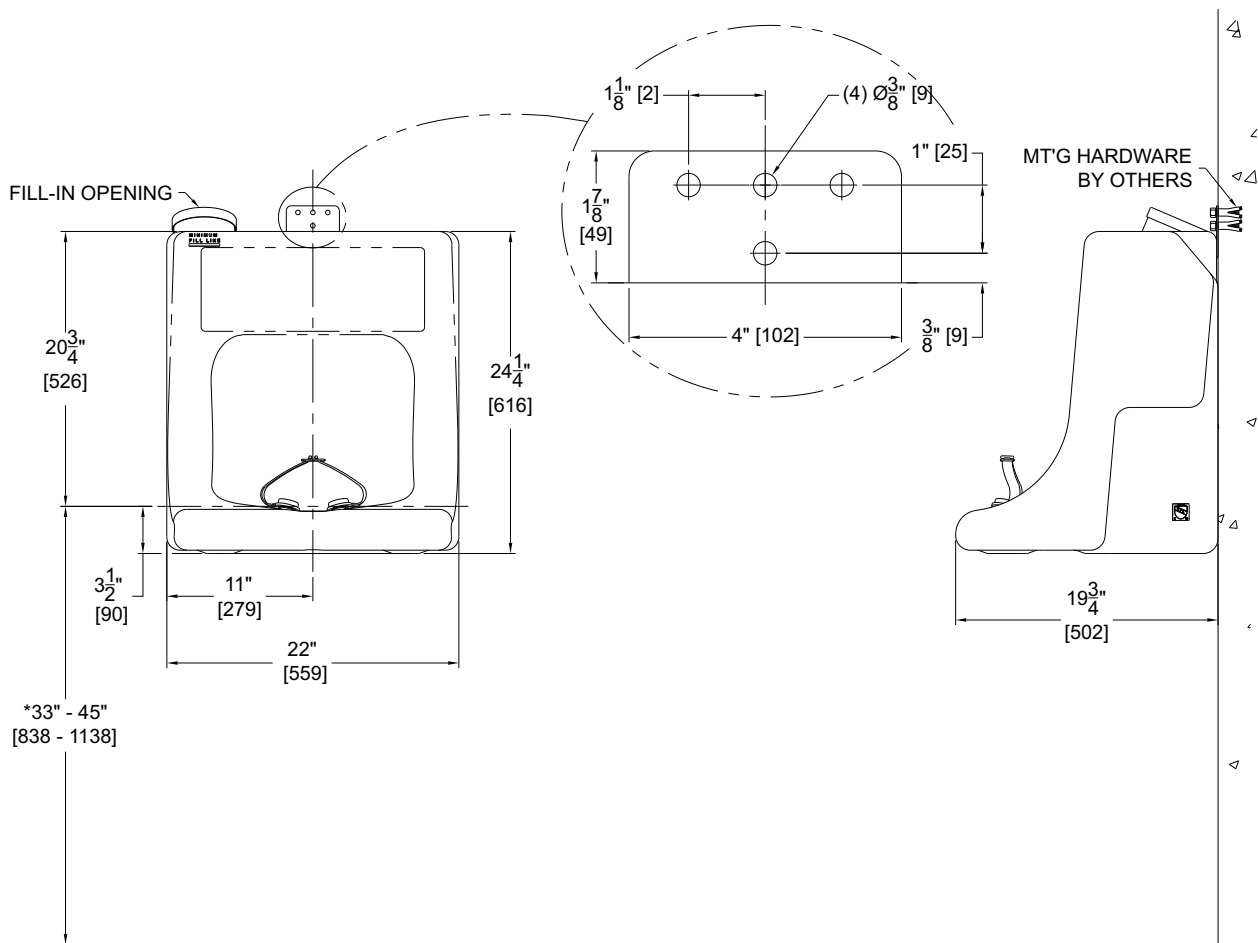
Acorn Safety warrants that its products are free from defects in material or workmanship under normal use and service for a period of one year from date of shipment. Acorn's liability under this warranty shall be discharged solely by replacement or repair of defective material, provided Acorn is notified in writing within one year from date of shipment, F.O.B. Industry, California.

This warranty does not cover installation or labor charges and does not apply to materials, which have been damaged by other causes such as mishandling or improper care or abnormal use. The repair or replacement of the defective materials shall constitute the sole remedy of the Buyer and the sole remedy of Acorn under this warranty. Acorn shall not be liable under any circumstances for incidental, consequential or direct charges caused by defects in materials, or any delay in the repair or replacement thereof. This warranty is in lieu of all other warranties expressed or implied. Product maintenance instructions are issued with each unit and disregard or non-compliance with these instructions will constitute an abnormal use condition and void the warranty. Stainless steel must be protected on jobsites during construction and must be properly maintained after the water has been introduced into the safety product or Acorn's warranty is void.

BEFORE INSTALLATION

1. Read the installation instructions prior to beginning the installation.
2. Separate parts from packaging and verify all necessary parts are accounted for and undamaged. Obtain missing or damaged parts from Acorn Safety prior to beginning installation. See page 4.
3. Thoroughly rinse unit inside and outside with HOT soapy water (use mild soap & potable water). Ensure that no foreign matter or particles are left inside unit especially in the spray head ports. Inspect for leaks.
4. In order to comply with ANSI Z358.1, the safety equipment must be inspected periodically. An inspection tag is provided for documentation purposes.
5. All employees at risk of contamination should be informed and trained in the use of this and any other safety equipment. The signage provided should be highly visible, posted in a well-lit area within the area served by the safety station.

ROUGH-IN



GENERAL NOTES:

1. ALL DIMENSIONS ARE IN INCHES [MM].
2. REFER TO ADA FOR CLEAR FLOOR/GROUND SPACE AND APPROACH REQUIREMENTS.
- *3. ANSI Z358.1 REQUIRES NOZZLES TO BE MOUNTED BETWEEN 33" - 45" [838 - 1143] ABOVE THE FINISHED FLOOR.
4. ANSI Z358.1 REQUIRES A MINIMUM DISTANCE OF 6" [152] FROM ANY WALL OR OBSTRUCTION.
5. TANK CAN ALSO BE PLACED ON A COUNTERTOP OR OTHER FLAT SURFACE.

INSTALLATION INSTRUCTIONS:

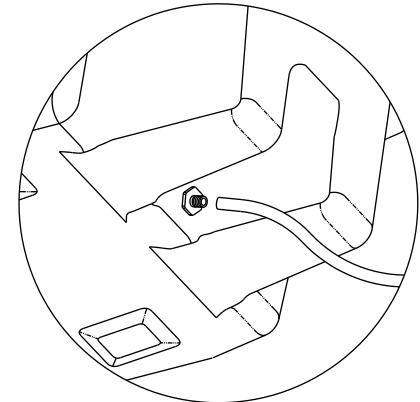
Supplies required: (not provided by Acorn)

- Wall fastener anchors, washers.
- Wall fasteners. (Machine threads or lag bolts based on construction)

Notes: Top of spray nozzles must be between 33" - 45" from finished floor in order to meet ANSI Z358.1. See page 2.

DRAIN HOSE

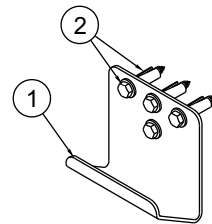
A. Slip drain hose onto drain fitting in the back of unit. Place end of hose into an appropriate drain or waste receptacle. See detail "A".



DETAIL "A"

WALL INSTALL

B. Install hanging bracket ① to wall using appropriate installer provided wall anchors and anchoring hardware ②. Locate bracket, so that the side of the eyewash station clears the nearest obstruction or wall by a minimum of 6" [152]. Refer to rough-in drawing, page 2. NOTE: FULL TANK WEIGHS APPROXIMATELY 170 LBS [77 KG]. See detail "B".

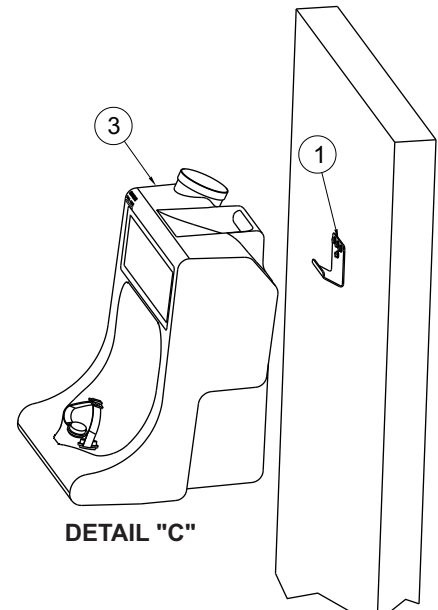


DETAIL "B"

C. Hang eyewash station ③ on hanging bracket ①. See detail "C".

COUNTERTOP INSTALL

- D. Position the eyewash station 6" [152] minimum from a wall or nearest obstruction.
- E. Ensure the spray heads are no less than 33" [838] and no greater than 45" [1143] from the surface on which the user stands.



DETAIL "C"

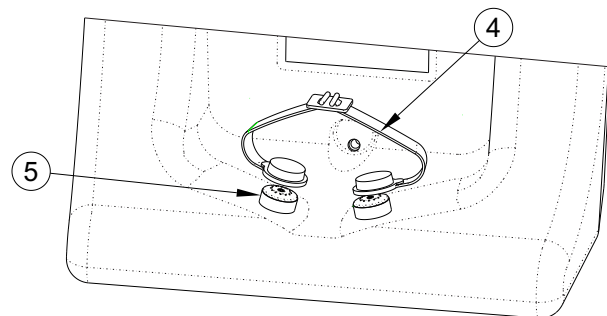
PULL STRAP CAPS \ FILLING

- F. Install yellow pull strap caps ④ onto spray heads ⑤ by firmly pressing & stretching pull strap caps ④ over and around spray heads ⑤. See detail "D".
- G. Remove fill cap and fill eyewash station with potable water to minimum fill line. Verify spray pattern for each spray head by removing one cap at a time & then replacing it.
- H. With pull strap caps in place partially refill tank with water. Add preservative per instructions on the preservative label, then add potable water to minimum fill line.

OPERATION INSTRUCTIONS:

Instruct all personal in the proper use of the eyewash station. Training should be scheduled on a regular basis to ensure each person is aware of the location and how to use the eyewash station.

1. Begin operation by grasping the pull strap and pulling the strap swiftly and firmly upward. This action will automatically activate the water spray.
2. Lower head until eyes enter eyewash stream, holding eyelids open with thumbs and forefingers.
3. Allow water to flush eyes for a minimum of 15 minutes per ANSI Z358.1.
4. Seek qualified medical attention immediately.



DETAIL "D"

MAINTENANCE INSTRUCTIONS:

1. Eyewash station should be visually inspected weekly for cleanliness and proper fill level.
2. Inspect eyewash stations annually to verify unit is in compliance with ISEA/ANSI Z358.1-2009, section 5.4 requirements.
3. Log inspections on service tag provided.
4. To refill: Clean inside of tank with HOT soapy water, and rinse thoroughly. Use mild soap and potable water. Add potable water and preservative to minimum fill line per instructions on the preservative label.
5. Every Six months or after any operation (use) of the eyewash station (except short tests) the tank must be emptied, cleaned, & refilled or follow directions on preservative label.

PARTS LIST		
ITEM #	PART NUMBER	DESCRIPTION
1	7101-400-001	18.5 GAL. EYEWASH TANK ASSEMBLY
2	7101-422-000	FILL CAP
3	7101-400-000	18.5 GAL TANK
4	7101-423-001	SPRAY HEAD w/ FLOW RESTRICTOR
5	7101-424-000	PULL STRAP CAPS
6	7100-401-000	SERVICE TAG
7	2804-022-000	CABLE TIE
8	7101-425-199	1/2" ID 36" HOSE
9	7101-421-000	8 oz. WATER PRESERVATIVE
10	7101-428-199	HANGING BRACKET
MAINTENANCE PARTS LIST		
11	7100-401-001	SERVICE TAG w/ CABLE TIE -PACKAGE OF 25 EA.
12	S0000-PWP	WATER PRESERVATIVE - PACKAGE OF 4 BOTTLES

