



Value and versatility defined

The OLF 2RH LED two head motion security light was designed to deliver years of maintenance-free illumination with the added benefit of motion detection. Ideal for both residential and commercial areas such as yards, driveways, patios, loading areas and warehouses. It features LED technology with a 50,000 hours (>13 years) LED life. Available in white and bronze finishes, the OLF 2RH LED luminaire features removable visors for maximum light output or neighborhood friendly shading.



OLF 2RH replaces up to 150W PAR Lamp



Value and versatility defined



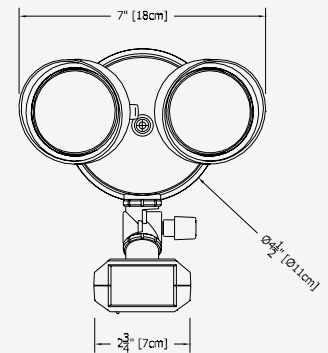
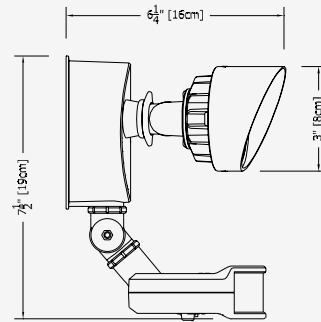
Wall- or Eave-mounts to a recessed junction box.

Combining our OMS 1000 motion sensor with LED lights for our most economical LED safety solution

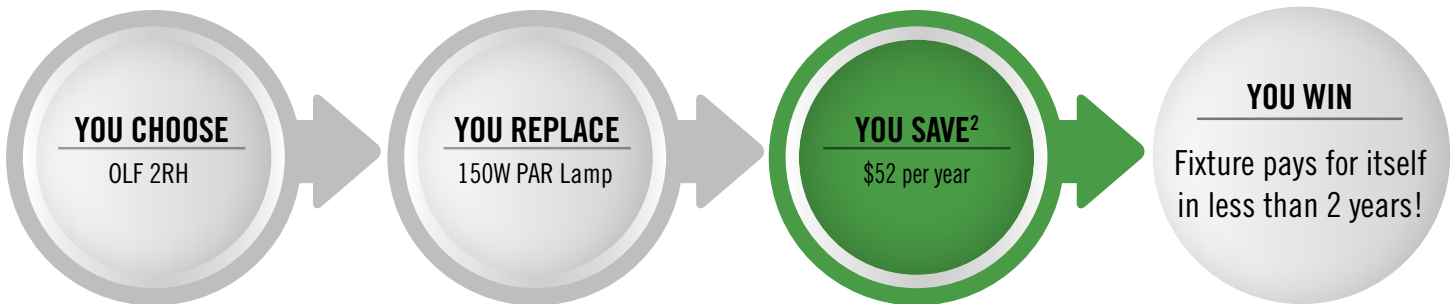
- 1600 lumens gets the attention of intruders
- 50,000 hour LED life¹
- LED module operates at 120V
- Available in neutral 4000K color temperature
- UL/CUL wet location listed for wall mounting above 4 feet from ground
- 180 degree forward detection zone with up to 70 ft detection range
- Lamp heads feature removable visors for maximum light output or "neighbor-friendly" shading
- Tool-less adjustments and removable lamp-head visors make set-up a snap

¹ LED lifespan based on IESNA LM-80-08 results and calculated per IESNA TM-21-11 methodology.

Product Dimensions



All dimensions are inches (centimeters) unless otherwise indicated.



² Based on 10 hours operation per day/365 days year and energy costs of \$.11 per kWh

ORDERING INFORMATION

Example: OLF 2RH 40K 120V MO BZ

Series	Light Heads	Color Temperature ¹	Voltage	Finish
OLF	2RH 2 heads, round	40K 4000K	120V 120V	MO PIR motion detection with photocell
				BZ Bronze
				WH White

Notes ¹ Nominal correlated color temperature (CCT) per ANSI C78.377-2008.



Frequently Asked Questions



Q. Can I control additional luminaires with the OLF 2RH 40K 120?

A. The OLF 2RH 40K 120 combines our OMS 1000 motion sensor with LED lamp heads. The OMS 1000 motion sensor has a 1000W LED switching capacity. So the OLF 2RH 40K 120 can control additional fixtures with a combination of wattages up to, but not exceeding, the 1000W LED capacity rating.

Q. What if I have mixed light sources? Does that matter when calculating total wattages?

A. Mixed light sources should not be controlled by the same sensor. The switching capacity shown assumes non-mixed light sources.

Q. How far away from the sensor will it detect motion?

A. The OLF 2RH 40K 120 has a detection range of up to 70 feet. However, this will vary based on mounting height, ambient temperature and other objects in detection zone.

Q. What is the detection zone?

A. The OLF 2RH 40K 120 has a 1800 forward detection zone.

Q. What is the difference between the OLF 2RH 40K 120 and the OFLR 6LC 120 MO? Why would I select one over the other?

A. Mixed light sources should not be controlled by the same sensor. The switching capacity shown assumes non-mixed light sources.

Q. How far away from the sensor will it detect motion?

A. While the OLF 2RH 40K 120 has higher lumens, the OFLR 6LC 120 MO incorporates the OMS 2000 motion sensor which has more features than the OMS 1000. The OMS 2000 motion sensor has “look-down” perimeter protection providing the best detection coverage. Additionally, the OMS 2000 motion sensor has a dusk-to-dawn setting which disables the motion sensor and keeps the light on continuously from dusk to dawn. The OLF 2RH 40K 120 is ideal when basic motion detection is needed and cost is critical. The OFLR 6LC 120 MO offers “look-down” perimeter detection for more complete protection.

Q. What is the recommended mounting height? And what happens if I exceed that?

A. The recommended mounting height is 6' to 12' from the ground. This gives the sensor the best field of view and helps prevent false activations. As the mounting height is increased the sensor must be pointed further downward reducing the detection range.

Q. Does the OLF 2RH 40K 120 operate in daylight?

A. No. The OLF 2RH 40K 120 includes a photocell which prevent daylight operation.

Q. What does “Manual Override” do?

A. Manual override disables the motion sensor and keeps the lights illuminated. It will reset to standard operation at dawn so the sensor is ready for operation the next night.

Q. Are the OLF 2RH 40K 120 CA-Title 24 compliant?

A. No. For Non-residential California Title 24 requires that all outdoor lighting, where the bottom of the luminaire is mounted 24 feet or less above the ground shall be controlled with automatic lighting controls that shall be capable of automatically reducing the lighting power of each luminaire by at least 40 percent but not exceeding 80 percent. The OLF 2RH 40K 120 provides only full ON/OFF control.

Q. Can the motion detection sensitivity be adjusted?

A. Yes, the sensitivity of the motion sensor can be adjusted to ensure proper operation.

Q. Is pricing available?

A. Yes, standard pricing is available in Agile and your Quotations Manager can assist with pricing for large opportunities.

Q. What is the standard lead time?

A. The OLF motion sensors will be kept in stock in our Los Angeles warehouse available for immediate shipment to your local DC.

Q. Are samples of this product available?

A. Standard product is available for trial through the Trial Installation Program.

Q. What is the warranty for the luminaire, components and finish?

A. OMS motion sensors is covered by the Acuity Brands Lighting 5-year limited Outdoor warranty. This warranty is located at www.acuitybrands.com/CustomerResources/Terms_and_conditions.aspx