



STAINLESS STEEL

Bar Sink & Ice Bin Combo NSF

18" and 21" Wide Units - Deep Drawn Bowls



SLC Series
18" Wide Units With
Splash Mount Faucets



CRC Series
21" Wide Units With
Deck Mount Faucets

Item #: _____	Qty #: _____
Model #: _____	
Project #: _____	

Featuring Deep Drawn Seamless Bowls



FEATURES:

- One piece **Deep Drawn** sink bowls measuring 10" x 14" x 10".
- Two embossed and seamless drainboards.
- One 24" x 15" x 8" insulated ice bin on either left or right side.
- Two injection molded plastic bottle racks.
- 4" backsplash.
- Galvanized legs with adjustable plastic bullet feet.
- Adjustable galvanized side cross-bracing.
- Molded apron for extra durability.

CRB Series has rear deck for extra storage

MECHANICAL:

SLC Series*: Includes 4" O.C., 10" splash mt. swing spout faucet.

CRC Series*: Includes 4" O.C., 12" deck mt. swing spout faucet.

All faucets meet federal lead free standards.

Each sink bowl includes 9" high overflow pipe with 1 1/2" IPS drain.

Ice bin includes 1" IPS drain.

MATERIAL:

Sink Bowls and Drainboards: 20 gauge, 300 stainless steel

Front Apron and Backsplash: 22 gauge, 300 stainless steel

Sides: 20 gauge, 430 stainless steel

Understructure: 22 gauge galvaneal front/back;
11 gauge electrogalvaneal leg channel

Legs: 1 5/8" O.D. 18 gauge, galvanized steel with adjustable plastic bullet feet

Ice Bin Insulation: 2 lbs. density styrofoam

OPTIONAL:

K-316-LU - Add wrist handles

SU-10A - 18" Stainless steel legs with cross-bracing

SU-18R or L - Right or left side splash for 18" wide sinks

SU-18RL - Right and left side splash for 18" wide sinks

SU-21R or L - Right or left side splash for 21" wide sinks

SU-21RL - Right and left side splash for 21" wide sinks

SU-40 - Prep unit for installation of speed rail

SU-68 - Omit corrugation on drainboard

	18" WIDE Model #	Approx. Weight	Approx. Cu. Ft.	21" WIDE Model #	Approx. Weight	Approx. Cu. Ft.	O.A. Length (A)	Drbd. Length (B)	Ice Bin Capacity
3 COMP.	SLC-73C-L or R	153 lbs.	23	CRC-73C-L	168 lbs.	28	84"	12" each	54 lbs.
	SLC-83C-L or R	201 lbs.	26	CRC-83C-L	213 lbs.	32	96"	18" each	54 lbs.
4 COMP.	SLC-84C-L* or R*	210 lbs.	26	CRC-84C-L*	222 lbs.	32	96"	12" each	54 lbs.

*4 Comp. Combo Bar Sinks Includes Two 6" Swing Spout Faucets

L And R Indicate Ice Bin Location.



Customer Service Available To Assist You 1-800-645-3166 8:30 am - 8:00 pm E.S.T.

For Orders & Customer Service:

Email: customer@advancetabco.com or Fax: 631-242-6900

For Smart Fabrication™ Quotes:

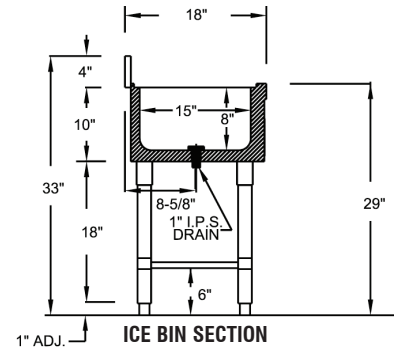
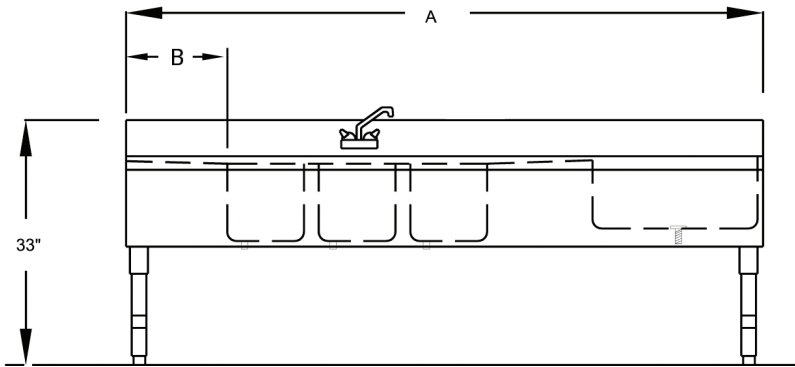
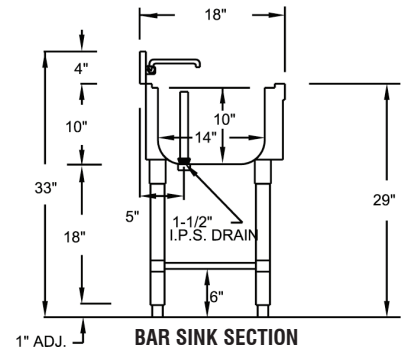
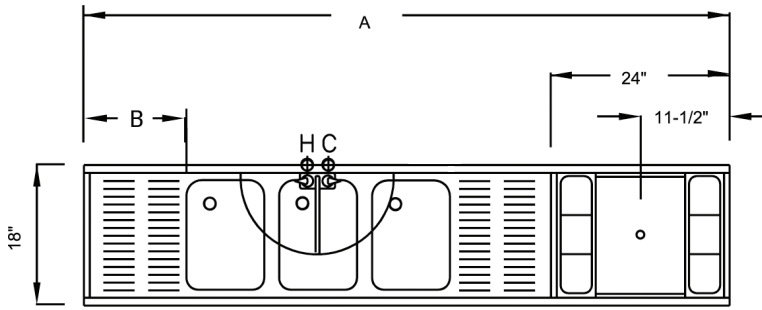
Email: smartfab@advancetabco.com or Fax: 631-586-2933

DIMENSIONS and SPECIFICATIONS

TOL Overall: ± .500" Interior: ± .250"

ALL DIMENSIONS ARE TYPICAL

SLC Series



CRC Series

