



# STAINLESS STEEL Beer Drainers 18" and 21" Wide Units



CRBD-2



Item #: \_\_\_\_\_ Qty #: \_\_\_\_\_  
 Model #: \_\_\_\_\_  
 Project #: \_\_\_\_\_

| 18" WIDE<br>Model # | Approx.<br>Weight | Approx.<br>Cu. Ft. | 21" WIDE<br>Model # | Approx.<br>Weight | Approx.<br>Cu. Ft. | O.A. Length<br>(A) | Dist. To Center<br>Of Column |
|---------------------|-------------------|--------------------|---------------------|-------------------|--------------------|--------------------|------------------------------|
| SLBD-18             | 32 lbs.           | 6                  | CRBD-18             | 33 lbs.           | 8                  | 18"                | 9"                           |
| SLBD-2              | 38 lbs.           | 7                  | CRBD-2              | 42 lbs.           | 8                  | 24"                | 12"                          |

### FEATURES:

- 3" x 6" rear column for beer lines.
- Embossed and seamless drainboard with drain.
- 7" backsplash.
- Galvanized legs with adjustable plastic bullet feet.
- Adjustable galvanized side cross-bracing.

### OPTIONAL:

- SU-10A - 18" stainless steel legs with cross-bracing
- SU-40 - Prep unit for installation of speed rail
- SU-68 - Omit corrugation on drainboard

### MATERIAL:

- Beer Column:** 16 gauge, 300 stainless steel
- Drainboard & Sides:** 20 gauge, 300 stainless steel
- Front Apron & Backsplash:** 22 gauge, 300 stainless steel
- Understructure:** 22 gauge galvaneal front/back; 11 gauge electrogalvaneal leg channel
- Legs:** 1 5/8" O.D. 18 gauge, galvanized steel with adjustable plastic bullet feet

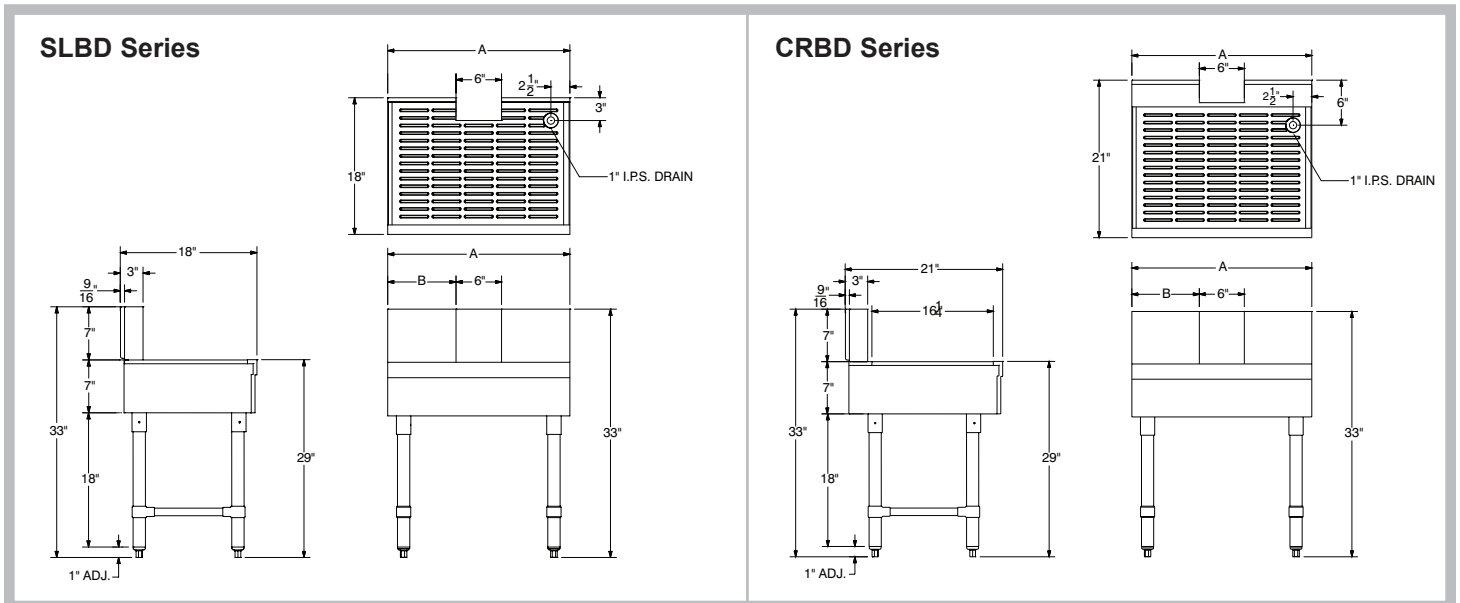
### MECHANICAL:

1" IPS drain

## DETAILS and SPECIFICATIONS

TOL Overall: ± .500" Interior: ± .250"

ALL DIMENSIONS ARE TYPICAL



Customer Service Available To Assist You 1-800-645-3166 8:30 am - 8:00 pm E.S.T.

For Orders & Customer Service:  
 Email: customer@advancetabco.com or Fax: 631-242-6900

For Smart Fabrication™ Quotes:  
 Email: smartfab@advancetabco.com or Fax: 631-586-2933