



# STAINLESS STEEL Ice Bins w/ Cold Plate 18" and 21" Wide Units



**SLI Series**  
18" Wide Units



**CRI Series**  
21" Wide Units

Item #: \_\_\_\_\_ Qty #: \_\_\_\_\_  
 Model #: \_\_\_\_\_  
 Project #: \_\_\_\_\_

**MATERIAL:**

**Ice Bin, Front Apron, Backsplash:** 22 gauge, 300 stainless steel  
**Sides:** 20 gauge, 430 stainless steel  
**Understructure:** 22 gauge galvaneal front/back; 11 gauge electrogalvaneal leg channel  
**Legs:** 1 5/8" O.D. 18 gauge, galvanized steel with adjustable plastic bullet feet  
**Ice Bin Insulation:** 2 lbs. density styrofoam  
**Cold Plate:** Cast aluminum with 7 circuits (5 syrup and 2 water lines) with 5/16" diameter stainless steel bump and swedge ends.

**MECHANICAL:**

1/2" IPS drain - cold plate bin

**FEATURES:**

- Insulated ice bins are 12" or 16" deep.
- 7-Circuit cold plate sealed into the bottom of ice bin.
- 4" backsplash.
- Two removable injection molded 3-pack plastic bottle racks.
- Galvanized legs with adjustable plastic bullet feet.
- Adjustable galvanized side cross-bracing.
- CRI Series** has rear deck for extra storage.

**NOTE: Bottle Racks Must Be Removed For NSF Compliance & For Use With Optional Cover.**

18" WIDE Model #	Approx. Weight	Approx. Cu. Ft.	21" WIDE Model #	Approx. Weight	Approx. Cu. Ft.	O.A. Length (A)	Dist. To Drain (B)	Ice Bin Depth (C)	O.A. Height of Bin (D)	O.A. Leg Height (E)	Inside Bin Width (F)	Ice Bin Capacity
<b>7-CIRCUIT COLD PLATE UNITS</b>												
SLI-12-24-7	88 lbs.	7	CRI-12-24-7	93 lbs.	8	24"	12"	<b>12" DEEP</b>	14"	14"	21 5/8"	77 lbs.
SLI-12-30-7	92 lbs.	11	CRI-12-30-7	95 lbs.	11	30"	15"		14"	14"	27 5/8"	98 lbs.
SLI-12-36-7	98 lbs.	13	CRI-12-36-7	102 lbs.	13	36"	18"		14"	14"	33 5/8"	119 lbs.
SLI-12-42-7	105 lbs.	13	CRI-12-42-7	108 lbs.	13	42"	21"		14"	14"	39 5/8"	140 lbs.
SLI-12-48-7	110 lbs.	14	CRI-12-48-7	119 lbs.	14	48"	24"		14"	14"	45 5/8"	161 lbs.
SLI-16-24-7	96 lbs.	7	CRI-16-24-7	103 lbs.	8	24"	12"	<b>16" DEEP</b>	18"	10"	21 5/8"	100 lbs.
SLI-16-30-7	104 lbs.	12	CRI-16-30-7	115 lbs.	12	30"	15"		18"	10"	27 5/8"	127 lbs.
SLI-16-36-7	112 lbs.	16	CRI-16-36-7	120 lbs.	17	36"	18"		18"	10"	33 5/8"	155 lbs.
<b>10-CIRCUIT COLD PLATE UNITS</b>												
SLI-12-30-10	132 lbs.	11	CRI-12-30-10	141 lbs.	11	30"	15"	<b>12" DEEP</b>	14"	14"	27 5/8"	98 lbs.
SLI-12-36-10	140 lbs.	13	CRI-12-36-10	149 lbs.	13	36"	18"		14"	14"	33 5/8"	119 lbs.
SLI-12-42-10	144 lbs.	13	CRI-12-42-10	153 lbs.	13	42"	21"		14"	14"	39 5/8"	140 lbs.
SLI-12-48-10	159 lbs.	14	CRI-12-48-10	168 lbs.	14	48"	24"		14"	14"	45 5/8"	161 lbs.
SLI-16-30-10	104 lbs.	12	CRI-16-30-10	115 lbs.	12	30"	15"	<b>16" DEEP</b>	18"	10"	27 5/8"	127 lbs.
SLI-16-36-10	112 lbs.	16	CRI-16-36-10	120 lbs.	17	36"	18"		18"	10"	33 5/8"	155 lbs.

**OPTIONAL:**

- SSC-12** - Sliding cover for 12" ice bin
- SSC-24** - Sliding cover for 24" ice bin
- SSC-30** - Sliding cover for 30" ice bin
- SSC-36** - Sliding cover for 36" ice bin
- SSC-42** - Sliding cover for 42" ice bin
- SSC-48** - Sliding cover for 48" ice bin



Optional Sliding Stainless Steel Cover Shown



**Customer Service Available To Assist You 1-800-645-3166 8:30 am - 8:00 pm E.S.T.**

For Orders & Customer Service:

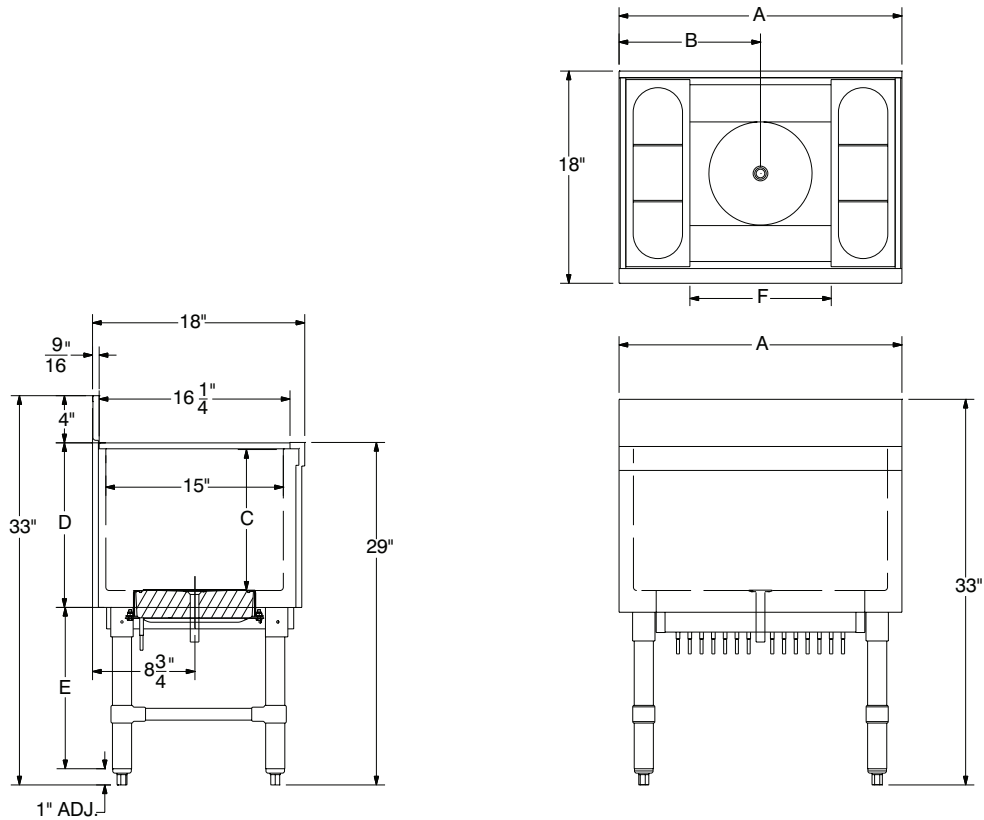
Email: customer@advancetabco.com or Fax: 631-242-6900

For Smart Fabrication™ Quotes:

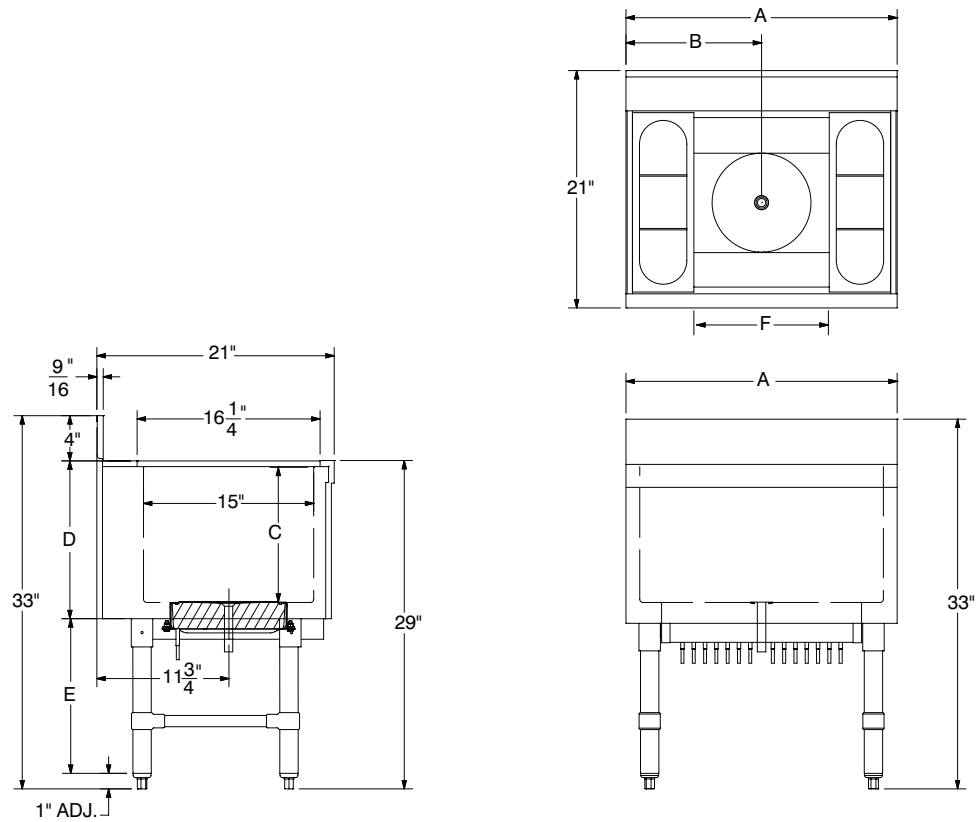
Email: smartfab@advancetabco.com or Fax: 631-586-2933

# DIMENSIONS and SPECIFICATIONS

## SLI-7 Series



## CRI-7 Series CRI-10 Series



ADVANCE TABCO is constantly engaged in a program of improving our products. Therefore, we reserve the right to change specifications without prior notice.