



# STAINLESS STEEL Frozen Drink Machine Stands

Item #: \_\_\_\_\_ Qty #: \_\_\_\_\_

Model #: \_\_\_\_\_

Project #: \_\_\_\_\_



SCFD-18



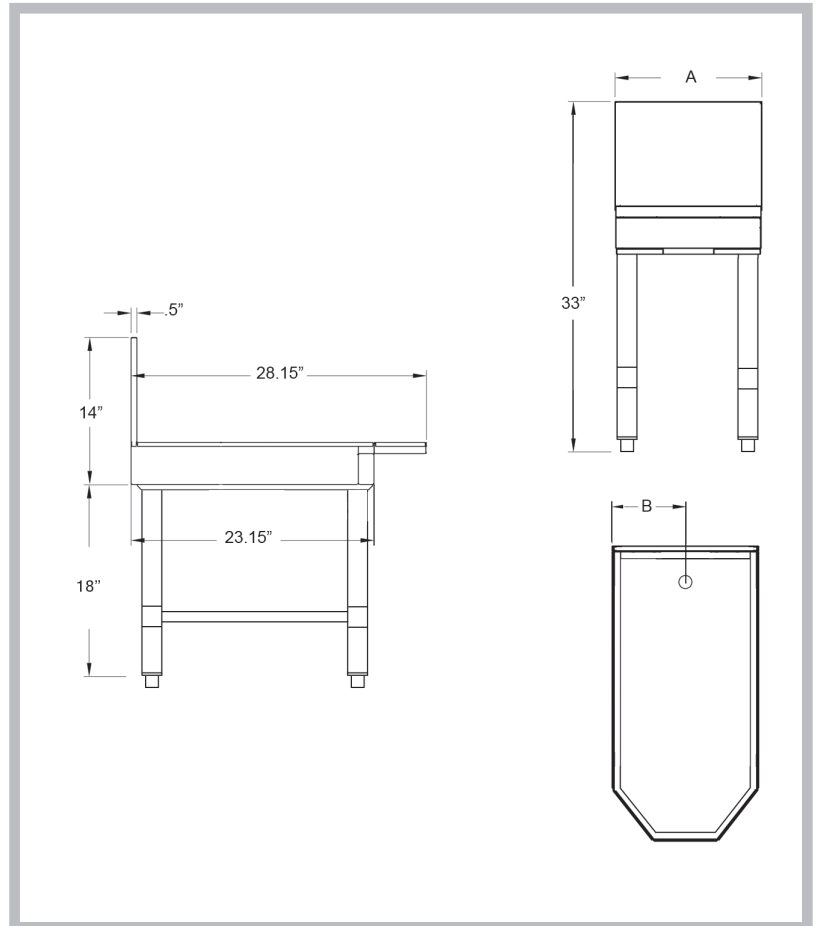
Model #	O.A. Length (A)	Drain Location (B)	Drink Machine Capacity	Approx. Weight	Approx. Cu. Ft.
SCFD-18	18"	9"	1	45 lbs.	10
SCFD-30	30"	15"	2	80 lbs.	18

Size Of Drink Machine Must Be Verified When Ordering.

## DETAILS and SPECIFICATIONS

TOL Overall: ± .500" Interior: ± .250"

ALL DIMENSIONS ARE TYPICAL



### FEATURES:

Lower working height to accommodate the height of most drink machines for underbar use.

Beveled front.

14" backplash.

10-1/2" working height.

Drain in the centered in the back of the unit.

Galvanized legs with adjustable plastic bullet feet.

Adjustable galvanized side cross-bracing.

### MATERIAL:

20 gauge, 300 stainless steel

**Top:** 18 gauge, 300 stainless steel

**Legs:** 1 5/8" O.D. 18 gauge, galvanized steel with adjustable plastic bullet feet

### MECHANICAL:

1" IPS drain

### OPTIONAL:

**SU-10A** - 18" stainless steel legs with cross-bracing



Customer Service Available To Assist You 1-800-645-3166 8:30 am - 8:00 pm E.S.T.

For Orders & Customer Service:

Email: [customer@advancetabco.com](mailto:customer@advancetabco.com) or Fax: 631-242-6900

For Smart Fabrication™ Quotes:

Email: [smartfab@advancetabco.com](mailto:smartfab@advancetabco.com) or Fax: 631-586-2933