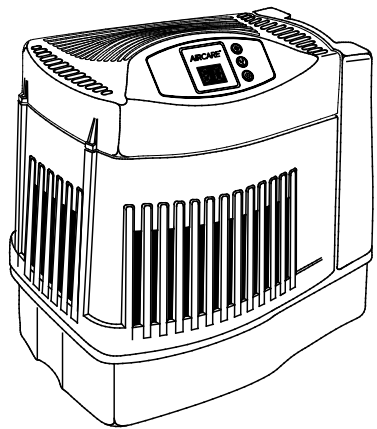


READ AND SAVE THESE INSTRUCTIONS

# AIRCARE®

## MINI-CONSOLE EVAPORATIVE HUMIDIFIER



## MODEL MA0800 USE AND CARE GUIDE

- ▶ Adjustable Humidistat
- ▶ Three Speed Fan
- ▶ Easy Bottle Fill

Français .....13  
Español ..... 25



TO ORDER PARTS AND ACCESSORIES CALL 1.800.547.3888

COMFORT IS IN THE AIR

# IMPORTANT SAFEGUARDS

## General Safety Instructions

### READ BEFORE USING YOUR HUMIDIFIER

**DANGER:** means if the safety information is not followed someone will be seriously injured or killed.

**WARNING:** means if the safety information is not followed someone could be seriously injured or killed.

**CAUTION:** means if the safety information is not followed someone may be injured.

1. To reduce the risk of fire or shock hazard, this humidifier has a polarized plug (one blade is wider than the other). Plug humidifier directly into a 120V, A.C. electrical outlet. Do not use extension cords. If the plug does not fully fit into the outlet, reverse plug. If it still does not fit, contact a qualified electrician to install the proper outlet. Do not change the plug in any way.
2. Keep the electric cord out of traffic areas. To reduce the risk of fire hazard, never put the electric cord under rugs, near heat registers, radiators, stoves or heaters.
3. Always unplug the unit before moving, cleaning or removing the fan assembly section from the humidifier, or whenever it is not in service.
4. Keep the humidifier clean. To reduce the risk of injury, fire or damage to humidifier, use only cleaners specifically recommended for humidifiers. Never use flammable, combustible or poisonous materials to clean your humidifier.
5. Do not put foreign objects inside the humidifier.
6. Do not allow unit to be used as a toy. Close attention is necessary when used by or near children.
7. To reduce the risk of electrical hazard or damage to humidifier, do not tilt, jolt or tip humidifier while unit is running.
8. To reduce the risk of accidental electrical shock, do not touch the cord or controls with wet hands.
9. To reduce the risk of fire, do not use near an open flame such as a candle or other flame source.

**WARNING:** For your own safety, do not use humidifier if any parts are damaged or missing.

**WARNING:** To reduce risk of fire, electric shock, or injury always unplug before servicing or cleaning.

**WARNING:** To reduce the risk of fire or shock hazard, do not pour or spill water into control or motor area. If controls get wet, let them dry completely and have unit checked by authorized service personnel before plugging in.

# INTRODUCTION

Your new humidifier adds invisible moisture to your home by moving dry inlet air through a saturated wick. As air moves through the wick, the water evaporates into the air, leaving behind any white dust, minerals, or dissolved and suspended solids. Because the water is evaporated, there is just clean and invisible moist air.

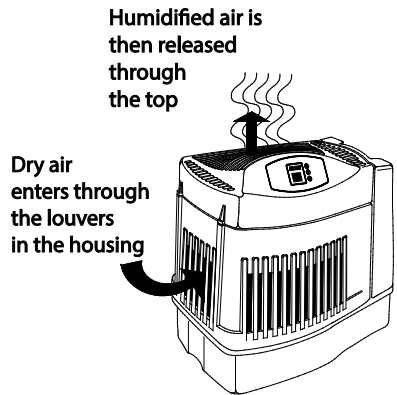
As the evaporative wick traps accumulated minerals from the water, its ability to absorb and evaporate water decreases. We recommend changing the wick at the beginning of every season. In hard water areas, more frequent replacement may be necessary to maintain your humidifier's efficiency.

Use only AIRCARE® or Essick Air® brand replacement wicks and chemicals. To order parts, wicks and chemicals call 1-800-547-3888. The MA0800 humidifiers use wick # MAF 2. Only the AIRCARE® or Essick Air® /MoistAIR® evaporative wick guarantees the certified output of your humidifier. Use of other brands of wicks voids the certification of output and may void your warranty.

## HOW YOUR HUMIDIFIER WORKS

Dry air is drawn into the sides of the humidifier, then air is moisturized as it passes through the saturated evaporative wicking filter in the reservoir.

The humidified air is then released through top of the unit.



Description	MA0800
*Output per 24 hrs	8 gallons/30.2 Litres
Capacity of Bottle	1.2 gallons/4.54 Litres
Capacity of Base	1.2 gallons/4.54 Litres
Sq. ft. coverage	2500 (Tight Const.) 1700 (Avg. Const.)
Fan Speeds	3
Replacement Wicking Filter	MAF2
Adjustable Humidistat	Yes
Refill Indication	Yes
Controls	Digital
Rubber feet	Yes (6)
ETL Listed	Yes
Volts	60
Hertz ( High Speed)	1.2
Amps (High Speed)	81

\* Based on an area with average insulation and an 8' ceiling height ANSI/AHAM HU-1-1997. SEC. 8.1. Results may vary.

## NOTES ON LOCATION:

In order to get the most effective use from your humidifier, it is important to position the unit where the most humidity is needed or where the moist air will be circulated throughout the house such as near a cold air return. If the unit is positioned close to a window, condensation may form on the window pane. If this occurs the unit should be repositioned in another location.

Do NOT position the unit directly in front of a hot air duct or radiator. Do NOT place on soft carpet.

Due to the release of cool, moist air from the humidifier, it is best to direct air away from thermostat and hot air registers. Position humidifier next to an inside wall on a level place at least 4 inches away from the wall or curtains.

## ASSEMBLY

- 1) Unpack humidifier from carton.
- 2) Remove all packaging materials. Check to see that you have all of the following items removed from the box, accessory kit and cabinet before discarding the packaging:
  - Evaporative wicking filter
  - Manual

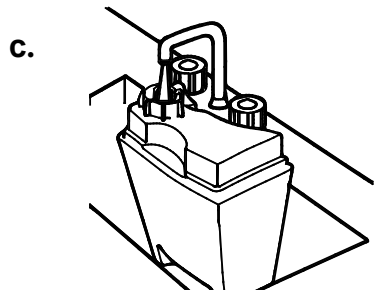
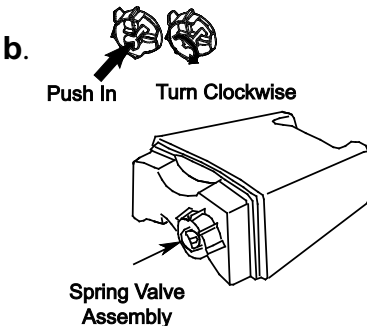
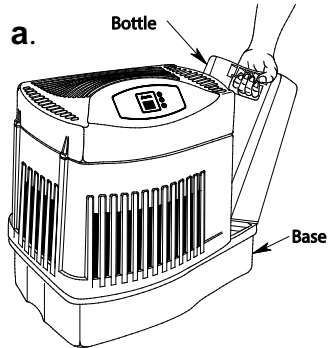
## WATER FILL

**CAUTION: Before filling, ensure unit is turned OFF. Keep grille dry at all times.**

**WARNING:** To reduce the risk of fire or shock hazard, DO NOT pour or spill water into control or motor area. If controls get wet, let them dry completely and have unit checked by authorized service personnel before plugging in.

After the humidifier is positioned where it will be operating you are ready to fill the humidifier. The bottle lifts straight up and away from the base. Take care not to bump or damage fill valve assembly on the bottom of the bottle.

Invert the bottle. Press the valve stem button into the bottle and turn clockwise to lock in open position. Place bottle under the faucet. Fill the bottle, being careful not to allow any debris to get in the bottle. Debris may interfere with the valve seating. Once the bottle is full, press the valve stem button and turn counter clockwise to release and close.



**CAUTION:** Use only EPA Registered Bacteriostat. **Under no circumstances should you use Water Treatment products intended for Rotobelt or Ultrasonic humidifiers.**

**NOTE:** We recommend using AIRCARE® or Essick Air® Bacteriostat Treatment PN 1970 when you refill the water reservoir to eliminate bacterial growth. Add bacteriostat according to the instructions on the bottle.

Place the water bottle back into the humidifier base. When positioned properly, the plunger will open and the water will flow into the base. The base will hold the entire contents of the water bottle. Once the bottle is empty, remove it and repeat the filling process. The humidifier is now filled to capacity. To benefit from less frequent filling let the humidifier exhaust both the water from the bottle and the base before filling.

**ABOUT HUMIDITY**

Where you set your desired humidity levels depends on your personal comfort level, the outside temperature and the inside temperature.

**NOTE:** Recent CDC tests show that the chances of flu transmission are greatly reduced at levels of 43% humidity.

You may wish to purchase a hygrometer\* to measure the humidity level in your home. The following is a chart of recommended humidity settings.

IMPORTANT: Water damage may result if condensation starts to form on windows or walls. Humidity SET point should be lowered until condensation no longer forms. We recommend room humidity levels do not exceed 50%.

When Outdoor Temperature is:		Recommended Indoor Relative Humidity (RH) is
°F	°C	
-20	-30°	15 - 20%
-10°	-24°	20 - 25%
2°	-18°	25 - 30%
10°	-12°	30 - 35%
20°	-6°	35 - 40%
30°	-1°	40 - 45%

\*Model 1990 digital hygrometer is available for purchase by calling 1-800-547-3888.

**NOTE:** External hygrometer readings and humidistat readings may differ. Humidity levels can vary significantly even in one room.

**OPERATION**

Plug cord into wall receptacle. Your humidifier is now ready for use. The humidifier should be placed at least FOUR inches away from any walls and away from heat registers. Unrestricted airflow into the unit will result in the best efficiency and performance.

This unit has an automatic humidistat located in the cord that senses the humidity level around the immediate area of the humidifier. It causes the humidifier to cycle on and off to maintain the selected humidity **SET** point. The fan will turn on when the humidity reading falls 3% below the **SET** point and will continue to run the humidifier until a reading of 1% above the **SET** point is achieved.

## CONTROL PANEL

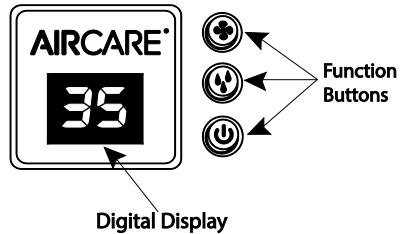
### Digital Display

Press the power button once to turn the unit on\*. Initially there is a slight delay while the electronics calibrate.

Two bars (- -) appear during this time. Once calibration is complete a **ROOM** humidity reading between 20% - 95% will be displayed. A flashing 20 display indicates that the room humidity is less than 20%.

**NOTE:** The default settings at initial startup are **(LOW) F1** fan speed and **65% SET** humidity. After desired settings are selected by the user, they remain as long as the unit remains plugged in and there is no power interruption. When the unit is unplugged, the **original** default settings are reinstated.

\* Humidifier fan should operate at initial start up. If it does not, refer to "Fan not operating (digital display is illuminated n Trouble Shooting Table."



### HUMIDITY SETTING.

This button allows you to adjust the humidity to suit your needs. This humidifier will automatically cycle on and off as required to maintain the selected setting.



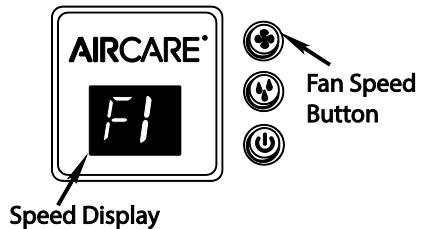
The readout displays both actual (**ROOM**) and desired (**SET**) humidity percentage (%) settings when humidity control button is pressed. The **ROOM** readout has a range of 20% to 95% Relative Humidity (RH). If the room humidity level is equal to or less than 20% RH the display will show a flashing 20. The **SET** readout has a range of 25% to 65% RH and is adjusted in increments of 5%. Initially depressing the humidity button will display the current humidity setting. Each additional press of the button increases the setting by 5%. A **SET** point of 65% RH operates the humidifier continuously regardless of the **ROOM** reading. The humidistat that senses the readings is located on the power cord. Insure that it is free from obstruction.

### FAN SPEED

This humidifier is equipped with a 3-speed fan control. Initially depressing the speed button will display the current speed setting. Each push of the speed button advances the mode through the settings of **(HIGH) F3, (MEDIUM) F2 and (LOW) F1**.

The selected setting is displayed on the digital readout. The higher the setting, the faster water is evaporated and released into the air. **F1 (LOW)** is the quietest setting and is provided for conditions that do not require a rapid evaporation rate.

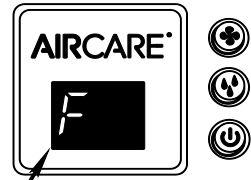
**NOTE:** When excessive condensation exists, a lower speed setting is recommended.



## REFILL INDICATION

When both the bottle and the base are empty, the display alternates the room humidity reading and **(FILL)**, indicating additional water is required.

At this time and refill unit according to the instructions in the WATER FILL section.



Refill Display

## CHECK FILTER INDICATOR

The ability of any humidifier to efficiently supply humidity output relies heavily on the condition of the filter. As the wicking filter loads with impurities it gradually loses its wicking capability. When this happens, moisture output is reduced and the humidifier has to work longer to satisfy the selected setting.

This humidifier has a check filter reminder timed to appear after 720 hours of operation. When the display shows an alternating “CF” and “room humidity” setting at 5 second intervals it is a reminder to check the filter condition.

**NOTE:** Some areas have high water mineral content causing the need for more frequent wicking filter changes.

Reset the Check Filter “CF” function each time you replace a filter by unplugging the unit from the power source, then plug it in again.

Refer to REPLACEMENT OF WICKING FILTER if a build-up of deposits or severe discoloration is evident replace the to restore maximum efficiency.

## REPLACEMENT OF WICKING FILTER

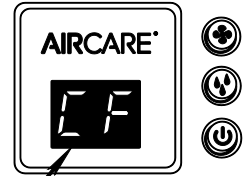
**CAUTION:** Before changing wicking filter, ensure unit is turned OFF.

**CAUTION:** To help prevent bacteria growth and keep maximum efficiency, the wicking filter should be replaced at least once per season, or more often under hard water conditions. Use AIRCARE®/Essick® /MoistAIR® MAF2 replacement wicking filter.

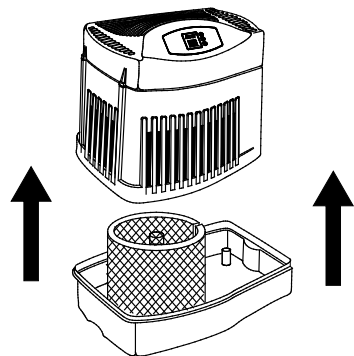
Replace the evaporative wicking filter at least once per humidification season or more depending on water conditions in your area.

### Wicking Filter Replacement

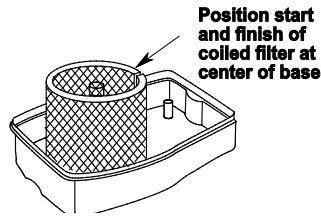
1. Unplug humidifier. Before removing the filter, we recommend moving the humidifier to an area where floor coverings are not susceptible to water damage (i.e. kitchen or bath areas.)
2. Remove the water bottle and set aside. Be sure not to bump or damage the fill valve.



Check Filter indication



3. Grasp the housing assembly and lift straight up and away from the base and set aside. The wicking filter is now accessible.
4. Take note of the filter position. Remove the filter. You may want to clean the base at this time. See the "Care and Maintenance" section of this manual.



5. Install a new wicking filter (MAF2) into the base. Coil the filter and position it between the uprights in the bottom of the base. The start and finish of the coil should be captured at the center of the base (see diagram) and the filter should be resting on the floor of the base.
6. Return the housing assembly to the top of the base. Reposition the humidifier to its operating position.

## CARE AND MAINTENANCE

**Cleaning your humidifier regularly helps eliminate odors and bacterial and fungal growth.** Ordinary household bleach is a good disinfectant and can be used to wipe out the humidifier base and bottle/reservoir after cleaning. We recommend cleaning your humidifier at least once every two weeks to maintain optimum environmental conditions for your home. **We also recommend using AIRCARE® or Essick Air® Bacteriostat Treatment each time you refill your humidifier to eliminate bacterial growth.** Add bacteriostat according to the instructions on the bottle. Please call 1-800-547-3888 to order Bacteriostat Treatment, PN 1970 or wicks.

- 1) Turn off unit completely and unplug from outlet.
- 2) Lift off the chassis.
- 3) Carry the base to cleaning basin. Lift wick from the base allowing the water to drain. Rinse wick under freshwater only. Do not use soap, detergent, or any other cleaners on the wick. Leave in sink to drain.

### REMOVING SCALE

- 4) Pour out any remaining water from the unit. Fill base and bottle ½ full with water and add 8 oz. (1 cup) of undiluted white vinegar. Let stand 20 minutes.
- 5) Dampen a soft cloth with white vinegar and wipe out reservoir to remove scale. Rinse the water bottle and base thoroughly with fresh water to remove scale and cleaning solution before disinfecting.

### DISINFECTING UNIT

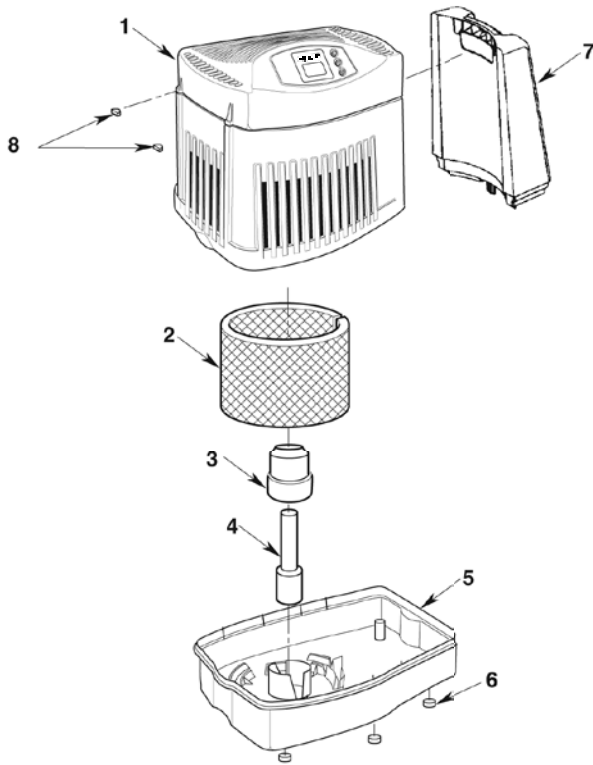
- 6) Fill the bottle and base ½ full with water and add 1 teaspoon of bleach. Let solution stay for 20 minutes, then rinse with water until bleach smell is gone. Dry interior surfaces with clean cloth. Wipe down the outside of the unit with a soft cloth dampened with fresh water.
- 7) Refill unit and reassemble per **ASSEMBLY** instructions.

### SUMMER STORAGE

- 1) Clean unit as outlined in Care & Maintenance section.
- 2) Discard used wick and any water in the bottle or base. Allow to dry thoroughly before storage. **Do not** store with water inside unit.
- 3) Do not store unit in an attic or other high-temperature area, as damage is probable.
- 4) Install new filter at beginning of season.



# REPAIR PARTS LIST



ITEM NO.	DESCRIPTION	MA0800 PART NO.
1	1B72774	Top Assembly
2	MAF2	† Filter
3	831188-1	Support, Float
4	831189	Float, Reservoir
5	831187-1	Base
6	831190	Foot, Rubber
7	831199	Bottle Assembly
8	831207	Cap, Screw
9	1B72771	Owner's Manual (not shown)

Order by part number, not by item number. To order, call: 1-800-547-3888

† Stock item - Purchase locally or call 1-800-547- 3888 from the USA or 1-888-744-4689 from Canada to order.

- Any attempt to repair the control assembly or motor voids the warranty and may create a hazard unless repair is done by a qualified service technician.

To order parts, call: USA 1-800-547 3888 or in Canada: 1-888-744-4687

## TROUBLESHOOTING GUIDE

Trouble	Probable Cause	Remedy
Digital display not illuminated.	<ul style="list-style-type: none"> <li>No Power.</li> <li>Power button has not been depressed.</li> </ul>	<ul style="list-style-type: none"> <li>Check 120 volt power source.</li> <li>Press power button once to turn on.</li> </ul>
Fan not operating (digital display is illuminated).	<ul style="list-style-type: none"> <li><b>ROOM</b> humidity level is not 3% or more below <b>SET</b> humidity level.</li> <li>Reservoir is empty.</li> </ul>	<ul style="list-style-type: none"> <li>Raise <b>SET</b> humidity level if desired.</li> <li>Increase fan speed.</li> <li>Fill humidifier with water.</li> </ul>
Fan running continuously.	<ul style="list-style-type: none"> <li><b>SET</b> humidity level is 65%.</li> <li><b>ROOM</b> humidity level has not reached 1% or more above <b>SET</b> humidity level.</li> </ul>	<ul style="list-style-type: none"> <li>A <b>SET</b> humidity percentage of 65% operates fan continuously. Adjust <b>SET</b> level between 25% - 60%.</li> <li>Continue to run until desired humidity level is achieved. This may take up to 48 hours initially.</li> </ul>
Poor evaporation of water.	<ul style="list-style-type: none"> <li><b>CHECK FILTER (CF)</b> message flashing.</li> <li>Mineral buildup on wicking filter.</li> </ul>	<ul style="list-style-type: none"> <li>Change to a fresh new wicking filter.</li> <li><b>NOTE:</b> Local water varies from area to area and under certain conditions minerals will build up more rapidly in the wicking filter.</li> </ul>
Bottle empties completely	<ul style="list-style-type: none"> <li>This is normal for initial filling</li> </ul>	<ul style="list-style-type: none"> <li>Refill bottle for maximum run time.</li> </ul>
Bottle continues to empty after complete filling.	<ul style="list-style-type: none"> <li>Air is entering water bottle.</li> </ul>	<ul style="list-style-type: none"> <li>Check for leak in water bottle.</li> <li>Ensure fill valve position is turned to closed and valve has no interfering debris.</li> </ul>
Bottle not emptying.	<ul style="list-style-type: none"> <li>Spring Valve Assembly damaged or missing post in bottom of base.</li> <li>Base full of water.</li> </ul>	<ul style="list-style-type: none"> <li>Check position of bottle. Reposition so that fill valve on bottom of bottle is depressed by post in bottom of base.</li> <li>The base will hold the contents of water bottle (1.2gallons). Continue to run humidifier to deplete water from base.</li> </ul>
“ <b>CF</b> ” message does not appear even when filter is dirty or humidifier performance is clearly reduced.	<ul style="list-style-type: none"> <li>Loss of power or a power failure has caused the <b>CF</b> message to prematurely reset.</li> </ul>	<ul style="list-style-type: none"> <li>Replace wicking filter.</li> </ul>
Display blinks or fan moves slightly when humidifier is plugged in.	<ul style="list-style-type: none"> <li>Normal</li> </ul>	<ul style="list-style-type: none"> <li>No action required.</li> </ul>
Alternating “ <b>F</b> ” and room humidity displayed.	<ul style="list-style-type: none"> <li>Reservoir is empty.</li> </ul>	<ul style="list-style-type: none"> <li>Fill humidifier with water.</li> </ul>
Alternating “ <b>CF</b> ” and room humidity displayed.	<ul style="list-style-type: none"> <li>Wicking filter may be dirty.</li> </ul>	<ul style="list-style-type: none"> <li>Replace wicking filter.</li> <li>Unplug unit for 30 seconds and replug in to clear display.</li> </ul>

## **HUMIDIFIER WARRANTY POLICY – EFFECTIVE JANUARY 1, 2014:**

### **SALES RECEIPT REQUIRED AS PROOF OF PURCHASE FOR ALL WARRANTY CLAIMS.**

This product is warranted against defects in workmanship and materials from date of sale on factory installed components as listed below:

2 years - on control, motor and cabinet.

1 year - factory installed parts/components such as bottles & bottle caps.

Thirty (30) days on wicks and filters.

### **This warranty applies only to the original purchaser of the product when it is purchased from a reputable retailer/dealer.**

This warranty does not apply to damage from accident, misuse, alterations, unauthorized repairs, unauthorized use, mishandling, unreasonable use, abuse, including failure to perform reasonable maintenance, normal wear and tear, nor where the connected voltage is more than 5% above the nameplate voltage, nor to the equipment or products being improperly installed or wired or maintained in violation of this Owner's Manual.

Alterations include the substitution of name brand components including, but not limited to wicks and bacteria treatment.

THIS PRODUCT IS NOT INTENDED FOR COMMERCIAL USE. THIS IS THE SOLE AND EXCLUSIVE WARRANTY GIVEN BY MANUFACTURER WITH RESPECT TO THE PRODUCTS AND, TO THE MAXIMUM EXTENT PERMITTED BY LAW, IS IN LIEU OF AND EXCLUDES ALL OTHER WARRANTIES AND CONDITIONS, EXPRESS OR IMPLIED, ARISING BY OPERATION OF LAW OR OTHERWISE. INCLUDING, WITHOUT LIMITATION, MERCHANTABILITY AND/OR FITNESS FOR A PARTICULAR PURPOSE.

No employee, agent, dealer or other person is authorized to give any warranties or conditions on behalf of the manufacturer. The customer shall be responsible for all labor costs incurred.

**Within the limitations of this warranty, purchaser with inoperative units should contact customer service @ 800-547-3888 for instructions on how to obtain replacement parts within warranty as listed above. A copy of the sales receipt is required before warranty on any part is considered valid.** The manufacturer will replace the defective part/product, at its discretion, with return freight paid by the manufacturer. It is agreed that such replacement is the exclusive remedy available from the manufacturer and that TO THE MAXIMUM EXTENT PERMITTED BY LAW, THE MANUFACTURER IS NOT RESPONSIBLE FOR DAMAGES OF ANY KIND, INCLUDING INCIDENTAL AND CONSEQUENTIAL DAMAGE OR LOSS OF PROFITS OR REVENUES.

**This warranty will be null & void if purchaser attempts to repair or replace any parts which are mechanical or electrical.**

The warranty gives the customer specific legal rights, and the customer may also have other rights which vary from province to province, or state to state.

*Intentionally left blank.*

*Intentionnellement laissée en blanc.*

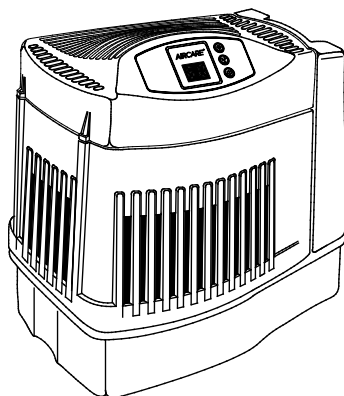
*Dejada en blanco intencionalmente.*

# AIRCARE

## MINI-CONSOLE HUMIDIFICATEUR À ÉVAPORATION

### MODÈLE MA0800 MANUEL D'UTILISATION ET D'ENTRETIEN

- ▶ Humidostat réglable
- ▶ Ventilateur à trois vitesses
- ▶ Remplissage aisé du réservoir



Anglais ..... 1  
Espagnol ..... 25



POUR COMMANDER DES PIÈCES ET DES ACCESSOIRES  
APPELEZ LE 1.800.547.3888

# MISES EN GARDE IMPORTANTES

## Consignes générales de sécurité

### À LIRE AVANT D'UTILISER VOTRE HUMIDIFICATEUR

**DANGER** : signifie que si les consignes de sécurité ne sont pas respectées, quelqu'un sera gravement blessé ou tué.

**AVERTISSEMENT** : signifie que si les consignes de sécurité ne sont pas respectées, quelqu'un risque d'être gravement blessé ou tué.

**PRUDENCE** : signifie que si les consignes de sécurité ne sont pas respectées, quelqu'un sera peut-être blessé.

1. Pour réduire le risque d'incendie ou de choc électrique, cet humidificateur possède une fiche polarisée (une broche est plus large que l'autre). Branchez l'humidificateur directement dans une prise électrique de 120 V, AC. N'utilisez pas de rallonges. Si la fiche n'entre pas complètement dans la prise, inversez la fiche. Si elle ne rentre toujours pas, contactez un électricien qualifié pour installer une prise adéquate. Ne modifiez la fiche en aucun cas.
2. Ne laissez pas traîner le cordon électrique dans des passages très fréquentés. Pour réduire le risque d'incendie, ne placez jamais le cordon électrique sous un tapis, ou à proximité d'une bouche de chaleur, d'un radiateur, d'un four ou d'un appareil de chauffage.
3. Débranchez toujours l'appareil avant de le déplacer, le nettoyer ou de retirer l'ensemble de ventilation, ou chaque fois qu'il n'est pas en service.
4. Veillez à ce que l'humidificateur reste propre. Pour réduire le risque de blessure, d'incendie ou de dommages à l'humidificateur, utilisez uniquement des produits de nettoyage spécialement recommandés pour les humidificateurs. N'utilisez jamais de matériaux inflammables, combustibles ou toxiques pour nettoyer votre humidificateur.
5. Ne placez pas de corps étrangers à l'intérieur de l'humidificateur.
6. Ne laissez pas des enfants se servir de cet appareil comme d'un jouet. Il faut faire très attention quand cet appareil est utilisé par des enfants ou à proximité d'enfants.
7. Pour réduire le risque de danger électrique ou d'endommagement de l'humidificateur, n'inclinez pas, ne heurtez pas et ne faites pas basculer l'humidificateur quand il est en marche.
8. Pour réduire le risque de choc électrique accidentel, ne touchez pas le cordon ou les commandes avec les mains mouillées.
9. Pour réduire le risque d'incendie, n'utilisez pas l'humidificateur près d'une flamme nue comme une bougie ou une autre source de flamme.

**AVERTISSEMENT** : Pour votre propre sécurité, n'utilisez pas l'humidificateur si des pièces sont endommagées ou manquantes.

**AVERTISSEMENT** : Pour réduire les risques d'incendie, de choc électrique ou de blessure, débranchez toujours l'appareil avant d'effectuer une réparation ou un nettoyage.

**AVERTISSEMENT** : Pour réduire le risque d'incendie ou de choc électrique, ne versez pas et ne renversez pas d'eau dans la zone des commandes ou du moteur. Si les commandes sont mouillées, laissez-les sécher complètement et faites vérifier l'unité par du personnel d'entretien autorisé. avant de brancher l'appareil.

## INTRODUCTION

Votre nouvel humidificateur ajoute de l'humidité dans la maison en faisant passer de l'air sec à travers un filtre à mèche saturée. Au fur et à mesure que l'air passe au travers du filtre à mèche, l'eau s'évapore dans l'air en laissant derrière elle toutes poussières blanches, minéraux et solides dissous ou en suspension. Puisque l'eau est évaporée, il n'y a que de l'air humidifié, propre et invisible.

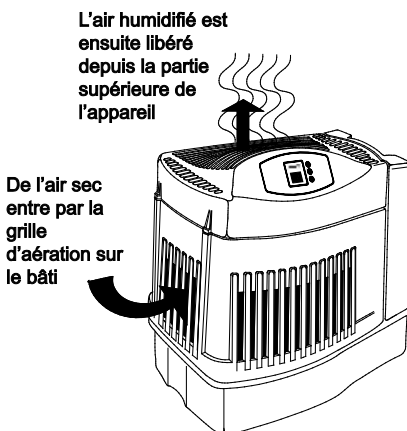
Au fur et à mesure que le filtre à mèche d'évaporation emprisonne et accumule les minéraux contenus dans l'eau, sa capacité d'absorption et d'évaporation d'eau diminue. Nous recommandons de changer le filtre à mèche au début de chaque saison. Dans les régions où l'eau est dure, un remplacement plus fréquent peut être nécessaire afin de maintenir l'efficacité de votre humidificateur.

N'utilisez que des produits chimiques et filtres à mèche AIRCARE® ou Essick Air®/MoistAIR® en remplacement. Pour commander des pièces, filtres à mèche et produits chimiques, appelez le 1-800-547-3888. Cet humidificateur utilise MAF 2. Seuls les filtres à mèche d'évaporation de marque AIRCARE® ou Essick Air®/MoistAIR® garantissent le meilleur rendement de votre humidificateur. L'utilisation de filtres à mèche d'autres marques nuit aux performances de l'appareil et peut annuler votre garantie.

## COMMENT FONCTIONNE VOTRE HUMIDIFICATEUR

L'air sec est aspiré à travers la grille de retour de l'humidificateur, puis est humidifié au fur et à mesure de son passage à travers le filtre à mèche saturée dans le réservoir.

L'air humidifié est ensuite libéré à travers la grille supérieure.



Description	MA0800
*Débit par 24 h	8 gallons/30,2 litres)
Capacité d'eau	4,8 gallons/9 litres
Couverture en pieds carrés	2500 (constr. étanche)
	1700 (constr. norm.)
Vitesses de ventilation	3
Filtre à mèche de rechange	MAF2
Humidostat automatique	Oui
Fermeture automatique	Oui
Commandes	Électroniques (bouton-poussoirs)
Pieds en caoutchouc	6
Certification ETL/CETL	Oui
Volts	120 (c.a.)
Hertz 60	60
Ampères (haute vitesse)	1,2
Watts (haute vitesse)	81

\* Pour une pièce avec isolation moyenne et un plafond à une hauteur de 8 pieds, selon la norme ANSI/AHAM HU-1-1997. SEC. 8.1. Les résultats peuvent varier.

## REMARQUES SUR L'EMPLACEMENT :

Afin de tirer le meilleur parti de votre humidificateur, il est important de placer l'appareil à un endroit où le plus d'humidité est nécessaire ou là où l'air humide circulera dans toute la maison comme à proximité d'un retour d'air froid.

Si l'appareil est placé près d'une fenêtre, de la condensation peut se former sur la vitre. Si cela se produit, il faut déplacer l'appareil.

Ne placez PAS l'appareil directement devant une bouche d'air chaud ou un radiateur. NE le placez PAS sur de la moquette ou un tapis.

Du fait que de l'air humide et frais est libéré de l'humidificateur, il est préférable de ne pas diriger l'air vers un thermostat ou des bouches d'air chaud.

Placez l'humidificateur à côté d'un mur intérieur sur une surface plane à au moins 4 pouces (10 cm) du mur ou des rideaux.

## ASSEMBLAGE

- 1) Déballiez l'humidificateur.
- 2) Retirez tous les matériaux d'emballage. Vérifiez que vous disposez de tous les éléments suivants retirés des boîtes, du kit d'accessoires et de la base avant de jeter l'emballage :
  - Filtre à mèche
  - Manuel

## REMPLEISSAGE D'EAU

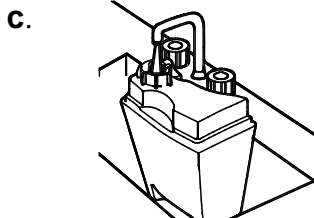
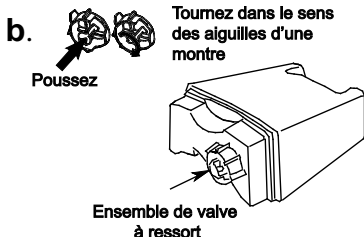
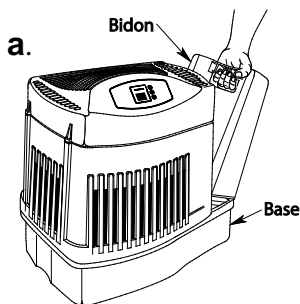
**AVERTISSEMENT: Éteignez l'appareil avant l'unité de remplissage. Grille garder à tout moment.**

**AVERTISSEMENT :** pour réduire le risque d'incendie ou de choc électrique, ne versez pas (et ne renversez pas) d'eau sur les commandes ou sur le moteur. Si les commandes sont mouillées, laissezles sécher complètement et faites inspecter l'appareil par un réparateur agréé avant de le rebrancher

Une fois que l'humidificateur aura été positionné à l'emplacement où il sera utilisé, vous devrez alors le remplir. Le bidon doit être soulevé tout droit pour être retiré de la base. Prenez soin de ne pas heurter ou endommager le capuchon de remplissage à valve situé sur le dessous du bidon.

Renversez le bidon. Poussez le bouton de la tige de soupape dans le bidon et faites-le tourner dans le sens des aiguilles d'une montre pour le verrouiller dans la position ouverte.

Placez le bidon sous un robinet. Remplissez le bidon en prenant soin de ne pas laisser de débris pénétrer dans le bidon, car les débris risquent d'empêcher la valve de s'asseoir correctement. Une fois que vous aurez rempli la bouteille, appuyez sur le bouton de la tige de soupape et faites-le tourner dans le sens inverse des aiguilles d'une montre pour le libérer et le fermer.





**MISE EN GARDE:** utilisez uniquement un bactériostatique agréé par l'EPA. Nous recommandons l'utilisation d'AIRCARE® ou du traitement bactériostatique d'Essick Air® à chaque remplissage de l'humidificateur afin d'éliminer la croissance bactérienne. Ajoutez le produit de traitement selon les instructions figurant sur le récipient. Veuillez appeler le 1-800-547-3888 pour commander le traitement bactériostatique, sous le numéro de produit 1970.

**Vous ne devez en aucun cas utiliser des produits de traitement de l'eau conçus pour des humidificateurs d'air ultrasoniques ou de type « Roto Belt ».**

Placez le bidon rempli d'eau sur la base. Quand le bidon est bien positionné, le plongeur s'ouvre et l'eau coule dans la base. La base est assez grande pour contenir toute l'eau du bidon. Une fois que le bidon est vide, retirez-le et remplissez-le encore une fois. L'humidificateur est maintenant rempli au maximum. Pour avoir à remplir le bidon le moins fréquemment possible, laissez l'humidificateur vider l'eau du bidon et celle de la base avant de le remplir à nouveau.

## À PROPOS DE L'HUMIDITÉ

Le réglage du niveau d'humidité souhaité dépend de votre niveau de confort personnel, la température extérieure et la température intérieure.

**REMARQUE:** Les tests CDC récentes montrent que les risques de transmission de la grippe sont considérablement réduits à des niveaux de 43% d'humidité.

\*Vous pouvez acheter un hygromètre pour mesurer le niveau d'humidité chez vous. Voici un tableau des taux d'humidité recommandés.

**IMPORTANT:** Des dégâts causés par l'eau peuvent se produire si de la condensation commence à se former sur les fenêtres ou les murs. Le point de réglage (SET) de l'humidité doit être réduit jusqu'à ce que la condensation cesse de se former. Nous recommandons que les niveaux d'humidité ambiante ne dépassent pas 50 %.

Lorsque la température extérieure est de		L'humidité relative (HR) recommandée à l'intérieur d'une habitation est de :
°F	°C	
-20	-30°	15 - 20%
-10°	-24°	20 - 25%
2°	-18°	25 - 30%
10°	-12°	30 - 35%
20°	-6°	35 - 40%
30°	-1°	40 - 45%

\* Modèle 1990 hygromètre numérique est disponible à l'achat par téléphone au 1-800-547-3888.

**REMARQUE :** Lectures de externes et des lectures hygromètre peuvent différer. Les niveaux d'humidité peuvent varier considérablement, même dans une pièce.

## FONCTIONNEMENT

Branchez le cordon dans la prise murale. Votre humidificateur est maintenant prêt à l'emploi. L'humidificateur doit être placé à au moins QUATRE pouces (10 cm) des murs et des bouches de chaleur. Une entrée d'air non obstruée assure une meilleure efficacité et un meilleur rendement de l'appareil.

**REMARQUE :** Cet appareil dispose d'un humidostat automatique situé sur le cordon d'alimentation qui détecte le niveau d'humidité autour de l'humidificateur. Il enclenche l'humidificateur lorsque l'humidité relative à l'intérieur de votre habitation est inférieure au point d'humidité programmé et l'éteint lorsque l'humidité relative atteint le point de réglage.

## PANNEAU DE COMMANDE

### AFFICHAGE NUMÉRIQUE

Appuyez une fois sur la touche de mise en marche pour mettre l'appareil en marche\*. Initialement, le calibrage des éléments électroniques cause un léger délai. Deux tirets (- -) sont affichés pendant ce processus. Une fois le calibrage terminé, un pourcentage d'humidité de la pièce (**ROOM**) situé entre 20 % et 95 % est affiché. Par exemple, si le chiffre 20 clignote sur l'affichage, cela indique que l'humidité de la pièce est inférieure à 20 %.

REMARQUE : les réglages par défaut à la mise en marche initiale sont (« LOW » [bas]) F1 pour la vitesse de ventilation et 65 % (SET) pour l'humidité. Une fois que les réglages sont établis par l'utilisateur, ils restent tant que l'appareil reste branché et qu'il n'y a pas de panne de courant. Si l'appareil est débranché, les réglages par défaut sont utilisés.

\* Le ventilateur de l'humidificateur devrait fonctionner dès la mise en marche initiale. Si ce n'est pas le cas, veuillez vous reporter à la page 39, rubrique « Le ventilateur ne fonctionne pas (l'affichage numérique est illuminé) » de la section de ce mode d'emploi intitulée « Dépannage ».

### RÉGLAGE DE L'HUMIDITÉ

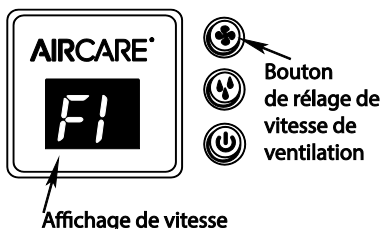
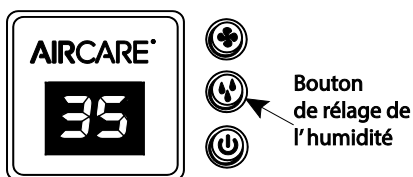
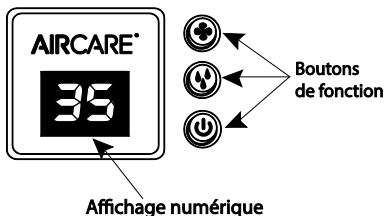
Ce bouton vous permet d'ajuster l'humidité selon vos préférences. L'humidificateur se mettra en marche et s'arrêtera automatiquement selon les besoins pour maintenir l'humidité sélectionnée. L'affichage montre le pourcentage (%) d'humidité réel (**ROOM**) et celui qui a été programmé (**SET**) quand vous appuyez sur le bouton de réglage de l'humidité. L'affichage du pourcentage d'humidité relative de la pièce (**ROOM**) comprend des valeurs entre 20 % et 95 %. Par exemple, si l'humidité relative de la pièce est inférieure ou égale à 20 %, le chiffre 20 clignote sur l'affichage. La plage d'humidité programmée (**SET**) est de 25 % à 65 %, et le réglage peut se faire en incréments de 5 %.

Initialement, l'humidité déjà choisie sera affichée quand vous appuyerez sur le bouton de réglage de l'humidité. Chaque fois que vous appuyerez une fois de plus sur le bouton, vous augmenterez le réglage de 5 %. Un point de réglage (**SET**) de 65 % fait fonctionner l'humidificateur en continu, quel que soit le pourcentage d'humidité réel (**ROOM**). L'humidostat qui détecte l'humidité est situé sur le cordon d'alimentation. Veillez à ce que rien ne l'empêche de fonctionner correctement.

### RÉGLAGE DE LA VITESSE DE VENTILATION

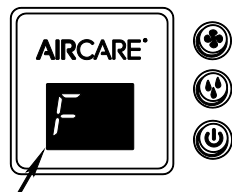
Cet humidificateur d'air est équipé d'une commande de ventilateur à trois vitesses. Initialement, la vitesse déjà choisie sera affichée quand vous appuyerez sur le bouton de réglage de la vitesse. Chaque fois que vous appuyerez une fois de plus sur le bouton, vous passerez d'un mode de ventilation à un autre : (**HIGH**) F3 [vitesse élevée], (**MEDIUM**) F2 [vitesse moyenne], (**LOW**) F1 [vitesse basse].

REMARQUE : En cas de condensation excessive, il est recommandé de diminuer la vitesse.



## INDICATION DE RECHARGE

Pour un temps de fonctionnement maximal, vous devez remplir le bidon et la base. Quand les deux (la base et le bidon) seront vides, la lettre « F » (pour **FILL-REPLISSAGE**) et l'humidité réelle de la pièce clignoteront en alternance sur l'affichage numérique pour vous informer qu'il est temps de rajouter de l'eau.

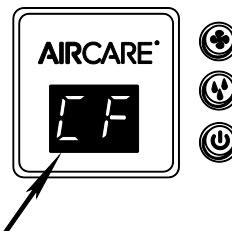


Voyant de remplissage

## INDICATION DU BESOIN DE VÉRIFIER LE FILTRE A MÈCHE

La capacité d'un humidificateur à produire efficacement de l'humidité dépend beaucoup de la condition de son filtre. Au fur et à mesure que le filtre se charge d'impuretés, il perd graduellement sa capillarité. Quand cela se produit, la production d'humidité est réduite et l'humidificateur doit travailler plus longtemps pour atteindre l'humidité programmée. Cet humidificateur est équipé d'un mécanisme qui vous rappellera de vérifier le filtre après 720 heures d'utilisation.

Quand les lettres « CF » et l'humidité de la pièce (Room Humidity) apparaissent en alternance toutes les cinq secondes sur l'affichage numérique, c'est pour vous rappeler de vérifier la condition du filtre.



Affichage indiquant le besoin de vérifier le filtre

Réinitialiser le filtre de fonction chaque fois que vous remplacez un filtre en débranchant l'appareil de la source d'alimentation, puis rebranchez-le.

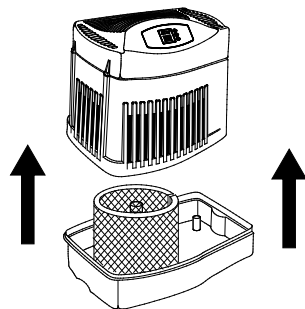
**REMARQUE :** Dans certaines régions l'eau a une forte teneur en minéraux qui entraîne le besoin de changer le filtre plus fréquemment. Veuillez vous reporter à la section intitulée « Remplacement filtre mèche ». Si vous remarquez la présence de dépôts ou une décoloration, remplacez le filtre pour restaurer l'efficacité maximale de l'humidificateur.

## REMPACEMENT DU FILTRE MÈCHE

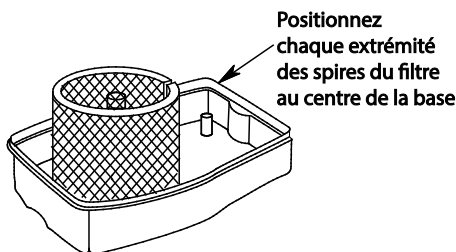
**MISE EN GARDE :** Avant de remplacer le mèche, assurez-vous que l'appareil est éteint.

### Remplacement du filtre

1. Débranchez l'humidificateur. Avant de retirer le déplacer l'humidificateur jusqu'à un endroit où le revêtement de sol n'est pas susceptible aux dommages causés par l'eau (par exemple jusqu'à la cuisine ou à la salle de bain).
2. Retirez le bidon d'eau et mettez-le de côté. Veillez à ne pas heurter ou endommager le capuchon de remplissage.
3. Saisissez le bâti et soulevez-le tout droit pour le mettre de côté. Le filtre est maintenant accessible.
4. Remarquez bien la position du filtre avant de le retirer. Ceci est un moment opportun pour nettoyer la base. Veuillez vous reporter à la section de ce mode d'emploi intitulée « Nettoyage et entretien ».



5. Installez un filtre neuf (MAF2) dans la base. Comprimez le filtre et positionnez-le entre les montants au fond de la base. Les deux Extrémités des spires du filtre doivent être capturées au centre de la base (cf. diagramme) et le filtre doit reposer sur le fond de la base.



6. Remettez l'ensemble de bâti sur le dessus de la base. Placez à nouveau l'humidificateur dans sa position de fonctionnement.
7. L'humidificateur est maintenant prêt à être rempli.

## NETTOYAGE ET ENTRETIEN

**Le nettoyage régulier de votre humidificateur aide à éliminer les odeurs et la croissance bactérienne et fongique.** L'eau de Javel est un bon désinfectant et peut être utilisée pour essuyer la base de l'humidificateur et le réservoir après le nettoyage. Nous vous recommandons de nettoyer votre humidificateur au moins une fois toutes les deux semaines pour maintenir des conditions environnementales optimales chez vous. **Nous recommandons l'utilisation du traitement bactériostatique d'AIRCARE® ou d'Essick Air® à chaque remplissage de l'humidificateur afin d'éliminer la croissance bactérienne.** Ajoutez le produit de traitement selon les instructions figurant sur le récipient. Veuillez appeler le 1-800-547-3888 pour commander le traitement bactériostatique, sous le numéro de produit 1970.

- 1) Éteignez complètement l'appareil et débranchez-le de la prise.
- 2) Soulevez le bâti.
- 3) Amenez la base vers l'évier. Soulevez le filtre à mèche de la base en laissant l'eau s'écouler et retirez l'ensemble flotteur du filtre à mèche. Rincez le filtre à mèche avec de l'eau fraîche uniquement. N'utilisez pas de savon, de détergent ni d'autres produits de nettoyage sur le filtre à mèche. Laissez-le s'égoutter dans l'évier.

### DÉTARTRAGE

- 4) Videz toute l'eau résiduelle à partir de l'appareil. Remplissez de moitié le la bouteille et la base avec de l'eau et ajoutez 8 onces (1 tasse) de vinaigre blanc non dilué. Laissez agir pendant 20 minutes.
- 5) Imbibez un chiffon doux avec du vinaigre blanc non dilué et essuyez le réservoir pour enlever les dépôts de tartre. Rincez les la bouteille et la base avec de l'eau douce pour enlever le tartre et la solution de nettoyage avant la désinfection.

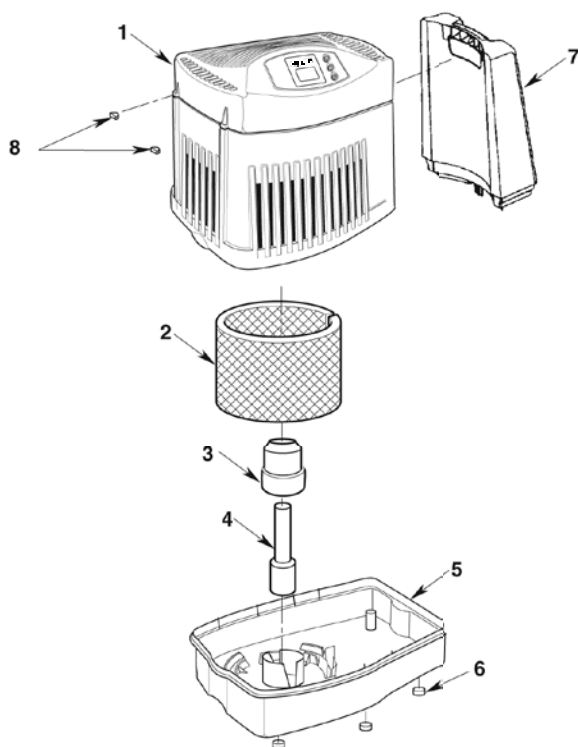
### DÉSINFECTION DE L'APPAREIL

- 6) Remplissez de moitié les la bouteille et la base avec de l'eau et ajoutez 1 c. à thé d'eau de Javel. Laissez agir la solution pendant 20 minutes, puis rincez à l'eau jusqu'à ce que l'odeur de l'eau de Javel ait disparu. Séchez les surfaces internes avec un chiffon propre. Essuyez l'extérieur de l'appareil avec un chiffon doux imbibé d'eau fraîche.
- 7) Remplissez l'appareil et remontez-le selon les instructions d'**ASSEMBLAGE**.

### ENTREPOSAGE PENDANT L'ÉTÉ

- 1) Nettoyez l'appareil tel que décrit au chapitre Nettoyage et entretien.
- 2) Jetez le filtre à mèche usagé et l'eau résiduelle du réservoir. Ne jetez pas retenue mèche. Laissez l'appareil sécher complètement avant de le ranger. **N'entreposez pas** l'appareil avec de l'eau résiduelle dans le réservoir.
- 3) N'entreposez pas l'appareil dans un grenier ou un endroit où la température est élevée, sous peine de l'endommager.
- 4) Installez un nouveau filtre au début de la saison.

## LISTE DE PIÈCES DE RECHANGE



No. de légende	No. de pièce	Description
1	1B72774	Ensemble supérieur
2	MAF2	† Filtre
3	831188-1	Support de flotteur
4	831189	Flotteur de réservoir
5	831187-1	Base
6	831190	Pied en caoutchouc
7	831199	Ensemble de bidon
8	831207	Vis de blocage
9	1B72771	Mode d'emploi (non illustré)

Veuillez commander par numéro de pièce et non pas par numéro d'élément.  
 Pour commander des pièces par téléphone, appelez : 1-800-547-3888

## DÉPANNAGE

Problème	Cause probable	Solution
L'affichage numérique ne s'allume pas.	<ul style="list-style-type: none"> <li>Pas de tension.</li> <li>Vous n'avez pas appuyé sur le bouton de mise en marche.</li> </ul>	<ul style="list-style-type: none"> <li>Inspectez la source d'alimentation 120 V.</li> <li>Appuyez une fois sur le bouton de mise en marche.</li> </ul>
Le ventilateur ne fonctionne pas (l'affichage numérique est allumé).	<ul style="list-style-type: none"> <li>Le niveau d'humidité réel de la pièce (ROOM) n'est pas de 3 % inférieur au niveau d'humidité programmé.</li> <li>Le réservoir est vide.</li> </ul>	<ul style="list-style-type: none"> <li>Augmentez le niveau d'humidité programmé (SET) si vous le souhaitez.</li> <li>Augmentez la vitesse de ventilation.</li> <li>Remplissez l'humidificateur avec de l'eau.</li> </ul>
Le ventilateur fonctionne sans arrêt.	<ul style="list-style-type: none"> <li>Le niveau d'humidité programmé (SET) est de 65 %.</li> <li>L'humidité réelle de la pièce (ROOM) n'a pas atteint un niveau supérieur de 1 % ou plus au niveau d'humidité programmé (SET).</li> </ul>	<ul style="list-style-type: none"> <li>Un pourcentage d'humidité programmé (SET) de 65 % force le ventilateur à fonctionner en continu. Choisissez un niveau de réglage entre 25 % et 60 %.</li> <li>Laissez le ventilateur fonctionner jusqu'à ce que le niveau d'humidité souhaité soit atteint. Cela peut prendre jusqu'à 48 heures initialement.</li> </ul>
Mauvaise évaporation de l'eau.	<ul style="list-style-type: none"> <li>Le message indiquant qu'il faut vérifier le du filtre à mèche (CF) clignote.</li> <li>Accumulation de minéraux sur le filtre à mèche</li> </ul>	<ul style="list-style-type: none"> <li>Mettez un filtre neuf.</li> <li>REMARQUE : dans certaines régions l'eau a une forte teneur en minéraux qui entraîne le besoin de changer le filtre plus fréquemment.</li> </ul>
Le bidon se vide complètement.	<ul style="list-style-type: none"> <li>Ceci est normal pendant le premier remplissage.</li> </ul>	<ul style="list-style-type: none"> <li>Remplissez le bidon pour un temps de fonctionnement maximal.</li> </ul>
Le bidon continue à se vider même après avoir été complètement rempli.	<ul style="list-style-type: none"> <li>De l'air pénètre dans le bidon</li> </ul>	<ul style="list-style-type: none"> <li>Vérifiez qu'il n'y a pas de fuites dans le bidon.</li> <li>Veillez à ce que la valve de remplissage soit dans la position de fermeture et que des débris n'engorgent pas la valve.</li> </ul>
Le bidon ne se vide pas.	<ul style="list-style-type: none"> <li>L'ensemble de valve à ressort est endommagé, ou il manque un montant sur le fond de la base.</li> <li>La base est remplie d'eau.</li> </ul>	<ul style="list-style-type: none"> <li>Vérifiez l'orientation du bidon. Repositionnez-le de façon à ce que la valve de remplissage sur le dessous du bidon soit enfoncée par le montant au fond de la base.</li> <li>La base contiendra le contenu du bidon d'eau (1,2 gallon/4,5 litres). Continuez à faire fonctionner l'humidificateur pour vider l'eau de la base.</li> </ul>
Les lettres « CF » n'apparaissent pas, même si le filtre est sale ou la performance de l'humidificateur est significativement réduite.	<ul style="list-style-type: none"> <li>Une perte de puissance ou une panne d'alimentation a causé la désactivation prématurée du message CF.</li> </ul>	<ul style="list-style-type: none"> <li>Remplacez le filtre.</li> </ul>
L'affichage numérique clignote ou le ventilateur se déplace légèrement quand l'humidificateur est branché.	<ul style="list-style-type: none"> <li>Normal</li> </ul>	<ul style="list-style-type: none"> <li>Aucune action n'est nécessaire.</li> </ul>
La lettre « F » et l'humidité réelle de la pièce clignotent en alternance sur l'affichage numérique.	<ul style="list-style-type: none"> <li>Le réservoir est vide.</li> </ul>	<ul style="list-style-type: none"> <li>Remplissez le réservoir d'eau.</li> </ul>
Les lettres « CF » et l'humidité réelle de la pièce clignotent en alternance sur l'affichage numérique.	<ul style="list-style-type: none"> <li>Il est possible que le filtre à mèche soit sale.</li> </ul>	<ul style="list-style-type: none"> <li>Remplacez le filtre à mèche.</li> <li>Débranchez l'appareil pendant 30 secondes et rebranchez-le.</li> </ul>

**POLITIQUE DE GARANTIE DE L'HUMIDIFICATEUR - À COMPTER  
DU 01 JANVIER 2014 :**

**FACTURE REQUISE COMME PREUVE D'ACHAT POUR TOUTE RÉCLAMATION  
VISANT À FAIRE VALOIR LA GARANTIE.**

Ce produit est garanti contre les défauts de fabrication et de matériaux à compter de la date de vente des composants installés en usine comme indiqué ci-dessous :

2 ans – pour les commandes, le moteur et la base.

1 an – pour les pièces/composants installés en usine tels que les réservoirs et bouchons.

Trente (30) jours pour les mèches et filtres.

**Cette garantie s'applique uniquement à l'acheteur original du produit si ce dernier a été acheté chez un détaillant/distributeur de renom.**

La présente garantie ne s'applique pas aux dommages résultant d'un emploi non conforme, d'une modification, de réparations non autorisées, d'un usage non autorisé, d'une manipulation sans précaution, d'une utilisation déraisonnable, d'un abus, y compris le fait de pas avoir procédé à une maintenance raisonnable, de l'usure normale, d'un emploi sur un circuit électrique caractérisé par une tension supérieure de plus de 5 % à la tension nominale indiquée sur la plaque signalétique, ou d'une installation, d'un câblage ou d'un entretien d'équipements ou de produits ne respectant pas les instructions de ce mode d'emploi.

Les modifications comprennent la substitution d'éléments de marque, y compris, mais non limités à, les mèches et le traitement des bactéries.

CE PRODUIT N'EST PAS DESTINÉ À UN USAGE COMMERCIAL. CECI EST LA SEULE ET UNIQUE GARANTIE ACCORDÉE PAR LE FABRICANT RELATIVE AUX PRODUITS ET, DANS LA MESURE MAXIMALE AUTORISÉE PAR LA LOI, ELLE SE SUBSTITUE À TOUTES LES AUTRES GARANTIES ET CONDITIONS, EXPLICITES ET IMPLICITES, OCTROYÉES PAR LA LOI OU AUTREMENT, Y COMPRIS, MAIS DE FAÇON NON LIMITATIVE, LES GARANTIES DE QUALITÉ MARCHANDE ET/OU D'ADÉQUATION À UN BUT PARTICULIER.

Aucun employé, agent, revendeur ou autre individu n'est autorisé à accorder des garanties ou des conditions au nom du fabricant. Le client devra assumer tous les coûts de main-d'oeuvre engagés.

**Dans les limites de cette garantie, l'acheteur en possession d'un appareil défectueux doit contacter le service client au 800-547-3888 pour obtenir des instructions sur la façon d'obtenir des pièces de rechange sous garantie comme indiqué ci-dessus. Une copie de la facture d'achat est nécessaire afin de faire valoir la garantie sur les pièces.** Le fabricant remplacera la pièce/le produit défectueux, à sa discrétion, en prenant à sa charge les frais de transport pour le renvoi du produit au client. Il est convenu qu'un tel remplacement est le seul recours offert par le fabricant et que, DANS LA MESURE MAXIMALE AUTORISÉE PAR LA LOI, LE FABRICANT NE SAURAIT ÊTRE TENU RESPONSABLE DE DOMMAGES QUELCONQUES, Y COMPRIS DES DOMMAGES ACCESSOIRES OU SECONDAIRES, OU DES PERTES DE BÉNÉFICES OU DE REVENUS.

**Cette garantie sera considérée comme nulle et non avenue si l'acheteur tente de réparer ou remplacer des pièces mécaniques ou électriques.**

La garantie confère des droits spécifiques au client, et ce dernier peut également jouir d'autres droits en fonction de la Province ou de l'État dans lequel il réside.

*Intentionally left blank.*

*Intentionnellement laissée en blanc.*

*Dejada en blanco intencionalmente.*

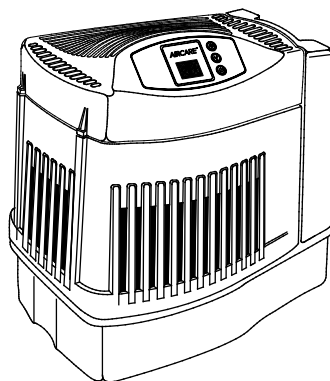


# AIRCARE

## AHORRADOR DE ESPACIO HUMIDIFICADOR POR EVAPORACIÓN

### MODELO 826000 GUÍA DE USO Y CUIDADO

- ▶ Humidistato ajustable
- ▶ Ventilador de tres velocidades
- ▶ Depósito de fácil llenado



Inglés ..... 1  
Francés ..... 13

PARA ADQUIRIR PIEZAS Y ACCESORIOS LLAME AL 1.800.547.3888

LA COMODIDAD ESTÁ EN EL AIRE

# MEDIDAS DE SEGURIDAD IMPORTANTES

## Instrucciones generales de seguridad

### LÉALAS ANTES DE USAR SU HUMIDIFICADOR

**PELIGRO:** significa que si no se respeta la información de seguridad, alguien puede resultar seriamente herido o muerto.

**PRECAUCIÓN:** significa que si no se respeta la información de seguridad, alguien podría resultar seriamente herido o muerto.

**ADVERTENCIA:** significa que si no se respeta la información de seguridad, alguien podría resultar herido.

1. Para reducir el riesgo de incendio o descarga eléctrica, este humidificador posee un enchufe polarizado (una espiga es más ancha que la otra). Enchufe el humidificador directamente a un tomacorriente eléctrico de 120 V de corriente alterna (CA). No utilice cables prolongadores. Si el enchufe no encaja completamente en el tomacorriente, inviértalo. Si aún así no encaja, contacte a un electricista calificado para que instale el tomacorriente adecuado. No cambie el enchufe de ninguna manera.
2. Mantenga el cable fuera de las áreas de tránsito. Para reducir el riesgo de peligro de incendio, nunca coloque el cable debajo de alfombras, cerca de fuentes de calor, radiadores, cocinas o calentadores.
3. Desenchufe siempre la unidad antes de mover, limpiar o retirar la parte del módulo del ventilador del humidificador, o cuando no esté funcionando.
4. Mantenga el humidificador limpio. Para reducir el riesgo de lesiones, incendio o daños al humidificador, utilice solamente limpiadores recomendados específicamente para humidificadores. Nunca utilice materiales inflamables, combustibles o tóxicos para limpiar su humidificador.
5. No coloque objetos extraños dentro del humidificador.
6. No permita que la unidad se utilice como un juguete. Se debe prestar especial atención cuando es utilizado por o cerca de niños.
7. Para reducir el riesgo de peligro eléctrico o daño al humidificador, no lo mueva, sacuda ni incline mientras la unidad esté en funcionamiento.
8. Para reducir el riesgo de descargas eléctricas accidentales, no toque el cable ni los controles con las manos húmedas.
9. Para reducir el riesgo de incendio, no lo utilice cerca de una fuente de fuego abierta, como una vela u otra fuente de fuego.

**PRECAUCIÓN:** Por su propia seguridad, si alguna parte faltara o estuviera dañada, no utilice el humidificador.

**PRECAUCIÓN:** Para reducir el riesgo de incendio, descarga eléctrica o daños, siempre desconecte la unidad antes de realizar el mantenimiento o la limpieza.

**PRECAUCIÓN:** Para reducir el riesgo de incendio o electrocución, no vierta ni derrame agua sobre la zona del motor o del control. Si se mojan los controles, déjelos secar completamente y haga revisar la unidad por personal de mantenimiento autorizado antes de conectarla.

## INTRODUCCIÓN

Su nuevo humidificador añade humedad invisible a su hogar desplazando aire seco a través de una mecha saturada. A medida que el aire atraviesa la mecha, el agua se evapora en el aire, dejando atrás polvo blanco, minerales o sólidos disueltos o suspendidos. Debido a que el agua se evapora, queda solamente aire húmedo, limpio e invisible.

A medida que la mecha de evaporación atrapa los minerales acumulados en el agua, se reduce su capacidad de absorber y evaporar agua. Se recomienda cambiar la mecha al comienzo de la estación. En áreas de aguas duras, deberá reemplazarla con más frecuencia para mantener la eficiencia de su humidificador.

Utilice únicamente mechas de repuesto y químicos AIRCARE® o Essick Air®/MoistAIR®. Para solicitar piezas, mechas y químicos llame al 1-800-547-3888. Los humidificadores de la MA0800 usan mecha N° MAF2. Sólo la mecha de evaporación AIRCARE® o Essick Air®/ Moist Air® garantiza el rendimiento certificado de su humidificador. El uso de mechas de otras marcas anula la certificación de rendimiento y puede anular su garantía.

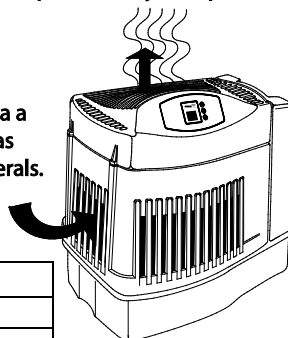
## FUNCIONAMIENTO DE SU HUMIDIFICADOR

El aire seco se introduce en los lados de la húmeda, y luego el aire se humedece a medida que pasa por la mecha saturada de evaporación en el depósito.

El aire humidificado se libera a través luego la parte superior de la unidad.

El aire humidificado es liberado por de la rejilla superior.

El aire ingresa a través de las aberturas laterales.



Descripción	MA0800
* Producción en galones /24 h	8 (30 litros)
Capacidad de la unidad	2,4 galones (9 litros)
* Cobertura en pies cuadrados	2500 (232 m <sup>2</sup> ) 1700 (158 m <sup>2</sup> )
Velocidades del ventilador	3
Filtro de repuesto	MAF2
Higrostat automático	Sí
Apagado automático	Sí
Controles	Electrónicos (pulsadores)
Pies de goma	6
Catalogado por ETL/CETL	Sí
Voltaje	120 V C.A.
Frecuencia	60 Hz
Intensidad (alta velocidad)	1,2 A
Potencia (alta velocidad)	81 W

Basado en una superficie con aislamiento promedio y una altura de cielorraso de 8 pies

Para encomendar piezas y accesorios, llame al 1-800-547-3888 o 1-888-744-4687 en Canada. Si decide llamar por teléfono, tenga disponible el modelo y el número de serie del humidificador.

## NOTAS SOBRE LA UBICACIÓN:

Con el fin de conseguir un uso más efectivo del humidificador, es importante colocar la unidad donde se requiera la mayor cantidad de humedad o en el lugar de la casa donde circulará la mayor cantidad de aire; por ejemplo, cerca de un retorno de aire frío. Si la unidad se coloca cerca de una ventana, puede formarse condensación en el cristal de la ventana. Si esto sucede, se debe colocar la unidad en otro lugar.

NO sitúe la unidad directamente delante de un conducto de aire caliente o radiador. NO coloque la unidad sobre una alfombra mullida.

Debido a que el humidificador emite aire frío y húmedo, se recomienda orientar la dirección del aire lejos del termostato y de las rejillas de aire caliente.

Coloque el humidificador cerca de una pared interna en un lugar nivelado a 10 centímetros de distancia, como mínimo, de la pared o de las cortinas.

## MONTAJE

- 1) Desembale el humidificador.
- 2) Retire todo el material de embalaje. Compruebe que haya retirado todos los siguientes elementos de las cajas, el kit de accesorios y el gabinete antes de deshacerse de los embalajes:

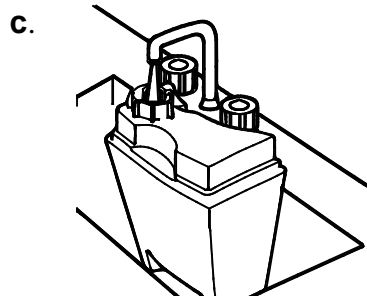
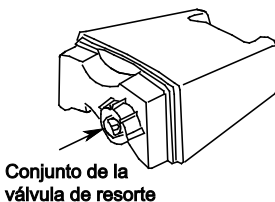
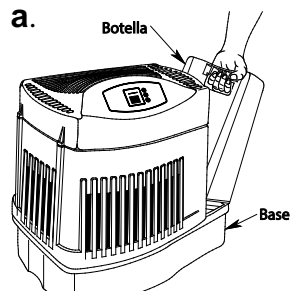
- La mecha de filtro de mecha de mecha
- Manual

## LLENADO DE AGUA

**ADVERTENCIA: Antes de realizar el llenado, asegúrese de que la unidad esté APAGADA. Siempre mantener la rejilla seca.**

Después de que el humidificador esté posicionado en el lugar donde vaya a utilizarse, habrá llegado el momento de llenarlo. La botella se levanta directamente hacia arriba y alejándose de la base. Tenga cuidado de no golpear ni dañar el conjunto de la válvula de llenado ubicada en la parte inferior de la botella.

Invierta la botella. Oprima el botón del vástago de la válvula hacia el interior de la botella y gírelo en el sentido de las agujas del reloj para bloquear la válvula en la posición abierta. Coloque la botella bajo una llave de agua. Llene la botella, teniendo cuidado de no permitir que entren residuos en ella. Los residuos pueden interferir con el asiento de la válvula. Una vez que la botella esté llena, oprima el botón del vástago de la válvula y gírelo en sentido contrario al de las agujas del reloj para desbloquear la válvula y cerrarla.



**PRECAUCIÓN:** Utilice únicamente un bacteriostato registrado por EPA .  
 Recomendamos usar el Tratamiento Bactericida 1970 de Essick Air cada vez que rellene su humidificador para eliminar el crecimiento bacteriano.

**En ninguna circunstancia debe usted usar productos de tratamiento de agua diseñados para humidificadores de disco de impulso o ultrasónicos.**

Coloque la botella de agua de vuelta en la base del humidificador. Cuando esté colocada correctamente, el émbolo se abrirá y el agua fluirá al interior de la base. La base albergará todo el contenido de la botella de agua. Una vez que la botella esté vacía, retírela y repita el proceso de llenado. El humidificador está ahora lleno a su máxima capacidad. Para beneficiarse de tener que llenar el humidificador con menos frecuencia, deje que el humidificador agote el agua tanto de la botella como de la base antes de llenarlo.

## ACERCA DE LA HUMEDAD

El punto en el que ajuste los niveles de humedad deseados depende de su nivel de comodidad personal, la temperatura exterior y la temperatura interior.

**NOTA:** Pruebas recientes de los CDC muestran que las posibilidades de transmisión de la gripe se reducen en gran medida a niveles de 43% de humedad.

Es posible que desee comprar un higrómetro para medir el nivel de humedad en su hogar. El siguiente es un diagrama de ajustes de humedad recomendados.

**IMPORTANTE:** El agua puede producir daños si comienza a formarse condensación en ventanas o paredes. Debe disminuirse el punto de AJUSTE de la humedad hasta que ya no se forme condensación. Se recomienda que los niveles de humedad de la habitación no excedan el 50%.

Cuando la temperatura exterior es de:		La humedad relativa (HR) interior recomendada es del
°F	°C	
-20	-30°	15 - 20%
-10°	-24°	20 - 25%
2°	-18°	25 - 30%
10°	-12°	30 - 35%
20°	-6°	35 - 40%
30°	-1°	40 - 45%

\* Modelo 1990 higrómetro digital está disponible para su compra llamando al 1-800-547-3888.

**NOTA:** Las lecturas del higrómetro externos y lecturas humidistato pueden ser diferentes. Los niveles de humedad pueden variar significativamente, incluso en una habitación.

## OPERACIÓN

Conecte el enchufe en un tomacorriente de pared. Su humidificador ya está listo para ser utilizado. El humidificador se debe colocar a DIEZ centímetros, como mínimo, de cualquier pared y lejos de rejillas de calor. Con la libre circulación de aire en la unidad, se obtendrá el mejor rendimiento y funcionamiento.

**NOTA:** Esta unidad posee un humidistato automático situado en el en el cable de alimentación que detecta el nivel de humedad en la zona inmediata del humidificador. El humidistato encenderá el humidificador cuando la humedad relativa en el hogar sea inferior al ajuste del humidistato y apagará el humidificador cuando la humedad relativa alcance el ajuste que figura en el humidistato.

## PANEL DE CONTROL

Oprima el botón de alimentación una vez para encender la unidad\*. Inicialmente, hay una ligera demora mientras los componentes electrónicos se calibran. Dos barras (- -) aparecen durante este tiempo. Una vez que la calibración se haya completado, se mostrará una lectura de humedad AMBIENTE entre el 20 y el 95 por ciento. Una visualización de un 20 que parpadea indica que la humedad ambiente es inferior al 20%.

**NOTA:** Los ajustes preestablecidos en la puesta en marcha inicial son la velocidad del ventilador F1 (BAJA) y la humedad de AJUSTE del 65%.

Después de que el usuario seleccione los ajustes deseados, dichos ajustes permanecerán mientras la unidad se mantenga enchufada y no haya interrupciones del suministro eléctrico. Si se desconecta la unidad, se emplean los ajustes preestablecidos originales.

### AJUSTE DE HUMEDAD

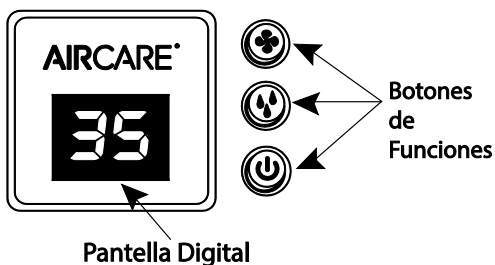
Este botón le permite ajustar la humedad para adaptarla a sus necesidades. Este humidificador se encenderá y apagará cíclicamente de modo automático según se requiera para mantener el ajuste seleccionado. La lectura muestra tanto los ajustes de porcentaje de humedad (%) real (**AMBIENTE**) como deseado (**AJUSTE**) cuando se oprime el botón de control de humedad. La lectura **AMBIENTE** tiene un intervalo del 20 al 95 por ciento. Si el nivel de humedad ambiente es igual o inferior al 20%, la pantalla mostrará un 20 que parpadea.

### VELOCIDAD DEL VENTILADOR

Este humidificador está equipado con un control de ventilador de 3 velocidades. Inicialmente, al oprimir el botón de velocidad se visualizará el ajuste de velocidad actual. Cada pulsación del botón de velocidad hace avanzar el modo a través de los ajustes de F3 (ALTA), F2 (INTERMEDIA), F1 (BAJA).

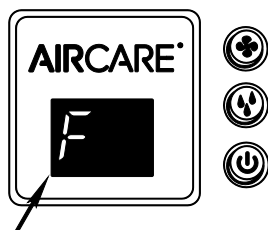
El ajuste seleccionado se muestra en la lectura digital. Cuanto más alto sea el ajuste, más rápidamente se evaporará y liberará el agua al aire. F1 (BAJA) es el ajuste más silencioso y se proporciona para condiciones que no requieran una tasa de evaporación rápida.

**NOTA:** Se recomienda disminuir la velocidad cuando exista una condensación excesiva.



## INDICACIÓN DE RELLENADO

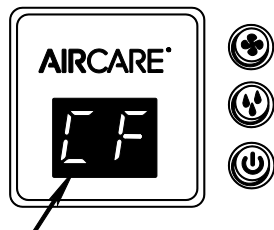
Cuando tanto la botella como la base se vacíen, la lectura de humedad ambiente y “F” (LLENAR) alternarán en la pantalla, informando que se requiere agua adicional. También en este momento, la unidad cambiará automáticamente al **MODO DE RESECACIÓN** y continuará funcionando a la velocidad más baja hasta que el filtro de mecha esté seco.



Visualización de relleno

## Indicador de comprobación del filtro de mecha

La capacidad de cualquier humidificador para suministrar eficientemente humedad depende en gran medida del estado del filtro de mecha. A medida que el filtro de mecha se carga con impurezas, pierde gradualmente su capacidad de mecha. Cuando esto ocurre, la producción de humedad se reduce y el humidificador tiene que trabajar más tiempo para satisfacer el ajuste seleccionado. Este humidificador tiene un recordatorio de comprobación del filtro de mecha temporizado para aparecer después de 720 horas de funcionamiento. Cuando la pantalla muestre un ajuste que alterna entre “CF” y “humedad ambiente” a intervalos de 5 segundos, eso es un recordatorio de comprobar el estado del filtro de mecha.



Visualización de comprobación del filtro

**NOTA:** Algunas zonas tienen un alto contenido de minerales en el agua, lo cual causa la necesidad de hacer cambios más frecuentes del filtro de mecha.

Restablecer la comprobación de la función de filtro de mecha cada vez que cambia un filtro de mecha de desconectar la unidad de la fuente del poder, a continuación, conectarlo de nuevo.

Consulte la sección “Reemplazo y cuidado de filtro de mecha”. Si es evidente que hay una acumulación de depósitos o una descoloración intensa, reemplace el filtro de mecha para restablecer la máxima eficiencia.

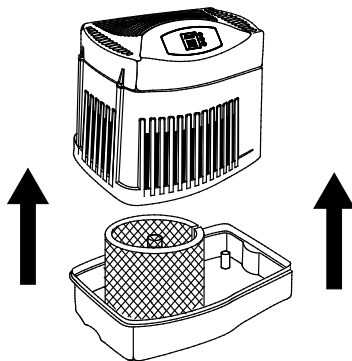
## REEMPLAZO DE FILTRO DE MECHA

**ADVERTENCIA:** Antes de cambiar la mecha, asegúrese de que la unidad esté **APAGADA** y **desenchufada**.

**PRECAUCIÓN:** Para ayudar a retardar el crecimiento de bacterias y mantener la máxima eficiencia, se debe reemplazar el filtro de mecha al menos una vez por estación, o más a menudo en condiciones de agua dura. Use el filtro de mecha de repuesto recomendado Essick/MoistAir MAF2.

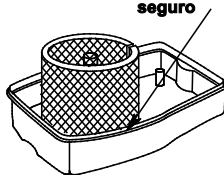
Reemplace el filtro de mecha vaporizador al menos una vez por temporada de humidificación o más, dependiendo de las condiciones del agua de su zona.

1. Desenchufe el humidificador. Antes de quitar el filtro de mecha, recomendamos trasladar el humidificador a un lugar donde los revestimientos de piso no estén propensos a sufrir daños por causa del agua (por ejemplo, zonas de cocina o de baño.)
2. Quite la botella de agua y póngala a un lado. Asegúrese de no golpear ni dañar la válvula de llenado.



3. Agarre el conjunto de la carcasa, levántelo directamente hacia arriba, alejándolo de la base, y póngalo a un lado. Una vez hecho esto, tendrá acceso al filtro de mecha.
4. Fíjese en la posición del filtro de mecha. Quite el filtro de mecha. Puede que quiera limpiar la base en este momento. Consulte la sección “Limpieza del humidificador” de este manual.

**Allínea la parte inferior del conjunto de la carcasa con la parte superior de la base y reposicione la unidad de modo seguro**



5. Instale un filtro de mecha nuevo (MAF 2) en la base. Enrolle el filtro de mecha y colóquelo entre los postes ubicados en el fondo de la base. El comienzo y el final del arrollamiento deben quedar capturados en el centro de la base (vea el diagrama) y el filtro de mecha debe estar descansando en el piso de la base.
6. Retorne el conjunto de la carcasa a la parte superior de la base. Coloque de nuevo el humidificador en su posición de funcionamiento.
7. Una vez hecho esto, el humidificador Estará listo para ser llenado con el fin de utilizarlo.

## CUIDADO Y MANTENIMIENTO

**Limpiar frecuentemente su humidificador ayuda a eliminar los olores y el desarrollo de hongos y bacterias.** El blanqueador doméstico común es un buen desinfectante y se puede usar para repasar la base del humidificador, la botella y el depósito después de limpiarlos. Recomendamos limpiar su humidificador al menos una vez cada dos semanas para mantener las condiciones ambientales óptimas para su hogar. **Asimismo se recomienda utilizar el Tratamiento Antibacteriano AIRCARE® o Essick Air® cada vez que rellene su humidificador para eliminar el desarrollo de bacterias.** Añada el bactericida según las instrucciones del envase. Para adquirir el Tratamiento Antibacteriano (N.º de referencia 1970), comuníquese al 1-800-547-3888.

- 1) Apague la unidad completamente y desconéctela del tomacorriente.
- 2) Retire el armazón.
- 3) Traslade la base a un lavabo. Levante la mecha de la base para permitir que se escurra el agua. Enjuague la mecha únicamente con agua dulce. No utilice jabón, detergente ni cualquier otro producto de limpieza en la mecha. Deje escurrir en la piletta.

### DESINFECCIÓN DE LA BASE

- 4) Eche 1,9 litros (1/2 galón) de agua y ½ cucharadita de blanqueador de cloro en el interior de la basey bottle. Deje que la solución permanezca en la base durante 20 minutos, agitándola cuidadosamente cada pocos minutos. Moje todas las superficies que normalmente estén expuestas a agua.
- 5) Vacíe la base después de 20 minutos. Enjuáguela con agua hasta que el olor a blanqueador haya desaparecido. Deje que la unidad se seque completamente.

**NOTA:** La botella de agua se debe limpiar de la misma manera que la base. Enjuáguela a fondo con agua limpia después de completar todos los pasos.

### MANTENIMIENTO DE FINAL DE TEMPORADA

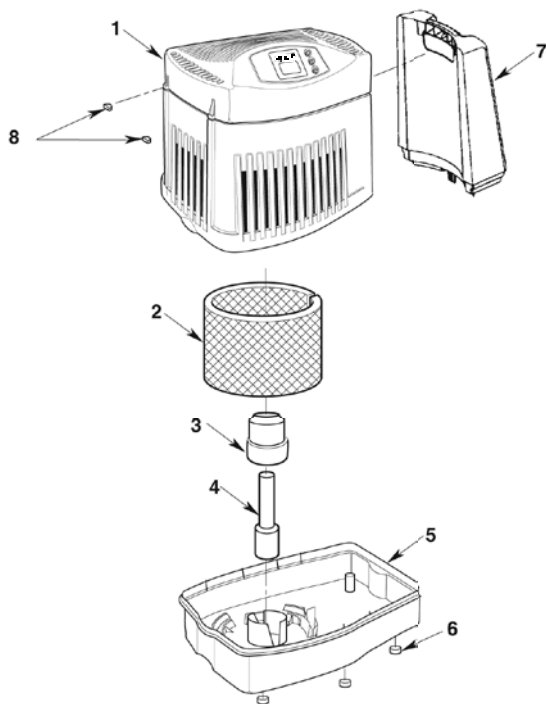
- 1) Siga las instrucciones de “Mantenimiento cada dos semanas” al final de la temporada de humidificación.
- 2) Quite el filtro de mecha.
- 3) Deje que el humidificador se seque completamente antes de guardarlo.
- 4) Guarde el humidificador en un lugar fresco y seco.



5) Instale un filtro de mecha nuevo en el humidificador limpio antes de que comience la próxima temporada.

**NOTA:** El procedimiento de “Mantenimiento cada dos semanas” también se recomienda si usted no piensa utilizar el humidificador durante una semana o más.

### LISTA DE PIEZAS DE REPUESTO



No. De Clave	No. de Pieza	Descripción
1	1B72774	Conjunto superior
2	MAF2	†Filtro de mecha
3	831188-1	Soporte del flotador
4	831189	Depósito del flotador
5	831187-1	Base
6	831190	Pie de goma
7	831199	Conjunto de la botella
8	831207	Tapa de tornillo
9	1B72771	Manual del usuario (no mostrado)

Realice los encargos por el número de pieza y no por el número de artículo. Para solicitar piezas, llame al: 1-800-547-3888

## GUÍA DE RESOLUCIÓN DE PROBLEMAS

Problema	Causa probable	Remedio
Pantalla digital no iluminada.	<ul style="list-style-type: none"> <li>No hay corriente eléctrica.</li> <li>No se ha oprimido el botón de alimentación.</li> </ul>	<ul style="list-style-type: none"> <li>Compruebe la fuente de alimentación de 120 V.</li> <li>Oprima una vez el botón de alimentación para encender la unidad.</li> </ul>
El ventilador no funciona (la pantalla digital está iluminada).	<ul style="list-style-type: none"> <li>El nivel de humedad AMBIENTE no está un 3% o más por debajo del nivel de AJUSTE de humedad.</li> <li>El depósito está vacío.</li> </ul>	<ul style="list-style-type: none"> <li>Suba el nivel de AJUSTE de humedad si lo desea.</li> <li>Aumente la velocidad del ventilador.</li> <li>Llene el humidificador con agua.</li> </ul>
El ventilador está en marcha continuamente.	<ul style="list-style-type: none"> <li>El nivel de AJUSTE de humedad es del 65%.</li> <li>El nivel de humedad AMBIENTE no ha alcanzado un 1% o más por encima del nivel de AJUSTE de humedad.</li> </ul>	<ul style="list-style-type: none"> <li>Un porcentaje de AJUSTE de humedad del 65% hace que el ventilador funcione continuamente. Gradúe el nivel de AJUSTE entre 25% y 60%.</li> <li>Continúe haciendo funcionar la unidad hasta que se logre el nivel de humedad deseado. Esto podría tomar hasta 48 horas inicialmente.</li> </ul>
Mala evaporación de agua	<ul style="list-style-type: none"> <li>El mensaje de COMPROBAR FILTRO DE MECHA está parpadeando.</li> <li>Acumulación de minerales en el filtro de mecha.</li> </ul>	<ul style="list-style-type: none"> <li>Cambie el filtro de mecha con un filtro de mecha totalmente nuevo.</li> </ul> <p><b>Nota:</b> La pureza del agua local varía de una zona a otra.</p>
La botella se vacía completamente.	<ul style="list-style-type: none"> <li>Esto es normal para el llenado inicial.</li> </ul>	<ul style="list-style-type: none"> <li>Rellene la botella para lograr el máximo tiempo de funcionamiento.</li> </ul>
La botella continúa vaciándose después de llenarla completamente.	<ul style="list-style-type: none"> <li>Está entrando aire en la botella de agua.</li> </ul>	<ul style="list-style-type: none"> <li>Compruebe si hay un escape en la botella de agua.</li> </ul>
La botella no se vacía.	<ul style="list-style-type: none"> <li>El conjunto de la válvula de resorte está dañado o falta un poste en el fondo de la base.</li> <li>La base está llena de agua.</li> </ul>	<ul style="list-style-type: none"> <li>Compruebe la orientación de la botella. Reposiciónela de modo que la válvula de llenado ubicada en la parte interior de la botella esté oprimida por el poste ubicado en el fondo de la base.</li> <li>La base albergará el contenido de la botella de agua (4,5 litros ó 1,2 galones). Continúe haciendo funcionar el humidificador para agotar el agua de la base.</li> </ul>
La visualización parpadea o el ventilador se mueve ligeramente al enchufar el humidificador.	<ul style="list-style-type: none"> <li>Normal</li> </ul>	<ul style="list-style-type: none"> <li>No se requiere tomar ninguna medida.</li> </ul>
El ventilador funciona más despacio que la velocidad registrada en la pantalla digital.	<ul style="list-style-type: none"> <li>El humidificador está en el "MODO DE RESECCACIÓN".</li> </ul>	<ul style="list-style-type: none"> <li>El humidificador cambia automáticamente el ventilador a F1 (BAJA) cuando se visualizan "F" y humedad ambiente alternante.</li> </ul>
El humidificador no se apaga durante el "MODO DE RESECCACIÓN".	<ul style="list-style-type: none"> <li>El filtro de mecha no está seco.</li> </ul>	<ul style="list-style-type: none"> <li>Durante el "MODO DE RESECCACIÓN", el humidificador continuará funcionando a velocidad "BAJA" según se requiera durante hasta 2 horas o hasta que el filtro de mecha esté completamente seco.</li> </ul>
Se visualizan alternativamente "F" y la humedad ambiente.	<ul style="list-style-type: none"> <li>El depósito está vacío.</li> </ul>	<ul style="list-style-type: none"> <li>Llene el humidificador con agua.</li> </ul>
Se visualizan alternativamente "CF" y la humedad ambiente.	<ul style="list-style-type: none"> <li>El filtro de mecha podría estar sucio.</li> </ul>	<ul style="list-style-type: none"> <li>Reemplace el filtro de mecha.</li> <li>Desenchufe la unidad durante 30 segundos y reenchúfela para borrar la pantalla.</li> </ul>

**PÓLIZA DE GARANTÍA DEL HUMIDIFICADOR - VÁLIDA AL**  
**1 DE ENERO DE 2014:**

**PARA CUALQUIER RECLAMO RELACIONADO CON LA GARANTÍA ES NECESARIO PRESENTAR EL RECIBO COMO PRUEBA DE COMPRA.**

Este producto posee garantía por defectos en la fabricación y en los materiales a partir de la fecha de venta de componentes instalados en fábrica según se detalla a continuación:

2 años en el control, el motor y el gabinete.

1 año en piezas y componentes instalados en fábrica, como los envases y las tapas del envase.

Treinta (30) días en mechas y filtros.

**Esta garantía es aplicable solamente al comprador original del producto siempre que haya adquirido el producto en una tienda o un distribuidor de buena reputación.**

Esta garantía no es aplicable a productos que se hayan dañado como consecuencia de accidentes, uso indebido, alteraciones, reparaciones no autorizadas, uso no autorizado, manipulación incorrecta, uso no razonable, abuso, incluida la falta de mantenimiento razonable, el desgaste normal o cuando la tensión de conexión supera en más de 5% aquella especificada en la placa del fabricante. Asimismo, esta garantía tampoco es aplicable al equipo o a los productos que fueran instalados, conectados o sometidos a mantenimiento de forma incorrecta sin seguir las especificaciones de este Manual del Usuario.

Las alteraciones que puede sufrir el producto incluyen la sustitución de componentes de marca, incluido el tratamiento de bacterias y mechas.

**ESTE PRODUCTO NO FUE DISEÑADO PARA USO COMERCIAL. LA PRESENTE ES LA ÚNICA GARANTÍA QUE OFRECE EL FABRICANTE CON RESPECTO A LOS PRODUCTOS Y, HASTA EL GRADO MÁXIMO PERMITIDO POR LA LEY, REEMPLAZA A CUALQUIER OTRA GARANTÍA, POR ESCRITO O TÁCITA, QUE OPERE DE PLENO DERECHO O DE OTRA FORMA. SE INCLUYE, SIN LIMITACIONES, LA COMERCIALIZACIÓN Y/O APTITUD PARA UN PROPÓSITO EN PARTICULAR.**

Los empleados, agentes, distribuidores u otras personas no se encuentran autorizados a brindar garantías o condiciones en nombre del fabricante. El cliente será responsable por todos los costos de mano de obra incurridos.

**Dentro de las limitaciones de la presente garantía, el comprador que tanga unidades fuera de funcionamiento debe comunicarse con el servicio de atención al cliente al 800-547-3888 para obtener instrucciones sobre cómo obtener las piezas de repuesto dentro de la garantía, como se indica anteriormente. Se requiere una copia del recibo de venta antes de que la garantía de cualquier pieza se considere válida.** El

fabricante reemplazará la parte o producto defectuoso, según lo crea conveniente, y se hará cargo de los gastos de envío de la devolución al cliente. Se acuerda que el reemplazo es la única solución que el fabricante tiene disponible. ASIMISMO, HASTA EL GRADO MÁXIMO PERMITIDO POR LA LEY, EL FABRICANTE NO SE HACE RESPONSABLE POR LOS DAÑOS DE CUALQUIER TIPO, INCLUIDOS DAÑOS INCIDENTALES Y EMERGENTES, O LA PÉRDIDA DE GANANCIAS O INGRESOS.

**Esta garantía se anulará si el comprador intenta reparar o reemplazar cualquier pieza mecánica o eléctrica.**

Esta garantía le confiere al cliente derechos específicos. Además, el cliente puede gozar de otros derechos que varían según la provincia o el estado.

# AIRCARE®

**ESSICK AIR PRODUCTS**

5800 MURRAY ST.

LITTLE ROCK, AR. 72209

**[www.essickair.com](http://www.essickair.com)**

**1-800-547-3888**