

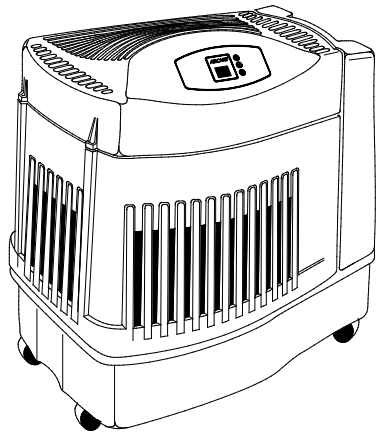
READ AND SAVE THESE INSTRUCTIONS

AIRCARE®

CONSOLE EVAPORATIVE HUMIDIFIER

MODEL MA1201 USE AND CARE GUIDE

- ▶ Auto Humidistat
- ▶ 4 Speed Fan
- ▶ Easy Fill Bottle
- ▶ Four Casters



TO ORDER PARTS AND ACCESSORIES CALL 1.800.547.3888

COMFORT IS IN THE AIR

IMPORTANT SAFEGUARDS

General Safety Instructions

READ BEFORE USING YOUR HUMIDIFIER

DANGER: means if the safety information is not followed someone will be seriously injured or killed.

WARNING: means if the safety information is not followed someone could be seriously injured or killed.

CAUTION: means if the safety information is not followed someone may be injured.

1. To reduce the risk of fire or shock hazard, this humidifier has a polarized plug (one blade is wider than the other.) Plug humidifier directly into a 120V, A.C. electrical outlet. Do not use extension cords. If the plug does not fully fit into the outlet, reverse plug. If it still does not fit, contact a qualified electrician to install the proper outlet. Do not change the plug in any way.
2. Keep the electric cord out of traffic areas. To reduce the risk of fire hazard, never put the electric cord under rugs, near heat registers, radiators, stoves or heaters.
3. Always unplug the unit before moving, cleaning or removing the fan assembly section from the humidifier, or whenever it is not in service..
4. Keep the humidifier clean. To reduce the risk of injury, fire or damage to humidifier, use only cleaners specifically recommended for humidifiers. Never use flammable, combustible or poisonous materials to clean your humidifier
5. To reduce the risk of scalds and damage to humidifier, never put hot water in humidifier.
6. Do not put foreign objects inside the humidifier.
7. Do not allow unit to be used as a toy. Close attention is necessary when used by or near children.
8. To reduce the risk of electrical hazard or damage to humidifier, do not tilt, jolt or tip humidifier while unit is running.
9. To reduce the risk of accidental electrical shock, do not touch the cord or controls with wet hands.
10. To reduce the risk of fire, do not use near an open flame such as a candle or other flame source.

WARNING: For your own safety, do not use humidifier if any parts are damaged or missing.

WARNING: To reduce risk of fire, electric shock, or injury always unplug before servicing or cleaning.

WARNING: To reduce the risk of fire or shock hazard, do not pour or spill water into control or motor area. If controls get wet, let them dry completely and have unit checked by authorized service personnel before plugging in.

INTRODUCTION

Your new humidifier adds invisible moisture to your home by moving dry inlet air through a saturated wick. As air moves through the wick, the water evaporates into the air, leaving behind any white dust, minerals, or dissolved and suspended solids. Because the water is evaporated, there is just clean and invisible moist air.

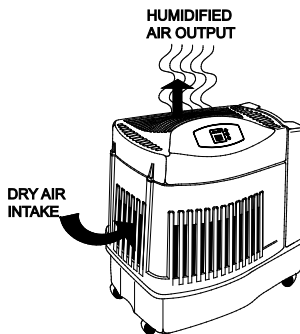
As the evaporative wick traps accumulated minerals from the water, its ability to absorb and evaporate water decreases. We recommend changing the wick at the beginning of every season. In hard water areas, more frequent replacement may be necessary to maintain your humidifier's efficiency.

Use only AIRCARE® or MoistAir/Essick Air® brand replacement wicks and chemicals. To order parts, wicks and chemicals call 1-800-547-3888. The MA1201 humidifier uses wick # MAF1. Only the AIRCARE or MoistAir/Essick Air evaporative wick guarantees the certified output of your humidifier. Use of other brands of wicks voids the certification of output and may void your warranty.

HOW YOUR HUMIDIFIER WORKS

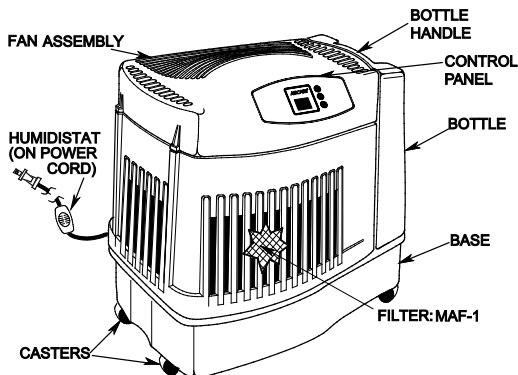
Dry air is drawn into the humidifier through the sides, then air is moisturized as it passes through the saturated evaporative wick in the reservoir.

The humidified air is then fanned out into the room through the top grille.



KNOW YOUR HUMIDIFIER

Description	MA1201
*Output per 24 hrs	12 gallons
Water Capacity	3.5 gallons
Sq. ft. coverage*	3000+ (Tight Const)
	2500 (Avg. Const.)
Fan Speeds	4
Replacement Wick	No. MAF1
Automatic Humidistat	Yes
Refill Indication	Yes
Controls	Digital
Casters	Yes (4)
ETL/CETL Listed	Yes
Volts	120
Hertz	60
Watts	80



**Based on an area with average insulation and an 8' ceiling height ANSI/AHAM HU-1-1997, SEC. 8.1. Results may vary.

ASSEMBLY

1. Unpack humidifier from carton. Remove manual.
2. Remove all packaging materials. Remove casters, water bottle, housing assembly, and filter from the box

CASTERS

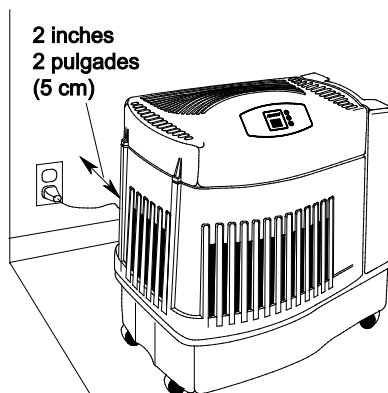
3. Turn the emptied cabinet upside down. Insert each caster stem into one of the four caster holes manually. Do not use tools. The casters should fit snugly and be inserted until the stem shoulder reaches the cabinet surface.
4. Turn the cabinet right side up.

NOTES ON LOCATION:

In order to get the most effective use from your humidifier, it is important to position the unit where the most humidity is needed or where the moist air will be circulated throughout the house such as near a cold air return. If the unit is positioned close to a window, condensation may form on the window pane. If this occurs the unit should be repositioned in another location.

Place humidifier on a flat level surface. Do NOT position the unit directly in front of a hot air duct or radiator. Do NOT place on soft carpet. Due to release of cool, moist air from the humidifier, it is best to direct air away from thermostat and hot air registers. Position humidifier next to an inside wall on a level place at least 2 inches away from the wall or curtains.

Be sure that the humidistat, which is located on the power cord, is free from obstruction and away from any hot air source.



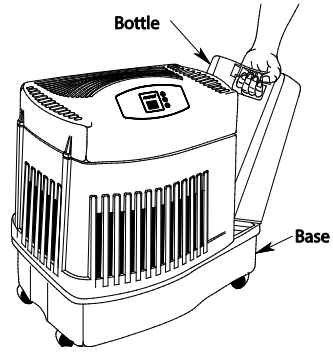
Locate nearest 120V A.C. wall socket in the location desired, preferably on inside wall. With the humidifier in the desired location, route the electrical cord safely so no one will trip or upset the humidifier. Plug unit in.

After the humidifier is positioned where it will be operating you are ready to fill the humidifier.

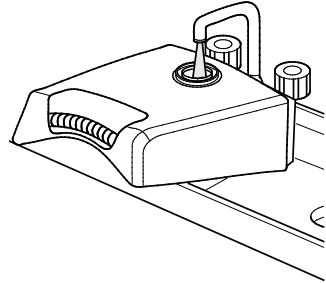
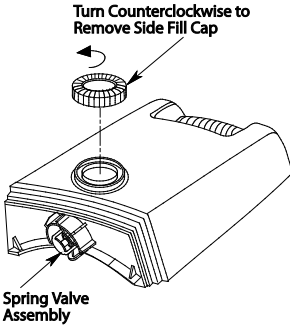
WATER FILL

The bottle lifts straight up and away from the base. Take care not to bump or damage fill valve assembly on the bottom of the bottle.

Remove the side fill cap and fill with water. Replace cap and twist by hand until secure. Hold the bottle upright over the sink. Press up on the valve plunger for one second to release a small amount of water. If you hear air bubbles or see leaks around the side fill cap or Spring Valve Assembly, retighten and recheck.



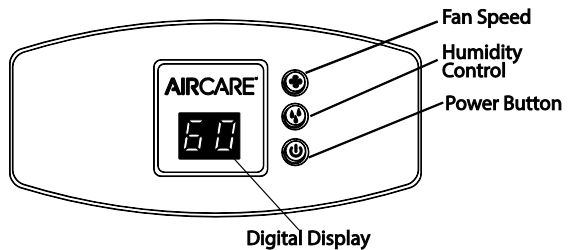
CAUTION: Use only EPA Registered Bacteriostat. Under no circumstances should you use water treatment products designed for Rotobelt or Ultrasonic humidifiers



Place the water bottle back into the humidifier base. When positioned properly, the plunger will open and the water will flow into the base. The base will hold the entire contents of the water bottle. Once the bottle is empty, remove it and repeat the filling process. The humidifier is now filled to capacity. To benefit from less frequent filling let the humidifier exhaust both the water from the bottle and the base before filling.

OPERATION

This unit has a digital control panel that allows you to adjust fan speed and humidity level, as well as view information on the status of the unit



DIGITAL DISPLAY

Press the power button once to turn the unit on. Initially there is a slight delay while the electronics calibrate. Two bars (- -) appear during this time. Once calibration is complete a ROOM humidity reading between 20% - 95% will be displayed. A flashing 20 display indicates that the room humidity is less than 20%.

NOTE: The default settings at initial startup are (Ultra Quiet) F1 fan speed and 65% SET humidity. After desired settings are selected by the user, they remain as long as the unit remains plugged in and there is no power interruption. If the unit is unplugged the original default settings are employed.

ABOUT HUMIDITY

Where you set your desired humidity levels depends on your personal comfort level, outside temperature and inside temperature. A starting set point of 30% - 40% ROOM humidity is recommended but there may be conditions that require a different setting.

NOTE: Recent CDC tests show that the chances of flu transmission are greatly reduced at levels of 43% humidity.

You may wish to purchase a hygrometer* to measure the humidity level in your home. The following is a chart of recommended humidity settings

IMPORTANT: Water damage may result if condensation starts to form on windows or walls. Humidity SET point should be lowered until condensation no longer forms. We recommend room humidity levels do not exceed 50%.

When Outdoor Temperature is:		Recommended Indoor Relative Humidity (RH) is
°F	°C	
-20	-30°	15 - 20%
-10°	-24°	20 - 25%
2°	-18°	25 - 30%
10°	-12°	30 - 35%
20°	-6°	35 - 40%
30°	-1°	40 - 45%

*Model 1990 digital hygrometer is available for purchase by calling 1-800-547-3888.

NOTE: External hygrometer readings and humidistat readings may differ. Humidity levels can vary significantly even in one room.

HUMIDITY CONTROL



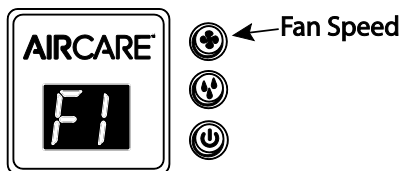
NOTE: Allow 10 to 15 minutes for the humidistat to adjust to the room when setting up the unit for the first time.

The MA1201 has an automatic humidistat located on the cord that measures the relative humidity in the room. When the selected humidity level drops 3% below

the relative humidity, the humidifier cycles on and off as required to maintain the selected setting allows you to adjust the humidity to suit your needs. The readout displays both actual (ROOM) and desired (SET) humidity percentage (%) settings when humidity control button is pressed. The ROOM readout has a range of 20% to 95%. If the room humidity level is equal to or less than 20% the display will show a flashing 20.

The SET readout has a range of 25% to 65% and is adjusted in increments of 5%. Initially depressing the humidity button will display the current humidity setting. Each additional press of the button increases the setting by 5%. A SET point of 65% operates the humidifier continuously regardless of the ROOM reading.

SPEED CONTROL



This humidifier is equipped with a 4-speed fan control.

Initially depressing the speed button will display the current speed setting. Each push of the speed button advances the mode through the settings of (HIGH) **F4**, (MEDIUM) **F3**, (LOW) **F2**, and (ULTRA QUIET) **F1**.

The letter "A" appears when the auto humidistat is selected. This setting allows the auto humidistat to select the fan speed necessary to maintain the desired humidity level.

The selected setting is displayed on the digital readout. The higher the setting, the faster water is evaporated and released into the air. F1 (Ultra Quiet) is the quietest setting and is provided for conditions that do not require a rapid evaporation rate.

* Humidifier fan should operate at initial start up. If it does not, refer to, "Fan not operating (digital display is illuminated)" in the "Trouble Shooting" section .

OTHER FEATURES / INDICATIONS

CHECK FILTER

The ability of any humidifier to efficiently supply humidity output relies heavily on the condition of the filter. As the filter loads with impurities it gradually loses its wicking capability. When this happens, moisture output is reduced and the humidifier has to work longer to satisfy the selected setting.

- 1) This humidifier has a check filter reminder timed to appear after 720 hours of operation. When the Check Filter (CF) message is displayed, disconnect the power cord and check the condition of the filter. If a build-up of deposits or severe discoloration is evident replace the filter to restore maximum efficiency.



Check Filter
Function Display

The CF function is reset after plugging the unit back in.

- 2) When the unit is out of water, a flashing F will display on the display panel.



A Flashing **F**
indicates the
unit needs to
be filled.

AUTO DRYOUT

At this time the unit will automatically switch into **AUTO DRY OUT MODE** and continue to run on the lowest speed until the filter is completely dry. The fan will shut off leaving you with a dry humidifier that is less prone to mold and mildew.

During the AUTO DRYOUT mode the room humidity level will continue to be monitored and the humidifier will cycle the fan on and off until the filter is completely dry.

CONTROL LOCK FEATURE



Control Lock Display

To avoid unwanted tampering with the humidifier settings the controls can be locked.

ACTIVATION PROCEDURE

After the humidifier functions have been set up, hold the power button down for 5 seconds. The display will show "CL" for 2 seconds; release the power button and the control will resume the display of the room humidity. The humidifier will continue to function with the locked in settings. If buttons are operated while "CL" is active, the "CL" is displayed and settings are unaffected.

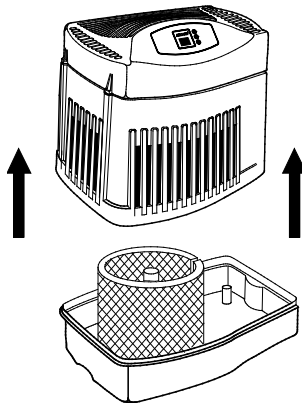
DEACTIVATION PROCEDURE

To deactivate the "CL" function simply press and hold the power button for 5 seconds. "CL" will flash at the rate of 1 second on and 1 second off for a period of 2 seconds and then resume the display of room humidity.

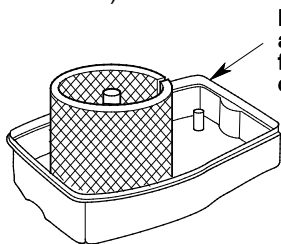
FILTER REPLACEMENT AND CARE

Replace the evaporative wicking filter at least once per humidification season or more depending on water conditions in your area. We also recommend using bacteriostat to maintain the filter and unit's effectiveness.

- 1) Unplug humidifier. Before removing the filter, we recommend moving the humidifier to an area where floor coverings are not susceptible to water damage. (i.e. kitchen or bath areas.)
- 2) Remove the water bottle and set aside. Be sure not to bump or damage the fill valve.
- 3) Grasp the housing assembly and lift straight up and away from the base and set aside. The filter is now accessible.
- 4) Take note of the filter position. Remove the filter. You may want to clean the base at this time. See the "Cleaning and Maintenance" section of this manual.



- 5) Install a new filter (MAF-1) into the base. Coil the filter and position it between the uprights in the bottom of the base. The start and finish of the coil should be captured at the center of the base (see illustration below) and the filter should be resting on the floor of the base.



Position beginning and end of coiled filter at center of base

- 6) Return the housing assembly to the top of the base. Reposition the humidifier to its operating position. The humidifier is now ready to be filled for operation

CARE AND MAINTENANCE

Cleaning your humidifier regularly helps eliminate odors and bacterial and fungal growth. Ordinary household bleach is a good disinfectant and can be used to wipe out the humidifier base and bottle/reservoir after cleaning .We recommend cleaning your humidifier at least once every two weeks to maintain optimum environmental conditions for your home. **We also recommend using AIRCARE® or Essick Air Bacteriostat Treatment each time you refill your humidifier to eliminate bacterial growth.** Add bacteriostat according to the instructions on the bottle. Please call 1-800-547-3888 to order Bacteriostat Treatment , part number 1970.

- 1) Turn off unit completely and unplug from outlet.
- 2) Lift off the chassis.
- 3) Roll or carry the base to cleaning basin. Lift wick from the base allowing the water to drain into basin. Rinse wick under freshwater only. Do not use soap, detergent, or any other cleaners on the wick. Leave in sink to drain.

REMOVING SCALE

- 4) Pour out any remaining water from the base and water bottle. Fill base and bottle ½ full with water and add 8 oz. (1 cup) of undiluted white vinegar to each. Let stand 20 minutes. Then pour out solution.
- 5) Dampen a soft cloth with undiluted white vinegar and wipe out base to remove scale. Rinse the water bottle and base thoroughly with fresh water to remove scale and cleaning solution before disinfecting.

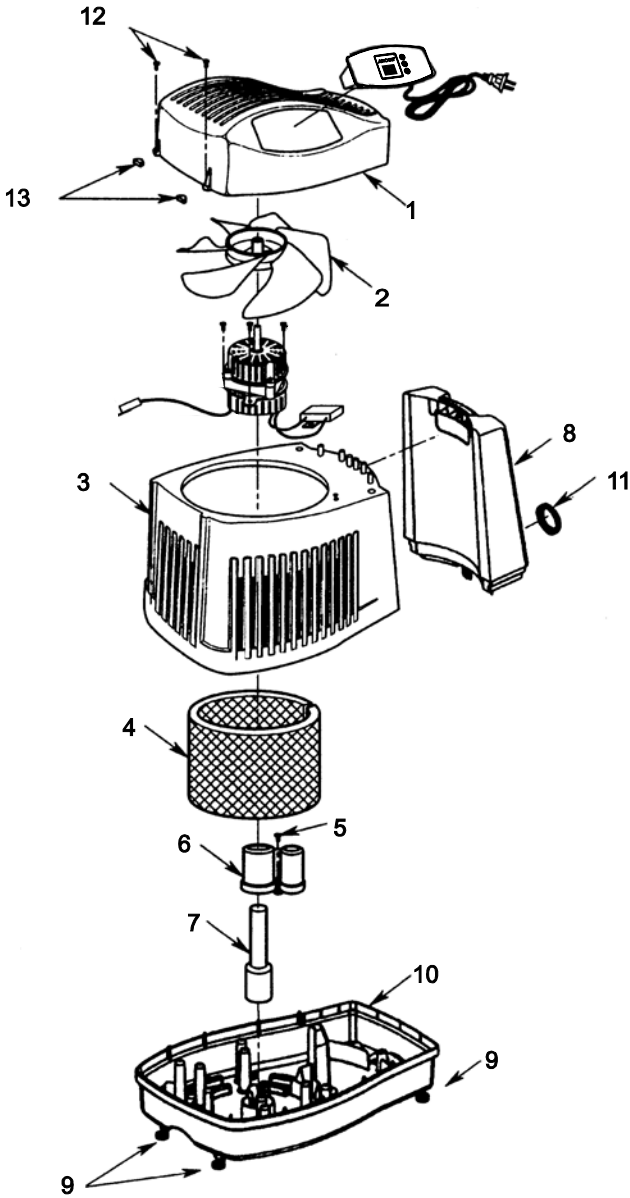
DISINFECTING UNIT

- 6) Fill the reservoir and bottle ½ full of water and add 1 teaspoon of bleach to each. Wipe all surfaces cabinet. Let solution stay for 20 minutes, then rinse with water until bleach smell is gone. Dry interior surfaces with clean cloth. Wipe down the outside if the unit with a soft cloth dampened with fresh water.
- 7) Refill unit and re-assemble per **ASSEMBLY** instructions.

SUMMER STORAGE

- 1) Clean unit as outlined in Care & Maintenance section.
- 2) Discard used wick and pour out any water in the base or bottle. Allow unit to dry thoroughly before storage. **Do not** store with water inside reservoir.
- 3) Do not store unit in an attic or other high-temperature area, as damage is probable.
- 4) Install new filter at beginning of season.

REPAIR PARTS IDENTIFIER



REPAIR PARTS LIST

ITEM NO.	PART NO.	DESCRIPTION
1	830488	Housing, Upper
2	829821	• Blade, Fan
3	830489-1	Housing, Lower
4	MAF-1	† Filter
5	829815	* Screw, Pan Hd. Ty. AB #6 x 1/2 SS
6	830496-1	Support, Float
7	829816	Float, Reservoir
8	830537-1	Bottle, Includes Key #11
9	829812	Casters (Includes 4)
10	830484-1	Base
11	824690-2	Cap, Fill
12	829805	Screw, Pan Hd. Trx. Hi-Lo #6 x 3/4
13	830587	Cap, Screw
14	1B72677	Owner's Manual (not shown)

† Stock item - Purchase at your local retail store.

- Any attempt to repair the control assembly or motor may create a hazard unless repair is done by a qualified service technician.
- * Standard hardware item - May be purchased locally.

Please order by part number not by item number.

Please have complete model number.

To order parts, call: 1-800-547-3888, USA

1-866-808-6500, CANADA

FOR TECHNICAL HELP, CALL (800) 547-3888 USA,

or (888) 744-4687 CANADA

TROUBLESHOOTING GUIDE

Trouble	Probable Cause	Remedy
Digital display not illuminated.	<ul style="list-style-type: none"> • No Power. • Power button has not been depressed. 	<ul style="list-style-type: none"> • Check 120 volt power source. • Press power button once to turn on.
Fan not operating (digital display is illuminated).	<ul style="list-style-type: none"> • ROOM humidity level is not 3% or more below SET humidity level. 	<ul style="list-style-type: none"> • Raise SET humidity level if desired.
Fan running continuously.	<ul style="list-style-type: none"> • SET humidity level is 65%. • ROOM humidity level has not reached 1% or more above SET humidity level. 	<ul style="list-style-type: none"> • A SET humidity percentage of 65% operates fan continuously. Adjust SET level between 25% - 60%. • Continue to run until desired humidity level is achieved. This may take up to 48 hours initially.
Poor evaporation of water.	<ul style="list-style-type: none"> • CF (Check Filter) message flashing. 	<ul style="list-style-type: none"> • Change to a fresh new filter. <p>NOTE: Local water varies from area to area and under certain conditions mineral will build up more rapidly in the filter.</p>
Bottle empties completely.	<ul style="list-style-type: none"> • This is normal for initial filling. 	<ul style="list-style-type: none"> • Refill bottle for maximum run time.
Bottle continues to empty after complete filling.	<ul style="list-style-type: none"> • Air is entering water bottle. 	<ul style="list-style-type: none"> • Ensure fill cap is tight with no interfering debris. • Check for leak in water bottle.
Bottle not emptying	<ul style="list-style-type: none"> • Base full of water. 	<ul style="list-style-type: none"> • The base will hold the contents of water bottle (1.9 gallons/ 7.2L). Continue to run humidifier to deplete water from base.
CF message does not appear even when filter is dirty or humidifier performance is clearly reduced.	<ul style="list-style-type: none"> • A loss of power has caused the CF (check filter) message to prematurely reset. 	<ul style="list-style-type: none"> • Replace filter.
Fan operating slower than speed registered on digital display.	<ul style="list-style-type: none"> • Humidifier is in DRY OUT mode. 	<ul style="list-style-type: none"> • Humidifier automatically switches fan speed to ULTRA QUIET when DRY OUT mode message is displayed.
Humidifier not shutting off during DRY OUT mode.	<ul style="list-style-type: none"> • Filter not dry. 	<ul style="list-style-type: none"> • During DRY OUT mode the humidifier will continue to run on ULTRA QUIET speed as required for a 2 hour period
Controls are unresponsive or CL is displayed	<p>CONTROL LOCK (CL) feature has been activated.</p>	<p>Hold power button down for 5 seconds. Control Lock function will deactivate.</p>

HUMIDIFIER WARRANTY POLICY – EFFECTIVE JANUARY 1, 2014:

SALES RECEIPT REQUIRED AS PROOF OF PURCHASE FOR ALL WARRANTY CLAIMS.

This product is warranted against defects in workmanship and materials from date of sale on factory installed components as listed below:

2 years - on control, motor and cabinet.

1 year - factory installed parts/components such as bottles & bottle caps.

Thirty (30) days on wicks and filters.

This warranty applies only to the original purchaser of the product when it is purchased from a reputable retailer/dealer.

This warranty does not apply to damage from accident, misuse, alterations, unauthorized repairs, unauthorized use, mishandling, unreasonable use, abuse, including failure to perform reasonable maintenance, normal wear and tear, nor where the connected voltage is more than 5% above the nameplate voltage, nor to the equipment or products being improperly installed or wired or maintained in violation of this Owner's Manual.

Alterations include the substitution of name brand components including, but not limited to wicks and bacteria treatment.

THIS PRODUCT IS NOT INTENDED FOR COMMERCIAL USE. THIS IS THE SOLE AND EXCLUSIVE WARRANTY GIVEN BY MANUFACTURER WITH RESPECT TO THE PRODUCTS AND, TO THE MAXIMUM EXTENT PERMITTED BY LAW, IS IN LIEU OF AND EXCLUDES ALL OTHER WARRANTIES AND CONDITIONS, EXPRESS OR IMPLIED, ARISING BY OPERATION OF LAW OR OTHERWISE. INCLUDING, WITHOUT LIMITATION, MERCHANTABILITY AND/OR FITNESS FOR A PARTICULAR PURPOSE.

No employee, agent, dealer or other person is authorized to give any warranties or conditions on behalf of the manufacturer. The customer shall be responsible for all labor costs incurred.

Within the limitations of this warranty, purchaser with inoperative units should contact customer service @ 800-547-3888 for instructions on how to obtain replacement parts within warranty as listed above. A copy of the sales receipt is required before warranty on any part is considered valid. The manufacturer will replace the defective part/product, at its discretion, with return freight paid by the manufacturer. It is agreed that such replacement is the exclusive remedy available from the manufacturer and that TO THE MAXIMUM EXTENT PERMITTED BY LAW, THE MANUFACTURER IS NOT RESPONSIBLE FOR DAMAGES OF ANY KIND, INCLUDING INCIDENTAL AND CONSEQUENTIAL DAMAGE OR LOSS OF PROFITS OR REVENUES.

This warranty will be null & void if purchaser attempts to repair or replace any parts which are mechanical or electrical.

The warranty gives the customer specific legal rights, and the customer may also have other rights which vary from province to province, or state to state.

This page intentionally left blank

Cette page est intentionnellement laissée en blanc

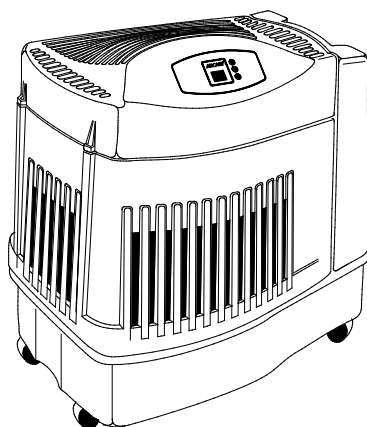
Esta página ha sido dejada en blanco intencionalmente

LISEZ ET CONSERVEZ CES INSTRUCTIONS

AIRCARE®

CONSOLE HUMIDIFICATEUR À ÉVAPORATION

MODÈLE MA1201 MANUEL D'UTILISATION ET D'ENTRETIEN



- ▶ Humidostat automatique
- ▶ Ventilateur à 4 vitesses
- ▶ Remplissage aisé du réservoir
- ▶ Quatre roulettes



POUR COMMANDER DES PIÈCES ET DES ACCESSOIRES

APPELEZ LE 1.800.547.3888

LE CONFORT EST DANS L'AIR

MISES EN GARDE IMPORTANTES

Consignes générales de sécurité

À LIRE AVANT D'UTILISER VOTRE HUMIDIFICATEUR

DANGER : signifie que si les consignes de sécurité ne sont pas respectées, quelqu'un sera gravement blessé ou tué.

AVERTISSEMENT : signifie que si les consignes de sécurité ne sont pas respectées, quelqu'un risque d'être gravement blessé ou tué.

PRUDENCE : signifie que si les consignes de sécurité ne sont pas respectées, quelqu'un sera peut-être blessé.

1. Pour réduire le risque d'incendie ou de choc électrique, cet humidificateur possède une fiche polarisée (une broche est plus large que l'autre). Branchez l'humidificateur directement dans une prise électrique de 120 V, AC. N'utilisez pas de rallonges. Si la fiche n'entre pas complètement dans la prise, inversez la fiche. Si elle ne rentre toujours pas, contactez un électricien qualifié pour installer une prise adéquate. Ne modifiez la fiche en aucun cas.
2. Ne laissez pas traîner le cordon électrique dans des passages très fréquentés. Pour réduire le risque d'incendie, ne placez jamais le cordon électrique sous un tapis, ou à proximité d'une bouche de chaleur, d'un radiateur, d'un four ou d'un appareil de chauffage.
3. Débranchez toujours l'appareil avant de le déplacer, le nettoyer ou de retirer l'ensemble de ventilation, ou chaque fois qu'il n'est pas en service.
4. Veillez à ce que l'humidificateur reste propre. Pour réduire le risque de blessure, d'incendie ou de dommages à l'humidificateur, utilisez uniquement des produits de nettoyage spécialement recommandés pour les humidificateurs. N'utilisez jamais de matériaux inflammables, combustibles ou toxiques pour nettoyer votre humidificateur.
5. Ne placez pas de corps étrangers à l'intérieur de l'humidificateur.
6. Ne laissez pas des enfants se servir de cet appareil comme d'un jouet. Il faut faire très attention quand cet appareil est utilisé par des enfants ou à proximité d'enfants.
7. Pour réduire le risque de danger électrique ou d'endommagement de l'humidificateur, n'inclinez pas, ne heurtez pas et ne faites pas basculer l'humidificateur quand il est en marche.
8. Pour réduire le risque de choc électrique accidentel, ne touchez pas le cordon ou les commandes avec les mains mouillées.
9. Pour réduire le risque d'incendie, n'utilisez pas l'humidificateur près d'une flamme nue comme une bougie ou une autre source de flamme.

AVERTISSEMENT : Pour votre propre sécurité, n'utilisez pas l'humidificateur si des pièces sont endommagées ou manquantes.

AVERTISSEMENT : Pour réduire les risques d'incendie, de choc électrique ou de blessure, débranchez toujours l'appareil avant d'effectuer une réparation ou un nettoyage.

AVERTISSEMENT : Pour réduire le risque d'incendie ou de choc électrique, ne versez pas et ne renversez pas d'eau dans la zone des commandes ou du moteur. Si les commandes sont mouillées, laissez-les sécher complètement et faites vérifier l'unité par du personnel d'entretien autorisé avant de brancher l'appareil.

INTRODUCTION

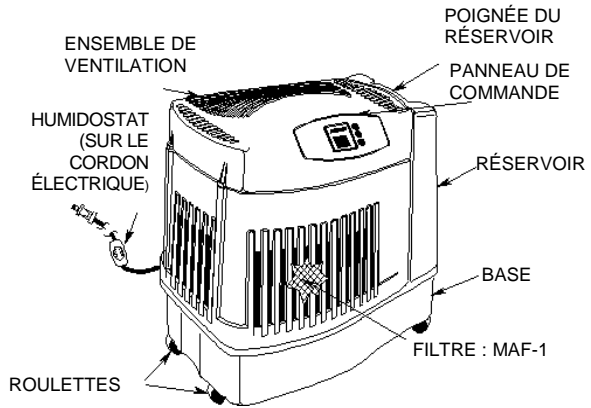
Votre nouvel humidificateur ajoute de l'humidité dans la maison en faisant passer de l'air sec à travers un filtre à mèche saturée. Au fur et à mesure que l'air passe au travers du filtre à mèche, l'eau s'évapore dans l'air en laissant derrière elle toutes poussières blanches, minéraux et solides dissous ou en suspension. Puisque l'eau est évaporée, il n'y a que de l'air humidifié, propre et invisible.

Au fur et à mesure que le filtre à mèche d'évaporation emprisonne et accumule les minéraux contenus dans l'eau, sa capacité d'absorption et d'évaporation d'eau diminue. Nous recommandons de changer le filtre à mèche au début de chaque saison. Dans les régions où l'eau est dure, un remplacement plus fréquent peut être nécessaire afin de maintenir l'efficacité de votre humidificateur.

N'utilisez que des produits chimiques et filtres à mèche AIRCARE® ou MoistAIR/Essick Air® en remplacement. Pour commander des pièces, filtres à mèche et produits chimiques, appelez le 1-800-547-3888. Le humidificateur MA1201 utilisent de filtre à mèche n° MAF1. Seuls les filtres à mèche d'évaporation de marque AIRCARE ou MoistAir/ Essick Air garantissent le meilleur rendement de votre humidificateur. L'utilisation de filtres à mèche d'autres marques nuit aux performances de l'appareil et peut annuler votre garantie.

Description	MA1201
*Débit par 24 h	12 gallons (45,4 L)
Capacité d'eau	3,5 gallons (13,2 L)
Couverture en pieds carrés*	3000+ (constr. étanche) 2500 (constr. norm.)
Vitesses de ventilation	4
Filtre de recharge	MAF1
Humidostat automatique	Oui
Voyant de remplissage	Oui
Commandes	Numériques
Roulettes	Oui (4)
Certification ETL/CETL	Oui
Volts	120
Hertz	60
Watts	80

FAMILIARISEZ-VOUS AVEC VOTRE HUMIDIFICATEUR

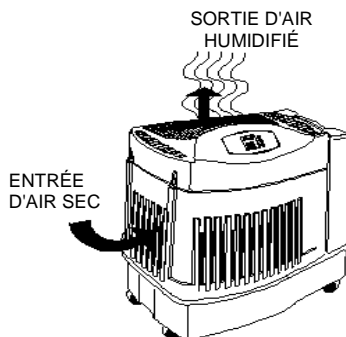


* *Pour une pièce avec isolation moyenne et un plafond à une hauteur de 8 pieds, selon la norme ANSI/AHAM HU-1-1997. SEC. 8.1. Les résultats peuvent varier.

COMMENT FONCTIONNE VOTRE HUMIDIFICATEUR

L'air sec est aspiré dans l'humidificateur par les côtés, puis est humidifié au fur et à mesure de son passage à travers le filtre à mèche saturée dans le réservoir.

L'air humidifié est ensuite libéré dans la pièce par la grille supérieure.

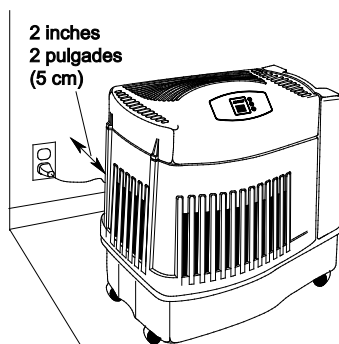


REMARQUES SUR L'EMPLACEMENT :

Afin de tirer le meilleur parti de votre humidificateur, il est important de placer l'appareil à un endroit où le plus d'humidité est nécessaire ou là où l'air humide circulera dans toute la maison comme à proximité d'un retour d'air froid. Si l'appareil est placé près d'une fenêtre, de la condensation peut se former sur la vitre. Si cela se produit, il faut déplacer l'appareil.

Ne placez PAS l'appareil directement devant une bouche d'air chaud ou un radiateur. NE le placez PAS sur de la moquette ou un tapis.

Du fait que de l'air humide et frais est libéré de l'humidificateur, il est préférable de ne pas diriger l'air vers un thermostat ou des bouches d'air chaud. Placez l'humidificateur à côté d'un mur intérieur sur une surface plane à au moins 2 pouces (5 cm) du mur ou des rideaux.

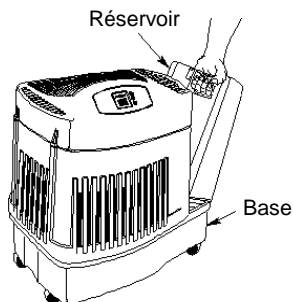


Localisez la prise murale (120 V, c.a.) la plus proche de l'emplacement souhaité, de préférence sur un mur de division. Une fois l'humidificateur positionné à l'endroit voulu, placez le cordon électrique de façon à ce que personne ne trébuche dessus ou n'abîme l'humidificateur. Branchez l'appareil dans la prise de courant.

REPLISSAGE D'EAU

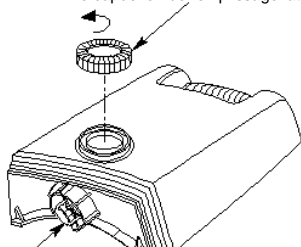
Le réservoir doit être soulevé tout droit pour être retiré de la base. Prenez soin de ne pas heurter ou endommager la soupape à ressort située au bas du réservoir.

Dévissez le capuchon de remplissage latéral et remplissez le réservoir d'eau. Remettez le capuchon et serrez-le fermement à la main. Tenez le réservoir en position verticale au-dessus de l'évier. Appuyez sur la soupape pendant une seconde pour libérer un peu d'eau. Si vous entendez un bruit de bulles d'air ou si vous voyez des fuites apparaître autour du capuchon de remplissage latéral ou de la soupape à ressort, resserrez et revérifiez.

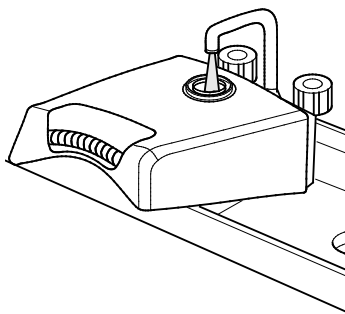


MISE EN GARDE : N'utilisez qu'un agent bactériostatique agréé par l'EPA. Vous ne devez en aucun cas utiliser des produits de traitement de l'eau conçus pour des humidificateurs ultrasoniques ou de type Rotobelt.

Tournez dans le sens contraire des aiguilles d'une montre pour dévisser le capuchon de remplissage latéral.



Soupape à ressort



Remettez le réservoir d'eau sur la base de l'humidificateur. Lorsque le réservoir est bien positionné, la soupape s'ouvre et l'eau s'écoule dans la base. La base est assez grande pour contenir toute l'eau du réservoir. Une fois que le réservoir est vide, retirez-le et répétez le processus de remplissage. L'humidificateur est maintenant rempli au maximum. Pour avoir à remplir le réservoir le moins fréquemment possible, laissez l'humidificateur vider l'eau du réservoir et celle de la base avant de le remplir à nouveau.

À PROPOS DE L'HUMIDITÉ

Le réglage du niveau d'humidité souhaité dépend de votre niveau de confort personnel, la température extérieure et la température intérieure.

REMARQUE: Les tests CDC récentes montrent que les risques de transmission de la grippe sont considérablement réduits à des niveaux de 43% d'humidité.

*Vous pouvez acheter un hygromètre pour mesurer le niveau d'humidité chez vous. Voici un tableau des taux d'humidité recommandés.

IMPORTANT: Des dégâts causés par l'eau peuvent se produire si de la condensation commence à se former sur les fenêtres ou les murs. Le point de réglage (SET) de l'humidité doit être réduit jusqu'à ce que la condensation cesse de se former. Nous recommandons que les niveaux d'humidité ambiante ne dépassent pas 50 %.

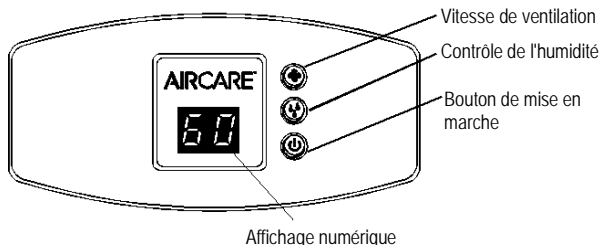
Lorsque la température extérieure est de :		L'humidité relative (HR) recommandée à l'intérieur d'une habitation est de :
°F	°C	
-20	-30°	15 - 20%
-10°	-24°	20 - 25%
2°	-18°	25 - 30%
10°	-12°	30 - 35%
20°	-6°	35 - 40%
30°	-1°	40 - 45%

* Modèle 1990 hygromètre numérique est disponible à l'achat par téléphone au 1-800-547-3888.

REMARQUE : Lectures de externes et des lectures hygrostat peuvent différer. Les niveaux d'humidité peuvent varier considérablement, même dans une pièce.

FONCTIONNEMENT

Cet appareil a un panneau de commande numérique qui vous permet d'ajuster la vitesse du ventilateur et le niveau d'humidité. Il vous permet aussi de visualiser des informations sur l'état de l'appareil.



AFFICHAGE NUMÉRIQUE

Appuyez une fois sur le bouton de mise en marche*. Attendez quelques instants jusqu'à ce que l'électronique soit calibrée. Deux tirets (- -) sont affichés pendant ce processus. Une fois le calibrage terminé, un pourcentage d'humidité de la pièce (ROOM) situé entre 20 % et 95 % est affiché. Par exemple, si le chiffre 20 clignote, cela indique que l'humidité de la pièce est inférieure à 20 %.

REMARQUE : les paramètres par défaut lors de la mise en marche initiale sont F1 (Ultra Quiet) (extrêmement silencieux, ce qui correspond à vitesse basse) pour la vitesse du ventilateur et 65 % SET (niveau d'humidité programmé) pour l'humidité. Une fois que les réglages sont établis par l'utilisateur, ils restent tant que l'appareil reste branché et qu'il n'y a pas de panne de courant. Si l'appareil est débranché, les réglages par défaut sont utilisés.

COMMANDE D'HUMIDITÉ



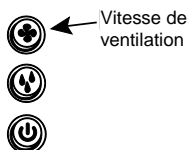
REMARQUE : Laissez l'humidostat s'adapter à la pièce pendant 10 à 15 minutes lors de la première configuration de l'appareil.

Le MA1201 est pourvu d'un humidostat automatique situé sur le cordon d'alimentation qui mesure l'humidité

relative dans la pièce. Lorsque le niveau d'humidité sélectionné tombe de 3 % au-dessous de l'humidité relative, celui-ci entraîne des cycles de mise en marche et d'arrêt de l'humidificateur afin de maintenir le réglage sélectionné. Le bouton de contrôle d'humidité permet d'afficher en pourcentage (%) l'humidité réelle de la pièce (ROOM) et l'humidité programmée (SET). L'affichage ROOM est situé entre 20 % et 95 %. Si l'humidité de la pièce est égale ou inférieure à 20 %, le chiffre 20 clignote sur l'écran.

Le réglage (SET) va de 25 % à 65 % et peut être ajusté par incréments de 5 %. Le premier appui sur le bouton de contrôle de l'humidité affiche le niveau d'humidité réel. Chaque nouvel appui sur le bouton augmente le réglage de 5 %. Un niveau d'humidité programmé (SET) de 65 % fait fonctionner l'humidificateur en continu, quel que soit le pourcentage d'humidité réel (ROOM).

CONTRÔLE DE LA VITESSE



Cet humidificateur est équipé d'une commande de ventilateur à 4 vitesses.

Le premier appui sur le bouton de commande de la vitesse affiche le réglage actuel de la vitesse. Chaque fois que vous appuyez sur le bouton, vous passez d'un mode de ventilation à un autre : HIGH (vitesse élevée) **F4**,

MEDIUM (vitesse moyenne) **F3**, LOW (vitesse basse) **F2** et ULTRA QUIET (extrêmement silencieux, vitesse très basse) **F1**.

La lettre « A » s'affiche lorsque l'humidostat automatique est sélectionné.

Ce réglage permet à l'humidostat automatique de sélectionner la vitesse du ventilateur nécessaire pour maintenir le niveau d'humidité désiré.

Le réglage choisi apparaît sur l'écran d'affichage numérique. Plus la vitesse est élevée, plus l'eau s'évapore rapidement dans l'air ambiant. F1 (Ultra Quiet) est le réglage le plus silencieux et est utile dans les conditions où une vitesse d'évaporation rapide n'est pas nécessaire.

* Le ventilateur de l'humidificateur doit fonctionner dès la mise en marche initiale.

Si ce n'est pas le cas, veuillez vous reporter à la page 10, rubrique

« Le ventilateur ne fonctionne pas (l'affiche numérique est illuminé) » du chapitre intitulé « Dépannage ».

AUTRES FONCTIONNALITÉS / INDICATIONS

INDICATEUR D'INSPECTION DU FILTRE

La capacité d'un humidificateur, quel qu'il soit, à produire efficacement de l'humidité dépend dans une large mesure de l'état du filtre. Au fur et à mesure que le filtre se charge d'impuretés, il perd progressivement sa capillarité. Lorsque cela se produit, la production d'humidité est réduite et l'humidificateur doit fonctionner plus longtemps pour atteindre l'humidité programmée.

- 1) Cet humidificateur est équipé d'un mécanisme qui vous rappellera de vérifier le filtre après 720 heures de fonctionnement. Lorsque le message Check Filter (CF) (inspecter le filtre) s'affiche, débranchez le cordon d'alimentation et vérifiez l'état du filtre. Si vous remarquez la présence de dépôts ou une décoloration, remplacez le filtre pour restaurer l'efficacité maximale de l'humidificateur.



Affichage de la fonction Check Filter (inspecter le filtre)

Le message CF disparaît lorsque l'humidificateur est rebranché.

- 2) Lorsque l'appareil n'a plus d'eau, un F clignotant s'affiche sur le panneau d'affichage.



Un F clignotant indique que l'appareil doit être rempli.

DESSÈCHEMENT AUTOMATIQUE

À ce moment-là, l'appareil passe automatiquement en mode de dessèchement **AUTO DRY OUT MODE** et continuera à fonctionner à basse vitesse jusqu'à ce que le filtre soit complètement sec. Le ventilateur s'arrêtera, laissant votre humidificateur sec et moins sujet aux moisissures.

En mode AUTO DRYOUT, le niveau d'humidité ambiante continuera à être surveillé et l'humidificateur lancera des cycles de mise en marche et d'arrêt du ventilateur jusqu'à ce que le filtre soit complètement sec.

VERROUILLAGE DES COMMANDES



Affichage du verrouillage des commandes

Pour éviter la manipulation indésirable des paramètres de l'humidificateur, les commandes peuvent être verrouillées.

PROCÉDURE D'ACTIVATION

Après avoir réglé les fonctions de l'humidificateur, maintenez le bouton de mise en marche enfoncé pendant 5 secondes.

L'écran affichera « CL » pendant 2 secondes ; relâchez le bouton et l'humidité ambiante s'affichera à nouveau. L'humidificateur continuera à fonctionner avec les commandes verrouillées. Si les touches sont utilisées alors que « CL » est activé, « CL » s'affiche et les réglages ne sont pas affectés.

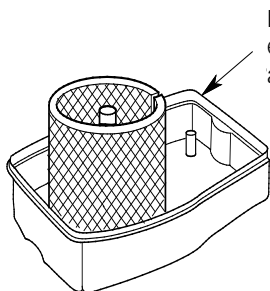
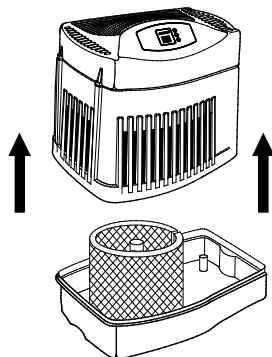
PROCÉDURE DE DÉSACTIVATION

Pour désactiver la fonction « CL », appuyez sur le bouton de mise en marche et maintenez-le enfoncé pendant 5 secondes. « CL » clignotera pendant 2 secondes, puis l'affichage reviendra à l'humidité ambiante.

REPLACEMENT ET ENTRETIEN DU FILTRE

Remplacez le filtre à mèche au moins une fois par saison ou plus souvent en fonction des conditions hydriques dans votre région. Nous recommandons également l'utilisation d'un agent bactériostatique pour maintenir l'efficacité du filtre et de l'appareil.

- 1) Débranchez l'humidificateur. Avant de retirer le filtre, nous recommandons de déplacer l'humidificateur à un endroit où les revêtements de sol ne sont pas sensibles aux dégâts d'eau (cuisine ou salle de bains, par ex.).
- 2) Retirez le réservoir et mettez-le de côté. Veillez à ne pas heurter ou endommager la soupape de remplissage.
- 3) Saisissez le bâti et soulevez-le tout droit pour le séparer de la base, puis mettez-le de côté. Le filtre est maintenant accessible.
- 4) Observez bien la position du filtre avant de l'enlever. Profitez-en pour nettoyer la base. Veuillez consulter le chapitre « Nettoyage et entretien » de ce manuel.
- 5) Installez un filtre neuf (MAF-1) dans la base. Comprimez le filtre et positionnez-le entre les montants au fond de la base. Les deux extrémités du filtre doivent être placées au centre de la base (voir l'illustration ci-dessous) et le filtre doit reposer sur le fond de la base.



Placez les deux extrémités du filtre au centre de la base.

- 6) Remettez le bâti sur le dessus de la base. Placez à nouveau l'humidificateur dans sa position de fonctionnement. L'humidificateur est maintenant prêt à être rempli.

NETTOYAGE ET ENTRETIEN

Le nettoyage régulier de votre humidificateur aide à éliminer les odeurs et la croissance bactérienne et fongique. L'eau de Javel est un bon désinfectant et peut être utilisée pour essuyer la base de l'humidificateur et le réservoir après le nettoyage. Nous vous recommandons de nettoyer votre humidificateur au moins une fois toutes les deux semaines pour maintenir des conditions environnementales optimales chez vous. **Nous recommandons l'utilisation d'AIRCARE® ou du traitement bactériostatique d'Essick Air à chaque remplissage de l'humidificateur afin d'éliminer la croissance de bactéries.**

Ajoutez le produit de traitement selon les instructions figurant sur le récipient.

Veuillez appeler le 1-800-547-3888 pour commander le traitement bactériostatique, sous le numéro de produit 1970.

- 1) Éteignez complètement l'appareil et débranchez-le de la prise.
- 2) Soulevez le bâti.
- 3) Amenez la base vers l'évier. Soulevez le filtre à mèche de la base en laissant l'eau s'écouler dans l'évier. Rincez le filtre à mèche avec de l'eau fraîche uniquement. N'utilisez pas de savon, de détergent ni d'autres produits de nettoyage sur le filtre à mèche. Laissez-le s'égoutter dans l'évier.

DÉTARTRAGE

- 4) Videz la base et le réservoir de toute eau résiduelle. Remplissez de moitié la base et le réservoir avec de l'eau et ajoutez-y un verre (entre 230 et 240 ml) de vinaigre blanc non dilué. Laissez agir pendant 20 minutes, puis videz la solution.
- 5) Imbibez un chiffon doux avec du vinaigre blanc non dilué et essuyez la base pour enlever les dépôts de tartre. Rincez le réservoir d'eau et la base avec de l'eau douce pour enlever le tartre et la solution de nettoyage avant la désinfection.

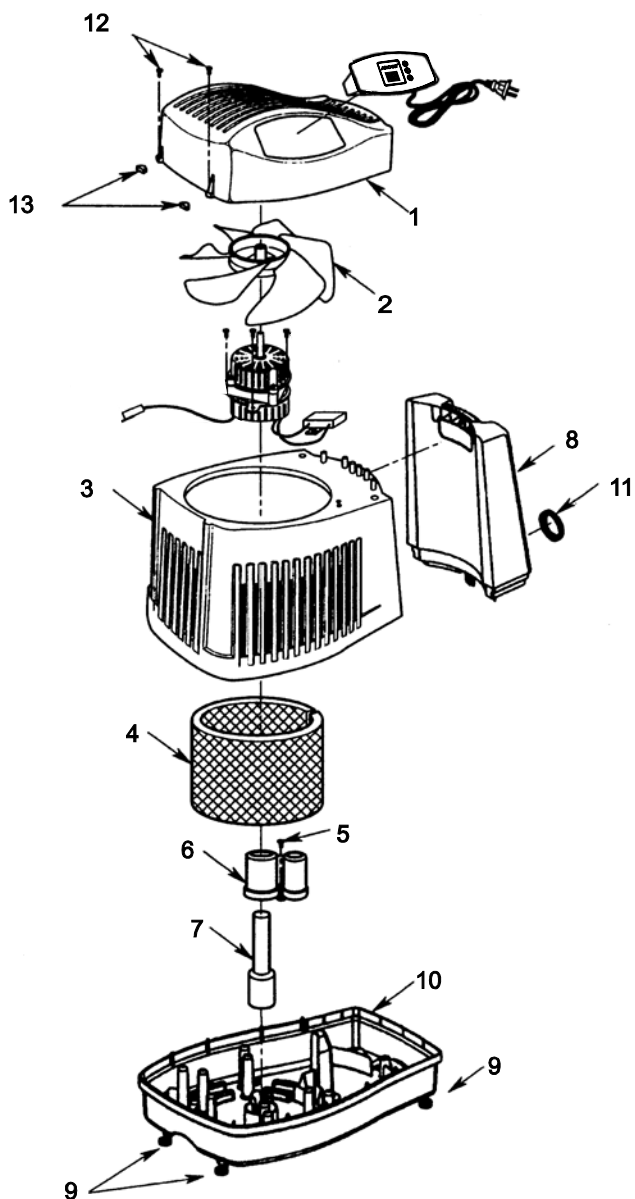
DÉSINFECTION DE L'APPAREIL

- 6) Remplissez de moitié le réservoir avec de l'eau et ajoutez 1 c. à thé d'eau de Javel. Nettoyez toutes les surfaces de la base. Laissez agir la solution pendant 20 minutes, puis rincez à l'eau jusqu'à ce que l'odeur de l'eau de Javel ait disparu. Séchez les surfaces internes avec un chiffon propre. Essuyez l'extérieur de l'appareil avec un chiffon doux imbibé d'eau fraîche.
- 7) Remplissez l'appareil et remontez-le selon les instructions d'**ASSEMBLAGE**.

ENTREPOSAGE PENDANT L'ÉTÉ

- 1) Nettoyez l'appareil tel que décrit au chapitre Nettoyage et entretien.
- 2) Jetez la mèche usagée et videz l'eau restant dans la base ou le réservoir. Laissez l'appareil sécher complètement avant de le ranger. **N'entreposez pas** l'appareil avec de l'eau résiduelle dans le réservoir.
- 3) N'entreposez pas l'appareil dans un grenier ou un endroit où la température est élevée, sous peine de l'endommager.
- 4) Installez un nouveau filtre au début de la saison.

PIÈCES DE RECHANGE



LISTE DE PIÈCES DE RECHANGE

Élément n°	N° de pièce	DESCRIPTION
1	830488	Bâti, ensemble supérieur
2	829821	• Pale, ventilateur
3	830489-1	Bâti, ensemble inférieur
4	MAF-1	† Filtre
5	829815	* Vis à tête cylindrique large ty. AB #6 x 1/2 SS
6	830496-1	Support, flotteur
7	829816	Flotteur, réservoir
8	830537-1	Réservoir, y compris élément n° 11
9	829812	Roulettes (4 pièces comprises)
10	830484-1	Base
11	824690-2	Capuchon, remplissage
12	829805	Vis à tête cylindrique Trx. haut-bas #6 x 3/4
13	830587	Vis d'assemblage
14	1B72677	Manuel du propriétaire (non illustré)

† Article en stock - achetez localement.

- Toute tentative de réparation de l'ensemble de commande ou du moteur par une personne autre qu'un technicien agréé peut créer un danger.
- * Article de quincaillerie standard qu'il est possible de se procurer localement.

Veillez commander par numéro de pièce et non pas par numéro d'élément.

Veillez fournir le numéro de modèle complet.

Pour commander des pièces par téléphone,

appelez : États-Unis : 1-800-547-3888

Canada : 1-866-808-6500

POUR OBTENIR UNE ASSISTANCE TECHNIQUE,
APPELEZ LE (800) 547-3888 depuis les États-Unis,
ou le (888) 744-4687 depuis le Canada

DÉPANNAGE

Problème	Cause probable	Solution
L'affichage numérique ne s'allume pas.	<ul style="list-style-type: none"> • Pas de tension. • Vous n'avez pas appuyé sur le bouton de mise en marche. 	<ul style="list-style-type: none"> • Inspectez la source d'alimentation 120 V. • Appuyez une fois sur le bouton de mise en marche.
Le ventilateur ne fonctionne pas (l'affichage numérique est allumé).	<ul style="list-style-type: none"> • Le niveau d'humidité réel de la pièce (ROOM) n'est pas de 3 % ou plus inférieur au niveau d'humidité programmé (SET). 	<ul style="list-style-type: none"> • Augmentez le niveau d'humidité programmé (SET) si vous le souhaitez.
Le ventilateur fonctionne sans arrêt.	<ul style="list-style-type: none"> • Le niveau d'humidité programmé (SET) est de 65 %. • Le niveau d'humidité réel de la pièce (ROOM) n'a pas atteint un niveau supérieur de 1 % ou plus au niveau d'humidité programmé (SET). 	<ul style="list-style-type: none"> • Un pourcentage d'humidité programmé (SET) de 65 % force le ventilateur à fonctionner en continu. Choisissez un niveau de réglage entre 25 % et 60 %. • Laissez le ventilateur fonctionner jusqu'à ce que le niveau d'humidité souhaité soit atteint. Cela peut prendre jusqu'à 48 heures initialement.
Mauvaise évaporation de l'eau.	<ul style="list-style-type: none"> • Le message CF (Check Filter) clignote. 	<ul style="list-style-type: none"> • Mettez un filtre neuf. <p>REMARQUE : dans certaines régions, l'eau a une forte teneur en minéraux qui entraîne le besoin de changer le filtre plus fréquemment.</p>
Le réservoir se vide complètement.	<ul style="list-style-type: none"> • Ceci est normal pendant le premier remplissage. 	<ul style="list-style-type: none"> • Remplissez le réservoir pour un temps de fonctionnement maximal.
Le réservoir continue à se vider même après avoir été complètement rempli.	<ul style="list-style-type: none"> • De l'air pénètre dans le réservoir. 	<ul style="list-style-type: none"> • Vérifiez que le capuchon du réservoir est fermé de façon étanche, sans interférence de débris. • Vérifiez qu'il n'y a pas de fuite dans le réservoir.
Le réservoir ne se vide pas.	<ul style="list-style-type: none"> • La base est remplie d'eau. 	<ul style="list-style-type: none"> • La base contiendra le contenu du réservoir (1,9 gallon/7,2 litres). Continuez à faire fonctionner l'humidificateur pour vider l'eau de la base.
Le message CF n'est pas affiché, même si le filtre est sale ou la performance de l'humidificateur est nettement réduite.	<ul style="list-style-type: none"> • Une coupure de courant a causé l'effacement prématuré du message CF (inspecter le filtre). 	<ul style="list-style-type: none"> • Remplacez le filtre.
Le ventilateur fonctionne plus lentement que la vitesse figurant sur l'écran d'affichage numérique.	<ul style="list-style-type: none"> • L'humidificateur est en mode de dessèchement (DRY OUT). 	<ul style="list-style-type: none"> • L'humidificateur change automatiquement la vitesse du ventilateur à ULTRA QUIET lorsque le message indiquant le mode DRY OUT (dessèchement) est affiché.
L'humidificateur ne s'arrête pas quand il est en mode DRY OUT (dessèchement).	<ul style="list-style-type: none"> • Le filtre n'est pas sec. 	<ul style="list-style-type: none"> • En mode DRY OUT (dessèchement), l'humidificateur continuera à fonctionner à la vitesse ULTRA QUIET (basse vitesse) suivant les besoins pendant une période de 2 heures.
Les commandes ne répondent pas ou CL est affiché.	<p>La fonction de verrouillage des commandes CONTROL LOCK (CL) a été activée.</p>	<p>Maintenez le bouton d'alimentation enfoncé pendant 5 secondes. La fonction de verrouillage des commandes sera désactivée.</p>

POLITIQUE DE GARANTIE DE L'HUMIDIFICATEUR - À COMPTER
DU 01 JANVIER 2014 :

FACTURE REQUISE COMME PREUVE D'ACHAT POUR TOUTE RÉCLAMATION VISANT À FAIRE VALOIR LA GARANTIE.

Ce produit est garanti contre les défauts de fabrication et de matériaux à compter de la date de vente des composants installés en usine comme indiqué ci-dessous :

2 ans – pour les commandes, le moteur et la base.

1 an – pour les pièces/composants installés en usine tels que les réservoirs et bouchons.

Trente (30) jours pour les mèches et filtres.

Cette garantie s'applique uniquement à l'acheteur original du produit si ce dernier a été acheté chez un détaillant/distributeur de renom.

La présente garantie ne s'applique pas aux dommages résultant d'un accident, d'un emploi non conforme, d'une modification, de réparations non autorisées, d'un usage non autorisé, d'une manipulation sans précaution, d'une utilisation déraisonnable, d'un abus, y compris le fait de pas avoir procédé à une maintenance raisonnable, de l'usure normale, d'un emploi sur un circuit électrique caractérisé par une tension supérieure de plus de 5 % à la tension nominale indiquée sur la plaque signalétique, ou d'une installation, d'un câblage ou d'un entretien d'équipements ou de produits ne respectant pas les instructions de ce mode d'emploi.

Les modifications comprennent la substitution d'éléments de marque, y compris, mais non limités à, les mèches et le traitement des bactéries.

CE PRODUIT N'EST PAS DESTINÉ À UN USAGE COMMERCIAL. CECI EST LA SEULE ET UNIQUE GARANTIE ACCORDÉE PAR LE FABRICANT RELATIVE AUX PRODUITS ET, DANS LA MESURE MAXIMALE AUTORISÉE PAR LA LOI, ELLE SE SUBSTITUE À TOUTES LES AUTRES GARANTIES ET CONDITIONS, EXPLICITES ET IMPLICITES, OCTROYÉES PAR LA LOI OU AUTREMENT, Y COMPRIS, MAIS DE FAÇON NON LIMITATIVE, LES GARANTIES DE QUALITÉ MARCHANDE ET/OU D'ADÉQUATION À UN BUT PARTICULIER.

Aucun employé, agent, revendeur ou autre individu n'est autorisé à accorder des garanties ou des conditions au nom du fabricant. Le client devra assumer tous les coûts de main-d'oeuvre engagés.

Dans les limites de cette garantie, l'acheteur en possession d'un appareil défectueux doit contacter le service client au 800-547-3888 pour obtenir des instructions sur la façon d'obtenir des pièces de rechange sous garantie comme indiqué ci-dessus. Une copie de la facture d'achat est nécessaire afin de faire valoir la garantie sur les pièces. Le fabricant remplacera la pièce/le produit défectueux, à sa discrétion, en prenant à sa charge les frais de transport pour le renvoi du produit au client. Il est convenu qu'un tel remplacement est le seul recours offert par le fabricant et que, DANS LA MESURE MAXIMALE AUTORISÉE PAR LA LOI, LE FABRICANT NE SAURAIT ÊTRE TENU RESPONSABLE DE DOMMAGES QUELCONQUES, Y COMPRIS DES DOMMAGES ACCESSOIRES OU SECONDAIRES, OU DES PERTES DE BÉNÉFICES OU DE REVENUS.

Cette garantie sera considérée comme nulle et non avenue si l'acheteur tente de réparer ou remplacer des pièces mécaniques ou électriques.

La garantie confère des droits spécifiques au client, et ce dernier peut également jouir d'autres droits en fonction de la Province ou de l'État dans lequel il réside.

This page intentionally left blank

Cette page est intentionnellement laissée en blanc

Esta página ha sido dejada en blanco intencionalmente

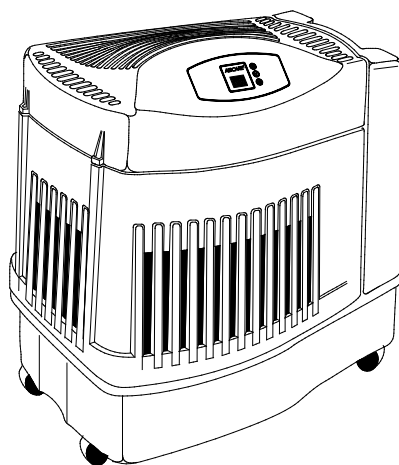
AIRCARE®

CONSOLA HUMIDIFICADOR POR EVAPORACIÓN

MODELO

MA1201

GUÍA DE USO Y
CUIDADO



- ▶ Humidistato automático
- ▶ 4 velocidades del ventilador
- ▶ Envase fácil de llenar
- ▶ Cuatro ruedas



PARA ADQUIRIR PIEZAS Y ACCESORIOS LLAME AL 1.800.547.3888

LA COMODIDAD ESTÁ EN EL AIRE

MEDIDAS DE SEGURIDAD IMPORTANTES

Instrucciones generales de seguridad

LÉALAS ANTES DE USAR SU HUMIDIFICADOR

PELIGRO: significa que si no se respeta la información de seguridad, alguien puede resultar seriamente herido o muerto.

PRECAUCIÓN: significa que si no se respeta la información de seguridad, alguien podría resultar seriamente herido o muerto.

ADVERTENCIA: significa que si no se respeta la información de seguridad, alguien podría resultar herido.

1. Para reducir el riesgo de incendio o descarga eléctrica, este humidificador posee un enchufe polarizado (una espiga es más ancha que la otra). Enchufe el humidificador directamente a un tomacorriente eléctrico de 120 V de corriente alterna (CA). No utilice cables prolongadores. Si el enchufe no encaja completamente en el tomacorriente, inviértalo. Si aún así no encaja, contacte a un electricista calificado para que instale el tomacorriente adecuado. No cambie el enchufe de ninguna manera.
2. Mantenga el cable fuera de las áreas de tránsito. Para reducir el riesgo de peligro de incendio, nunca coloque el cable debajo de alfombras, cerca de fuentes de calor, radiadores, cocinas o calentadores.
3. Desenchufe siempre la unidad antes de mover, limpiar o retirar la parte del módulo del ventilador del humidificador, o cuando no esté funcionando.
4. Mantenga el humidificador limpio. Para reducir el riesgo de lesiones, incendio o daños al humidificador, utilice solamente limpiadores recomendados específicamente para humidificadores. Nunca utilice materiales inflamables, combustibles o tóxicos para limpiar su humidificador.
5. No coloque objetos extraños dentro del humidificador.
6. No permita que la unidad se utilice como un juguete. Se debe prestar especial atención cuando es utilizado por o cerca de niños.
7. Para reducir el riesgo de peligro eléctrico o daño al humidificador, no lo mueva, sacuda ni incline mientras la unidad esté en funcionamiento.
8. Para reducir el riesgo de descargas eléctricas accidentales, no toque el cable ni los controles con las manos húmedas.
9. Para reducir el riesgo de incendio, no lo utilice cerca de una fuente de fuego abierta, como una vela u otra fuente de fuego.

PRECAUCIÓN: Por su propia seguridad, si alguna parte faltara o estuviera dañada, no utilice el humidificador.

PRECAUCIÓN: Para reducir el riesgo de incendio, descarga eléctrica o daños, siempre desconecte la unidad antes de realizar el mantenimiento o la limpieza.

PRECAUCIÓN: Para reducir el riesgo de incendio o electrocución, no vierta ni derrame agua sobre la zona del motor o del control. Si se mojan los controles, déjelos secar completamente y haga revisar la unidad por personal de mantenimiento autorizado antes de conectarla.

INTRODUCCIÓN

Su nuevo humidificador añade humedad invisible a su hogar desplazando aire seco a través de una mecha saturada. A medida que el aire atraviesa la mecha, el agua se evapora en el aire, dejando atrás polvo blanco, minerales o sólidos disueltos o suspendidos. Debido a que el agua se evapora, queda solamente aire húmedo, limpio e invisible.

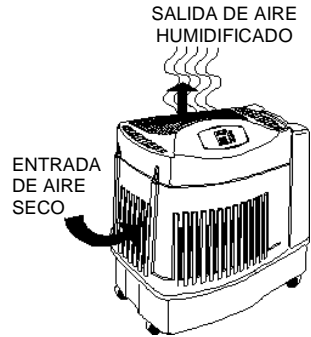
A medida que la mecha de evaporación atrapa los minerales acumulados en el agua, se reduce su capacidad de absorber y evaporar agua. Se recomienda cambiar la mecha al comienzo de la estación. En áreas de aguas duras, deberá reemplazarla con más frecuencia para mantener la eficiencia de su humidificador.

Utilice únicamente mechas de repuesto y químicos AIRCARE® o MoistAIR/Essick Air®. Para solicitar piezas, mechas y químicos llame al 1-800-547-3888. Lo humidificador uso mecha N° MAF1. Sólo la mecha de evaporación AIRCARE o MoistAIR/Essick Air garantiza el rendimiento certificado de su humidificador. El uso de mechas de otras marcas anulala certificación de rendimiento y puede anular su garantía.

FUNCIONAMIENTO DE SU HUMIFICADOR

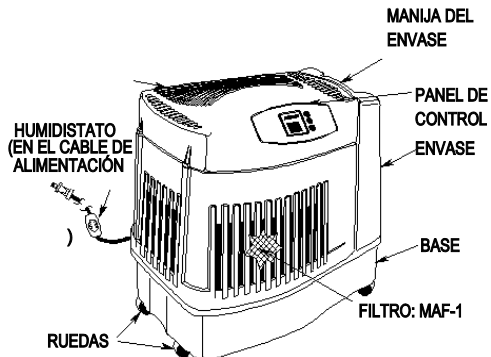
El aire seco se introduce en el humidificador por los laterales, y luego el aire se humedece a medida que pasa por la mecha saturada de evaporación en el depósito.

Luego el aire humidificado se esparce en la habitación por la rejilla superior.



Descripción	MA1201
*Rendimiento en 24 horas	12 galones
Capacidad de agua	3,5 galones
Cobertura en pies cuadrados	3000+ (construcción estanca)
	2500 (construcción regular)
Velocidades del ventilador	4
Mecha de repuesto	N°. MAF1
Humidistato automático	Sí
Indicación de rellenado	Sí
Controles	Digitales
Ruedas	Sí (4)
Cumple con ETL/CETL Listed	Sí
Voltios	120
Hercios	60
Vatios	80

CONOZCA SU HUMIFICADOR



*Con base en una zona con aislamiento normal y una altura de 8' de techo ANSI / AHAM HU-1-1997. SEC. 8.1. Los resultados pueden variar.

MONTAJE

1. Desembale el humidificador. Retire el manual.
2. Retire todo el material de embalaje. Retire de la caja las ruedas, el conjunto de carcasa y el filtro.

RUEDAS

3. Coloque el gabinete vacío boca abajo. Introduzca manualmente el eje de cada rueda en uno de los cuatro orificios de las ruedas. No utilice herramientas. Las ruedas deben encajar perfectamente e insertarse hasta que el tope del eje alcance la superficie del gabinete.
4. Coloque el gabinete boca arriba.

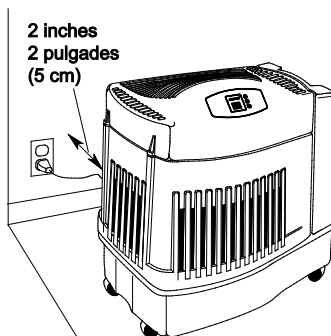
NOTAS SOBRE LA UBICACIÓN:

Con el fin de conseguir un uso más efectivo del humidificador, es importante colocar la unidad donde se requiera la mayor cantidad de humedad o en el lugar de la casa donde circulará la mayor cantidad de aire; por ejemplo, cerca de un retorno de aire frío. Si la unidad se coloca cerca de una ventana, puede formarse condensación en el cristal de la ventana. Si esto sucede, se debe colocar la unidad en otro lugar.

NO sitúe la unidad directamente delante de un conducto de aire caliente o radiador. NO coloque la unidad sobre una alfombra mullida.

Debido a que el humidificador emite aire frío y húmedo, se recomienda orientar la dirección del aire lejos del termostato y de las rejillas de aire caliente. Coloque el humidificador cerca de una pared interna en un lugar nivelado a 10 centímetros de distancia, como mínimo, de la pared o de las cortinas.

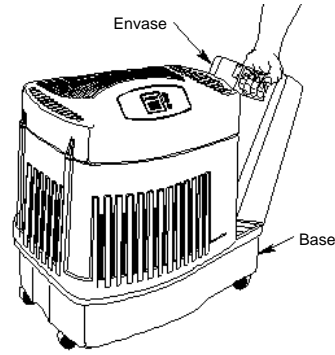
Localice el tomacorriente de pared de 120 V C.A. más cercano en la ubicación deseada, preferiblemente en una pared interior. Con el humidificador en la ubicación deseada, dirija el cordón eléctrico de modo seguro para que nadie tropiece con él ni desajuste el humidificador. Enchufe el cordón eléctrico.



LLENADO

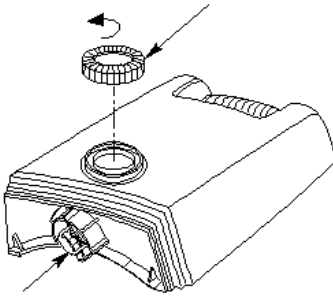
El envase se levanta hacia arriba y lejos de la base. Tenga cuidado de no golpear o dañar el conjunto de la válvula de llenado en la parte inferior del envase.

Retire la tapa de llenado lateral y llene con agua. Reemplace la tapa y gire con la mano hasta que quede firme. Sostenga el envase en posición vertical sobre el fregadero. Presione hacia arriba el émbolo de la válvula durante un segundo para liberar una pequeña cantidad de agua. Si escucha burbujas de aire o ve pérdidas alrededor de la tapa de llenado lateral o del conjunto de la válvula de primavera, vuelva a apretar y a revisar.

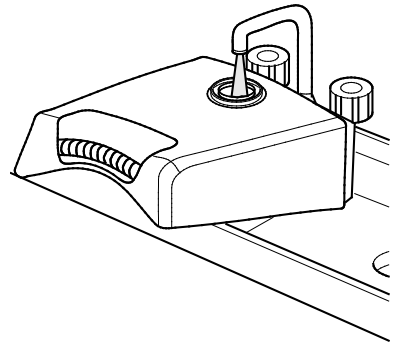


ADVERTENCIA: Utilice únicamente un bactericida registrado por la EPA (Agencia de Protección Ambiental) Bajo ninguna circunstancia se debe utilizar productos de tratamiento de agua diseñados para humidificadores Rotobelt o ultrasónicos

Gire a la izquierda para quitar la tapa de llenado lateral



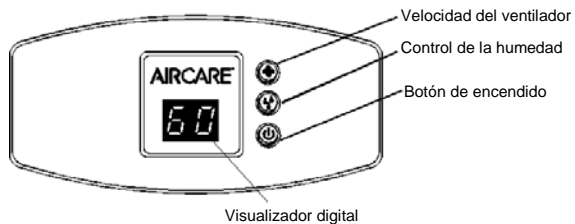
Conjunto de la válvula de primavera



Coloque de nuevo el envase de agua en la base del humidificador. Cuando se coloca correctamente, el émbolo se abrirá y el agua fluirá en la base. La base mantendrá todo el contenido del envase de agua. Una vez que el envase esté vacío, retírelo y repita el proceso de llenado. Ahora el humidificador está lleno a capacidad. Para beneficiarse de llenar con menos frecuencia, antes de llenar, deje que el humidificador haga escapar el agua del envase y de la base.

OPERACIÓN

Esta unidad posee un panel de control digital que le permite regular la velocidad del ventilador y el nivel de humedad, así como también visualizar la información sobre el estado de la unidad.



VISUALIZADOR DIGITAL

Para encender la unidad, presione una vez el botón de encendido*. Inicialmente hay un ligero retraso mientras se calibra el sistema electrónico. Durante este tiempo aparecen dos barras (- -). Cuando se complete la calibración, se visualizará una lectura de humedad ambiente de entre 20 y 95 %. Una visualización intermitente de 20 indica que la humedad de la habitación es inferior al 20 %.

NOTA: Los ajustes predeterminados en el encendido inicial son: velocidad del ventilador F1 (ultra silenciosa) y ajuste de humedad del 65 %. Una vez que el usuario seleccione los ajustes deseados, se mantienen siempre y cuando la unidad permanezca conectada y no haya interrupción de energía. Si se desenchufa la unidad, se emplean los ajustes predeterminados originales.

ACERCA DE LA HUMEDAD

El punto en el que ajuste los niveles de humedad deseados depende de su nivel de comodidad personal, la temperatura exterior y la temperatura interior.

NOTA: Pruebas recientes de los CDC muestran que las posibilidades de transmisión de la gripe se reducen en gran medida a niveles de 43% de humedad. Es posible que desee comprar un higrómetro para medir el nivel de humedad en su hogar. El siguiente es un diagrama de ajustes de humedad recomendados.

IMPORTANTE: El agua puede producir daños si comienza a formarse condensación en ventanas o paredes. Debe disminuirse el punto de AJUSTE de la humedad hasta que ya no se forme condensación. Se recomienda que los niveles de humedad de la habitación no excedan el 50%.

Cuando la temperatura exterior es de:		La humedad relativa (HR) interior recomendada es del
°F	°C	
-20	-30°	15 - 20%
-10°	-24°	20 - 25%
2°	-18°	25 - 30%
10°	-12°	30 - 35%
20°	-6°	35 - 40%
30°	-1°	40 - 45%

CONTROL DE LA HUMEDAD



NOTA: Cuando configure la unidad por primera vez, espere de 10 a 15 minutos para que el humidistato se adapte a la habitación.

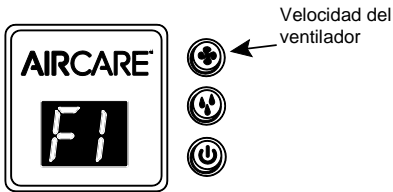
La unidad MA1201 posee un humidistato automático situado en el cable, que mide la humedad relativa de la habitación.

Cuando el nivel de humedad seleccionado

desciende un 3% por debajo de la humedad relativa, el humidificador entra en un ciclo de encendido y apagado, según se requiera, para mantener el ajuste seleccionado. Esto le permite ajustar la humedad para adaptarse a sus necesidades. Cuando se presiona el botón de control de humedad, el lector muestra los porcentajes (%) de los ajustes de la humedad real del ambiente y la humedad deseada. El lector de ambiente tiene un rango del 20 al 95 %. Si el nivel de humedad de la habitación es igual o inferior al 20 %, el visualizador mostrará un 20 intermitente.

El lector de ajustes tiene un rango del 25 al 65 % y se ajusta en incrementos del 5 %. Al presionar inicialmente el botón de la humedad, se mostrará el ajuste de humedad actual. Cada vez que presione este botón se aumenta el ajuste al 5 %. Un punto de ajuste del 65 % hace que el humidificador funcione de forma continua, independientemente de la lectura del ambiente.

CONTROL DE VELOCIDAD



Este humidificador está equipado con un control del ventilador de 4 velocidades.

Al presionar inicialmente el botón de velocidad, se mostrará el ajuste de velocidad actual. Cada vez que se presiona el botón de velocidad, se avanza por los ajustes de ALTA (HIGH) **F4**, MEDIA (MEDIUM) **F3**, BAJA (LOW) **F2**, y ULTRA SILENCIOSA (ULTRA QUIET) **F1**.

La letra "A" aparece cuando se selecciona el humidistato automático. Este ajuste permite que el humidistato automático seleccione la velocidad del ventilador necesaria para mantener el nivel de humedad deseado.

El ajuste seleccionado se visualiza en el lector digital. Cuanto mayor sea el ajuste, el agua se evapora y se libera en el aire más rápido. F1 (ultra silenciosa) es la configuración más silenciosa y se proporciona en condiciones que no requieren una tasa de evaporación rápida.

* El ventilador del humidificador debe funcionar en el encendido inicial. En caso contrario, consulte "El ventilador no funciona (el visualizador digital se ilumina)" en la sección "Resolución de problemas".

OTRAS FUNCIONES E INDICACIONES

CONTROL DEL FILTRO

La capacidad de cualquier humidificador para suministrar de manera eficiente humedad depende en gran medida de la condición del filtro. A medida que el filtro se carga con impurezas, pierde gradualmente su capacidad de mecha. Cuando esto ocurre, la producción de humedad se reduce y el humidificador tiene que trabajar más tiempo para satisfacer el ajuste seleccionado.

- 1) Este humidificador posee un recordatorio de control de filtro programado para dar aviso después de 720 horas de funcionamiento. Cuando el mensaje de control del filtro (CF) aparezca en el visualizador, desconecte el cable de alimentación y controle el estado del filtro. Si es evidente que hay una acumulación de depósitos o una decoloración intensa, reemplace el filtro para restablecer la máxima eficiencia.

La función CF vuelve a cero luego de conectar la unidad nuevamente.



Visualización de la función de control del filtro

- 2) Cuando la unidad se encuentre sin agua, aparecerá una F intermitente en el visualizador.



Una F intermitente indica que la unidad necesita ser llenada.

SECADO AUTOMÁTICO

En este momento la unidad pasará automáticamente al **MODO DE SECADO AUTOMÁTICO** y continuará funcionando a la velocidad más baja hasta que el filtro esté completamente seco. El ventilador se apagará y dejará su humidificador seco y menos propenso a la aparición de humedad y moho.

FUNCIÓN DE BLOQUEO DEL CONTROL

Para evitar que los ajustes del humidificador se vean alterados involuntariamente, los controles pueden bloquearse.



Visualización de bloqueo del control

PROCEDIMIENTO DE ACTIVACIÓN

Después de configurar las funciones del humidificador, mantenga presionado el botón de encendido durante 5 segundos. El visualizador mostrará “CL” por 2 segundos; suelte el botón de encendido y el control volverá a mostrar la humedad de la habitación. El humidificador seguirá funcionando con los ajustes bloqueados. Si se operan los botones mientras el bloqueo del control (“CL”) está activado, el visualizador mostrará “CL” y los ajustes no se modificarán.

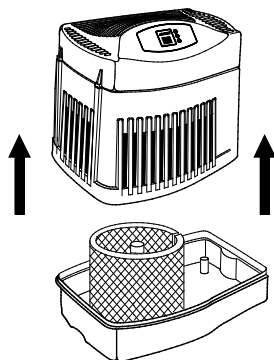
PROCEDIMIENTO DE DESACTIVACIÓN

Para desactivar la función de bloqueo del control (“CL”), solo mantenga presionado el botón de encendido durante 5 segundos. “CL” parpadeará a razón de 1 segundo encendido y 1 segundo apagado durante 2 segundos y, luego, volverá a mostrar la humedad de la habitación.

CUIDADO Y REEMPLAZO DEL FILTRO

Reemplace el filtro de mecha de evaporación al menos una vez por temporada de humidificación o más, dependiendo de las condiciones del agua de su zona. También se recomienda usar bactericida para mantener la eficacia del filtro y de la unidad.

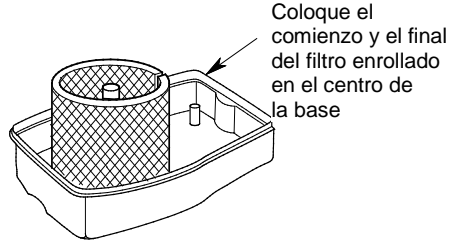
- 1) Desenchufe el humidificador. Antes de quitar el filtro, recomendamos trasladar el humidificador a un lugar donde los revestimientos del piso no estén propensos a sufrir daños por causa del agua. (por ejemplo, zonas de cocina o de baño).
- 2) Quite el envase de agua y póngalo a un lado. Asegúrese de no golpear ni dañar la válvula de llenado.
- 3) Sujete el conjunto de la carcasa, levántelo directamente hacia arriba, alejándolo de la base, y póngalo a un lado. Una vez hecho esto, tendrá acceso al filtro.



4) Fíjese en la posición del filtro. Retire el filtro. Puede que quiera limpiar la base en este momento. Consulte la sección “Limpieza y mantenimiento” de este manual.

5) Instale un filtro nuevo (MAF-1) en la base. Enrolle el filtro y colóquelo entre los postes ubicados en el fondo de la base.

El comienzo y el final del arrollamiento deben quedar capturados en el centro de la base (consulte la ilustración) y el filtro debe estar escansando en el piso de la base.



6) Retorne el conjunto de la carcasa a la parte superior de la base. Coloque de nuevo el humidificador en su posición de funcionamiento. Una vez hecho esto, el humidificador estará listo para ser llenado con el fin de utilizarlo.

CUIDADO Y MANTENIMIENTO

Limpiar frecuentemente su humidificador ayuda a eliminar los olores y el desarrollo de hongos y bacterias. El blanqueador doméstico común es un buen desinfectante y se puede usar para repasar la base del humidificador, la botella y el depósito después de limpiarlos. Recomendamos limpiar su humidificador al menos una vez cada dos semanas para mantener las condiciones ambientales óptimas para su hogar. **Asimismo se recomienda utilizar el Tratamiento Antibacteriano AIRCARE® o Essick Air cada vez que rellene su humidificador para eliminar el desarrollo de bacterias.** Añada el bactericida según las instrucciones del envase. Para adquirir el Tratamiento Antibacteriano (N.º de referencia 1970), comuníquese al 1-800-547-3888.

1) Apague la unidad completamente y desconéctela del tomacorriente.

2) Retire el armazón.

3) Traslade la base a un lavabo. Levante la mecha de la base para permitir que se escurra el agua. Enjuague la mecha únicamente con agua dulce. No utilice jabón, detergente ni cualquier otro producto de limpieza en la mecha. Deje escurrir en la pileta.

ELIMINACIÓN DEL SARRO

- 4) Vierta cualquier resto de agua de la base y del envase de agua. Llene la base y el envase por la mitad con agua y añada 250 cc (una taza) de vinagre blanco sin diluir a cada uno. Deje reposar durante 20 minutos. Luego vierta la solución.
- 5) Humedezca un paño suave con vinagre blanco sin diluir y repase la base para eliminar el sarro. Enjuague completamente el envase de agua y la base con agua limpia para eliminar el sarro y la solución de limpieza antes de la desinfección.

DESINFECCIÓN DE LA UNIDAD

- 6) Llene el depósito y el envase por la mitad con agua y añada una cucharadita de blanqueador a cada uno. Limpie todas las superficies del gabinete. Deje actuar la solución durante 20 minutos. Luego, enjuague con agua hasta que el olor del blanqueador desaparezca. Seque las superficies interiores con un paño limpio. Limpie el exterior de la unidad con un paño suave humedecido en agua limpia
- 7) Vuelva a montar y llenar la unidad de acuerdo con las **instrucciones de MONTAJE**.

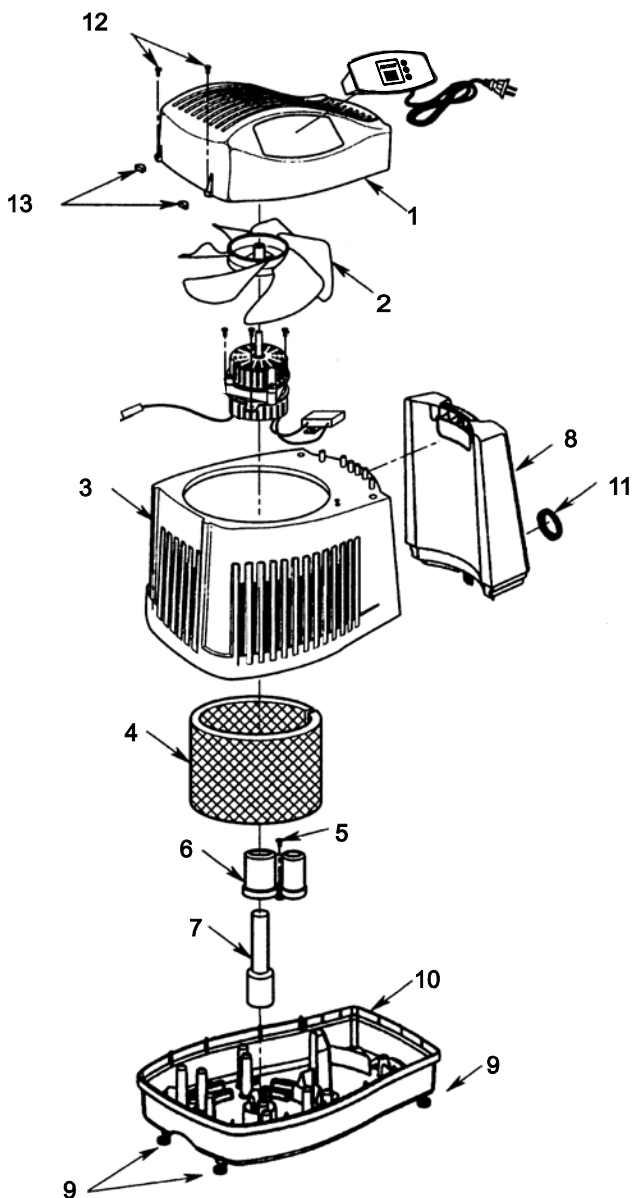
ALMACENAMIENTO DURANTE EL VERANO

- 1) Limpie la unidad como se describe en la sección Cuidado y mantenimiento.
- 2) Deseche la mecha usada y vierta cualquier resto de agua de la base o el envase. Deje secar la unidad completamente antes del almacenamiento. **No** guarde la unidad con agua en el depósito.
- 3) No guarde la unidad en un ático u otra zona de alta temperatura, ya que podrían producirse daños.
- 4) Instale un nuevo filtro al comienzo de la estación.

GUÍA DE RESOLUCIÓN DE PROBLEMAS

Problema	Causa probable	Solución
El visualizador digital no se ilumina.	<ul style="list-style-type: none"> No hay energía. No se ha presionado el botón de encendido. 	<ul style="list-style-type: none"> Compruebe la fuente de alimentación de 120 V. Para encender la unidad, presione una vez el botón de encendido.
El ventilador no funciona (el visualizador digital se ilumina).	<ul style="list-style-type: none"> El nivel de humedad AMBIENTE no está un 3 % o más por debajo del nivel de AJUSTE de humedad. 	<ul style="list-style-type: none"> Suba el nivel de AJUSTE de humedad si lo desea.
El ventilador está en marcha continuamente.	<ul style="list-style-type: none"> El nivel de AJUSTE de humedad es del 65 %. El nivel de humedad AMBIENTE no ha alcanzado un 1 % o más por encima del nivel de AJUSTE de humedad. 	<ul style="list-style-type: none"> Un porcentaje de AJUSTE de humedad del 65 % hace que el ventilador funcione continuamente. Gradúe el nivel de AJUSTE entre 25 y 60 %. Continúe haciendo funcionar la unidad hasta que se logre el nivel de humedad deseado. Esto podría tardar hasta 48 horas inicialmente.
Mala evaporación de agua.	<ul style="list-style-type: none"> El mensaje de control del filtro (CF) parpadea. 	<ul style="list-style-type: none"> Cambie el filtro por un filtro totalmente nuevo. <p>NOTA: La pureza del agua local varía de una zona a otra y bajo determinadas condiciones los minerales se acumularán más rápidamente en el filtro.</p>
El envase se vacía completamente.	<ul style="list-style-type: none"> Esto es normal para el llenado inicial. 	<ul style="list-style-type: none"> Rellene el envase para lograr el máximo tiempo de funcionamiento.
El envase continúa vaciándose después de llenarlo completamente.	<ul style="list-style-type: none"> Está entrando aire en el envase de agua. 	<ul style="list-style-type: none"> Asegúrese de que la tapa de llenado esté apretada, sin residuos interferentes. Compruebe si hay una pérdida en el envase de agua.
El envase no se vacía.	<ul style="list-style-type: none"> La base está llena de agua. 	<ul style="list-style-type: none"> La base mantendrá el contenido del envase de agua (1,9 galones o 7,2 litros). Continúe haciendo funcionar el humidificador para agotar el agua de la base.
El mensaje de control del filtro (CF) no aparece, incluso cuando el filtro está sucio o el rendimiento del humidificador es claramente reducido.	<ul style="list-style-type: none"> Una pérdida de energía ha causado que el mensaje CF se reinicie de forma prematura. 	<ul style="list-style-type: none"> Reemplace el filtro.
El ventilador funciona más despacio que la velocidad registrada en el visualizador digital.	<ul style="list-style-type: none"> El humidificador está en modo de SECADO AUTOMÁTICO. 	<ul style="list-style-type: none"> El humidificador cambia automáticamente la velocidad del ventilador a ULTRA SILENCIOSA cuando se visualiza el mensaje de modo de SECADO AUTOMÁTICO.
El humidificador no se apaga durante el modo de SECADO AUTOMÁTICO.	<ul style="list-style-type: none"> El filtro no está seco. 	<ul style="list-style-type: none"> Durante el modo de SECADO AUTOMÁTICO, el humidificador continuará funcionando a velocidad ULTRA SILENCIOSA según se requiera durante 2 horas.
Los controles no responden se visualiza CL.	<ul style="list-style-type: none"> La función de BLOQUEO DEL CONTROL (CL) ha sido activada. 	<ul style="list-style-type: none"> Mantenga presionado el botón de encendido durante 5 segundos. La función de bloqueo del control se desactivará.

IDENTIFICADOR DE PIEZAS DE REPUESTO



LISTA DE PIEZAS DE REPUESTO

N.º DE ARTÍCULO	N.º DE PIEZA	DESCRIPCIÓN
1	830488	Carcasa superior
2	829821	• Aspa del ventilador
3	830489-1	Carcasa inferior
4	MAF1	† Filtro
5	829815	* Tornillo, Pan Hd. Ty. AB #6 x 1/2 SS
6	830496-1	Soporte del flotador
7	829816	Depósito del flotador
8	830537-1	Envase con clave #11
9	829812	Ruedas (4)
10	830484-1	Base
11	824690-2	Tapa de llenado
12	829805	Tornillo, Pan Hd. Trx. Hi-Lo #6 x 3/4
13	830587	Tapa de tornillo
14	1B72112	Manual del usuario (no se muestra)

† Artículo de existencias. Compre en su tienda local.

- Cualquier intento de reparar el conjunto de los controles o el motor puede crear un peligro a menos que la reparación sea realizada por un técnico de servicio calificado.

* Artículo estándar de ferretería. Puede adquirirse localmente.

Realice los encargos por el número de pieza y no por el número de artículo.

Tenga a su alcance el número de modelo completo.

Para solicitar piezas, llame al: EE.UU.: 1-800-547-3888

Canadá: 1-866-808-6500

PARA OBTENER ASISTENCIA TÉCNICA,
LLAME AL(800) 547-3888 EE.UU.,
o al (888) 744-4687 CANADÁ

PÓLIZA DE GARANTÍA DEL HUMIDIFICADOR - VÁLIDA AL
1 DE ENERO DE 2014:

PARA CUALQUIER RECLAMO RELACIONADO CON LA GARANTÍA ES NECESARIO PRESENTAR EL RECIBO COMO PRUEBA DE COMPRA.

Este producto posee garantía por defectos en la fabricación y en los materiales a partir de la fecha de venta de componentes instalados en fábrica según se detalla a continuación:

2 años en el control, el motor y el gabinete.

1 año en piezas y componentes instalados en fábrica, como los envases y las tapas del envase.

Treinta (30) días en mechas y filtros.

Esta garantía es aplicable solamente al comprador original del producto siempre que haya adquirido el producto en una tienda o un distribuidor de buena reputación.

Esta garantía no es aplicable a productos que se hayan dañado como consecuencia de accidentes, uso indebido, alteraciones, reparaciones no autorizadas, uso no autorizado, manipulación incorrecta, uso no razonable, abuso, incluida la falta de mantenimiento razonable, el desgaste normal o cuando la tensión de conexión supera en más de 5% aquella especificada en la placa del fabricante. Asimismo, esta garantía tampoco es aplicable al equipo o a los productos que fueran instalados, conectados o sometidos a mantenimiento de forma incorrecta sin seguir las especificaciones de este Manual del Usuario.

Las alteraciones que puede sufrir el producto incluyen la sustitución de componentes de marca, incluido el tratamiento de bacterias y mechas.

ESTE PRODUCTO NO FUE DISEÑADO PARA USO COMERCIAL. LA PRESENTE ES LA ÚNICA GARANTÍA QUE OFRECE EL FABRICANTE CON RESPECTO A LOS PRODUCTOS Y, HASTA EL GRADO MÁXIMO PERMITIDO POR LA LEY, REEMPLAZA A CUALQUIER OTRA GARANTÍA, POR ESCRITO O TÁCITA, QUE OPERE DE PLENO DERECHO O DE OTRA FORMA. SE INCLUYE, SIN LIMITACIONES, LA COMERCIABILIDAD Y/O APTITUD PARA UN PROPÓSITO EN PARTICULAR.

Los empleados, agentes, distribuidores u otras personas no se encuentran autorizados a brindar garantías o condiciones en nombre del fabricante. El cliente será responsable por todos los costos de mano de obra incurridos.

Dentro de las limitaciones de la presente garantía, el comprador que tanga unidades fuera de funcionamiento debe comunicarse con el servicio de atención al cliente al 800-547-3888 para obtener instrucciones sobre cómo obtener las piezas de repuesto dentro de la garantía, como se indica anteriormente. Se requiere una copia del recibo de venta antes de que la garantía de cualquier pieza se considere válida. El fabricante reemplazará la parte o producto defectuoso, según lo crea conveniente, y se hará cargo de los gastos de envío de la devolución al cliente. Se acuerda que el reemplazo es la única solución que el fabricante tiene disponible. **ASIMISMO, HASTA EL GRADO MÁXIMO PERMITIDO POR LA LEY, EL FABRICANTE NO SE HACE RESPONSABLE POR LOS DAÑOS DE CUALQUIER TIPO, INCLUIDOS DAÑOS INCIDENTALES Y EMERGENTES, O LA PÉRDIDA DE GANANCIAS O INGRESOS.**

Esta garantía se anulará si el comprador intenta reparar o reemplazar cualquier pieza mecánica o eléctrica.

Esta garantía le confiere al cliente derechos específicos. Además, el cliente puede gozar de otros derechos que varían según la provincia o el estado.

AIRCARE®

ESSICK AIR PRODUCTS

5800 MURRAY ST.
LITTLE ROCK, AR. 72209

www.essickair.com
1-800-547-3888