

**USER'S MANUAL**  
**for**  
**COM-PAX-IAL PLASTIC BLOWERS**

**8" BLOWERS**

9533  
9533-15  
9533-25  
9533-C  
9533-15C  
9533-25C  
9533-E  
9533-15E  
9533-25E  
9533-AU  
9533-15AU  
9533-25AU  
9536 (DC)  
9536-15 (DC)  
9536-25 (DC)  
9538 (EX)  
9538-E (EX)  
9538-15 (EX)  
9538-15E (EX)  
9538-25 (EX)  
9538-25E (EX)

**12" BLOWERS**

9543  
9543-E  
9543-15  
9543-15E  
9543-25  
9543-25E  
9546 (DC)  
9546-15 (DC)  
9546-25 (DC)  
9548 (EX)  
9548-E (EX)  
9548-15 (EX)  
9548-15E (EX)

**16" BLOWERS**

9553  
9553-15  
9553-25

**ALLEGRO<sup>®</sup>**  
I N D U S T R I E S



Read and understand all instructions before using this product. Open carton carefully and inspect product for damage caused by carrier. If any damage is found, report and submit claim to carrier.

## TABLE OF CONTENTS

	<u>PAGE</u>
INTRODUCTION .....	3
DESCRIPTION .....	3
SAFETY PRECAUTIONS .....	4-5
WARNINGS AND LIMITATIONS .....	5-6
OPERATION .....	7-9
SPECIFICATIONS .....	10-11
HAZARDOUS LOCATION REQUIREMENTS .....	12
MAINTENANCE .....	12-13
STORAGE .....	13
WARRANTY/RETURN POLICY .....	14-15

## INTRODUCTION

This manual provides instructions for the use and maintenance of Allegro Industries Com-pax-ial Blowers. You must read and understand this manual and be trained in the proper use of the equipment before using it in a contaminated atmosphere.

There are many federal, state and local codes and regulations governing sales, construction, installation and/or use of products for certain purposes, which may vary. Allegro cannot be responsible for how the products are used and installed. Before purchase and use, the buyer must review the product application, and be sure that the product installation and use will comply with those regulations.

For more information and assistance on Allegro Industries products, contact Allegro Technical support toll free at 1-800-622-3530 or e-mail at: [techsvc@allegrosafety.com](mailto:techsvc@allegrosafety.com)

## DESCRIPTION

Allegro Com-pax-ial Plastic Blowers are designed to offer high output CFM in easy-to-use portable, air-over-motor configurations with a quick-connect canister ducting system for either ventilation (output side) or extraction (input side) of air without the use of tools. They are available in outputs from 816 up to 3200 CFM of free air. Blowers are available in a range of styles, sizes and power. For Explosion-Proof Blowers, the receptacle should be installed by qualified personnel and is sold separately.

9533	8" AC Plastic Blower
9533-15	8" AC Plastic Blower w/15' ducting & canister
9533-25	8" AC Plastic Blower w/25' ducting & canister
9533-C	8" AC Plastic Blower
9533-15C	8" AC Plastic Blower w/15' ducting & canister
9533-25C	8" AC Plastic Blower w/25' ducting & canister
9533-E	8" 220V/50Hz Plastic Blower
9533-15E	8" 220V/50Hz Plastic Blower w/15' ducting & canister
9533-25E	8" 220V/50Hz Plastic Blower w/25' ducting & canister
9533-AU	8" 220V/50Hz Plastic Blower (Australian Plug)
9533-15AU	8" 220V/50Hz Plastic Blower w/15' ducting & canister (Australian Plug)
9533-25AU	8" 220V/50Hz Plastic Blower w/25' ducting & canister (Australian Plug)
9536	8" 12VDC Plastic Blower
9536-15	8" 12VDC Plastic Blower w/15' ducting & canister
9536-25	8" 12VDC Plastic Blower w/25' ducting & canister
9538	8" AC Explosion Proof Plastic Blower
9538-E	8" AC Explosion Proof Plastic Blower (220V, 50 Hz)
9538-15	8" AC Explosion Proof Plastic Blower w/15' ducting & canister
9538-15E	8" AC Explosion Proof Plastic Blower w/15' ducting & canister (220V, 50 Hz)
9538-25	8" AC Explosion Proof Plastic Blower w/25' ducting & canister
9538-25E	8" AC Explosion Proof Plastic Blower w/25' ducting & canister (220V, 50Hz)
9543	12" AC Plastic Blower
9543-E	12" AC Plastic Blower (220V, 50Hz)
9543-15	12" AC Plastic Blower w/15' ducting & canister
9543-15E	12" AC Plastic Blower w/15' ducting & canister (220V, 50Hz)
9543-25	12" AC Plastic Blower w/25' ducting & canister
9543-25E	12" AC Plastic Blower w/25' ducting & canister (220V, 50Hz)
9546	12" DC Plastic Blower
9546-15	12" DC Plastic Blower w/15' ducting & canister
9546-25	12" DC Plastic Blower w/25' ducting & canister
9548	12" AC Explosion Proof Plastic Blower
9548-E	12" AC Explosion Proof Plastic Blower (220V, 50 Hz)
9548-15	12" AC Explosion Proof Plastic Blower w/15' ducting & canister
9548-15E	12" AC Explosion Proof Plastic Blower w/15' ducting & canister (220V, 50 Hz)
9553	16" AC Plastic Blower
9553-15	16" AC Plastic Blower w/15' ducting & canister
9553-25	16" AC Plastic Blower w/25' ducting & canister

## **SAFETY PRECAUTIONS**

**DO NOT** operate blower until the operator completely comprehends the contents of this manual.

The blower is a specialized type of powered equipment, designed for a specific job function and requires adequate and thorough instruction BEFORE it is operated. Each person must receive adequate professional instruction regarding proper operation. Read and understand this User Manual and the material supplied by the motor manufacturer. Refer to OSHA 2207, for job safety and health rules and regulations (1926 and 1910) covering construction.

**DO NOT** allow minors to operate the blower. Bystanders, children and animals should not be allowed in the area where a blower is in use.

**DO NOT** use an undersized wire size on electrical power cable or extension cords if used. This will adversely limit the starting and load carrying capabilities of the motor. Always use minimum AWG wire sizes for motor branch circuits. Consult the National Electric Code Tables, Article 400, for specific information.

**DO NOT** operate the blower without the inlet and outlet screens properly secured and in place. Replace screens with factory replacements (OEM). The screen grid must comply with current OSHA regulations regarding protective enclosures to prevent personal injury to the operator(s). Ensure the structural integrity of the screens will allow them to serve their protective function. Keep both screens free from obstructions and debris to allow maximum airflow.

**DO NOT** stand directly in front of and/or face the blower outlet. Personal injury may result from debris being thrown from the blower fan at relatively high velocity.

**DO NOT** use electrical transformer in an effort to modify or alter the motor frequency (HZ).

**DO** implement an operational safety program for this blower, to include but not limited to: instructional requirements for operation, applicable OSHA requirements, local laws and regulations, job site safety and blower maintenance. Operators must be fully instructed regarding the specifics of this safety program. (Ref. 29CFR 1926.21 (b) (2)).

**DO** ensure the blower is in its original, factory configuration and has not been modified. Any modifications may result in potentially dangerous configurations that can lead to property damage and/or personal injury. As well as voiding the manufacturer's warranty.

**DO** ensure operator(s) are in adequate physical condition, mental health and not under the influence of any substance (drugs, alcohol, etc.) which might impair vision, dexterity or judgment. If you have any condition that might be aggravated by strenuous work, check with your doctor before operating the blower. Guard against the possibility of back related injuries. Always use proper lifting techniques when moving or carrying blower.

**DO** wear sturdy and snug fitting clothing. Never wear loose fitting clothing or anything that could become caught on controls or moving parts. Wear long pants to protect your legs. To improve your grip and protect your hands, wear heavy duty, non-slip gloves. **DO** wear steel-toed safety boots with non-slip soles. Sneakers or other similar type shoes do not provide adequate protection.

**DO** wear an approved safety hard hat. Noise, generated by the blower, may damage your hearing. Wear sound barriers (ear plugs or ear muffers). Continuous and regular operators should have their hearing checked regularly.

**DO** a visual inspection of the blower and check for damaged, worn, loose and/or broken parts. Ensure all safety devices are operable and information decals are readable. Check to see that the blower and all related accessories are in good mechanical condition before use.

**DO** verify that the blower uses appropriate electrical cord and NEMA plug. Electrically driven blowers (A.C.), are designed to operate ONLY from a grounded 115 volt AC, 60Hz single-phase power source. All electrical wiring installations and connections must comply with all applicable NEC statutes and with all applicable local codes and practices. (*Consult current National Electric Code publications for specific information.*)

**DO** ground the blower motor securely. Ensure the "grounding" wire and/or device is properly grounding the motor. Failure to properly ground the motor may cause an electrical shock and/or electrocution, resulting in personal injury or even death.

**DO** use a ground fault circuit interrupter (GFCI). A GFCI is a safety device that disconnects power from a circuit to a load when a potentially dangerous condition occurs. The GFCI acts like a fast-acting fuse or circuit breaker, sensing small imbalances in the circuit caused by current leakage, and shutting off electricity within 25mS (milliseconds). Use of a portable GFCI gives on-the-job protection from electrical shock hazards caused by ground faults in commercial, industrial and residential applications.

*(For specific information, consult the NEC publications and OSHA publications 210-22D for construction sites and 555-3 for marina's or for use around any area containing water.)*

**DO** know where the controls are, how they operate, and how to stop the blower in an emergency.

**DO** verify the location classification. Certain job site locations may be classified as hazardous because of explosive concentrations of gas, vapor or dust in the atmosphere. The National Electric Code divides these locations into Classes and Groups according to the type of explosive agent. For specific information, consult the **NEC, Section 500**. Use Allegro Explosion-Proof Blowers for operation in an explosive or flammable atmosphere. The use of any other blower not designed for use in a Hazardous Location may result in personal injury or death.

**DO** place the blower on secure footing to prevent it from shifting while in use. Such movement can cause injury to the operator(s) or damage to the blower itself.

**DO** ensure blower is operated in a horizontal position to meet the enclosure definition. The blower is designed for operation in job site areas that are reasonably dry, clean and provide for a continuous, dynamic source of air for cooling the motor. Any questions about operating environments, contact the Allegro Technical Support, before using the blower.

### **WARNINGS AND LIMITATIONS**

Manufacturing tolerances and specific operating parameters will affect the overall flow rate(s) for each particular blower. Actual flow rate will decrease when the total length of the ducting is increased more than 15 feet (7.6m). Actual flow rates may change if blower is used with ducts manufactured and/or supplied by other sources.

#### **CAUTION!**

The final working procedure for any job application involving the use of the blower must be individually determined after careful analysis of all factors and/or conditions present. The nearest OSHA office is a valuable source for applicable information regarding the operation of the blower.

#### **ATTENTION !**

La procédure de travail final pour toute demande d'emploi impliquant l'utilisation de la soufflerie doit être déterminée individuellement après une analyse approfondie de tous les facteurs et / ou des conditions actuelles. Le bureau de l'OSHA est une source précieuse d'information applicables en ce qui concerne le fonctionnement de la soufflerie.

#### **CAUTION!**

Before using the blower, check all applicable federal, state, industry and local regulations regarding the use of flame resistant and/or self-extinguishing duct materials for the intended job applications. It is the responsibility of the owner(s) and/or operator(s) to determine that the duct material in use for the job application meets all applicable fire code and OSHA requirements.

#### **ATTENTION !**

Avant d'utiliser le ventilateur, vérifiez toutes applicables les règlements fédéraux, d'état, de l'industrie et locales concernant l'utilisation de résistant à la flamme et / ou matériaux auto-extinguibles conduits pour les demandes d'emploi prévues. Il est de la responsabilité du propriétaire (s) et / ou de l'exploitant (s) pour déterminer que la matière conduit à l'utilisation de la demande d'emploi se réunit tous les codes d'incendie, les règlements OSHA.

**DANGER!**

Never enter a manhole or confined work area, until it has been determined to be safe for entry and tested with appropriate gas detection equipment and ventilated for a minimum of five (5) minutes with the blower at maximum speed.

**DANGER!**

Ne jamais entrer dans un trou d'homme ou de la zone de travail confinée, jusqu'à ce qu'il ait été jugé sans danger pour l'entrée et testé avec un équipement de détection de gaz approprié et ventilé pour un minimum de cinq (5) minutes avec le ventilateur à la vitesse maximale.

**DANGER!**

Always stop the motor and disconnect the power source to prevent accidental starting and/or the possibility of receiving an electrical shock.

**DANGER!**

Toujours arrêter le moteur et débrancher la source d'alimentation pour éviter un démarrage accidentel et / ou la possibilité de recevoir un choc électrique.

**DANGER!**

Refer to local and federal OSHA Confined Space Laws and Regulations.

**DANGER!**

Reportez-vous aux autorités locales et fédérales OSHA lois et règlements espace confiné.

**WARNING!**

**Explosion-proof blowers MUST BE used with statically conductive ducting.**

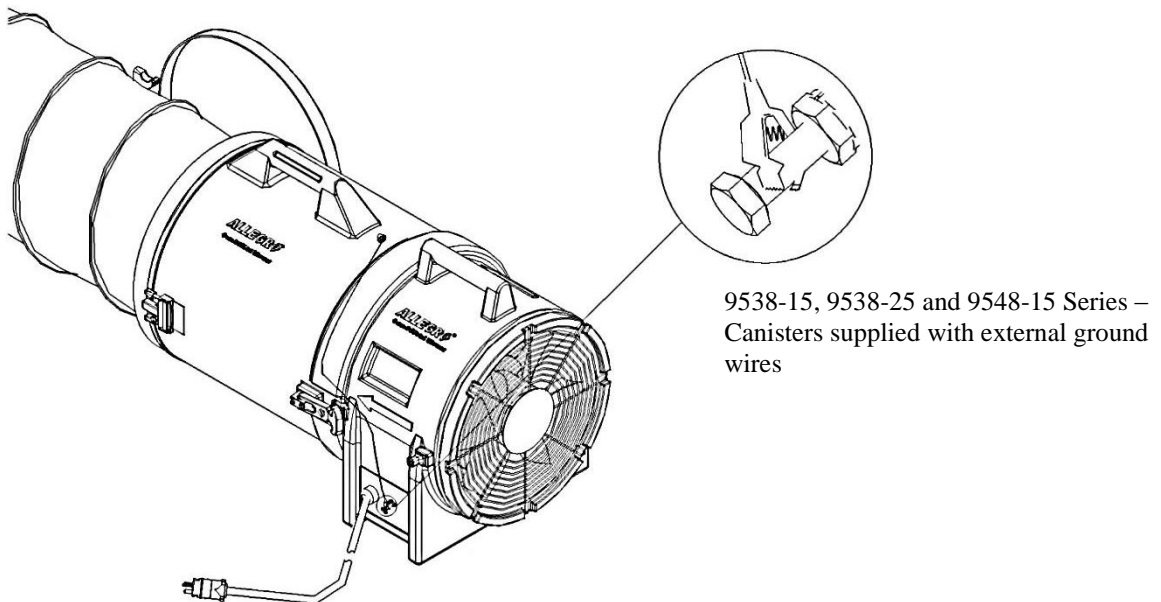
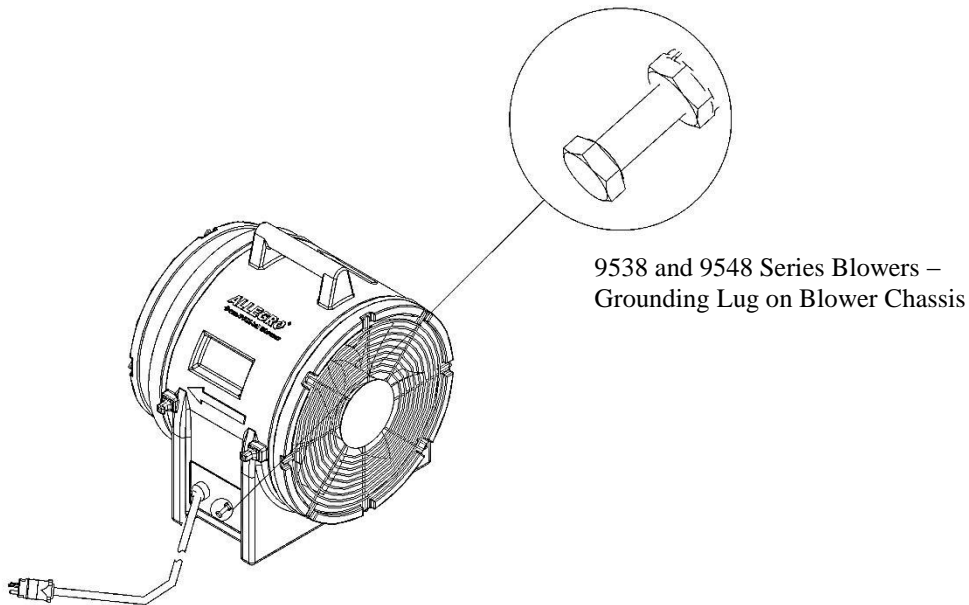
**ATTENTION!**

Ventilateurs antidéflagrants doivent être utilisés avec des conduits statique conducteur.

## OPERATION

### Use of Duct:

- 1) Operate the blower upwind from the work location and with the air inlet facing into the relative wind to maximize air flow.
- 2) The Allegro flexible ducts are for use with Allegro blowers.
  - a) All are of the retractable, non-collapsible design.
  - b) Each duct is supplied with a nylon strap to secure each end to the blower and/or a duct connector. To join two sections of duct, use a duct-to-duct connector (P/N 9500-01 8" & 9550-01 12"). Secure each "grounding wire" by clipping them to each other.
  - c) When using statically conductive ducting, the integrated grounding wire must be properly:
    - i) Grounded to the blower chassis.
    - ii) Linked to any additional grounding wire or duct used.



- 3) If Blower has an attached canister, verify canister and lid are secure before moving or storage. Release ducting lid and extend ducting before operating motor.
- 4) Maximum duct lengths will vary for each blower and environment. Generally, increasing lengths will decrease flow rates.
- 5) When changing canister configuration, detach the rubber clamping straps and release the canister, re-align to opposite side of the blower. To re-attach, pull canister over the outlet port and secure the canister to the blower with both rubber clamping straps.
- 6) For exhaust (air blowing) operations, connect the duct to the blower outlet.
  - a) The duct can be one of two types:
    - i) Retractable, non-reinforced.
    - ii) Retractable, flexible, reinforced.
- 7) For extraction (air evacuation) operations, connect the canister/duct to the blower inlet. Ensure ducting does not collapse during operation. Allegro ducting is reinforced to prevent the vacuum force generated by the blower's suction from collapsing the duct.

**DANGER!**

Before using the blower, check all applicable federal, state, industry and local regulations regarding the use of flame resistant and/or self-extinguishing duct materials for the intended job applications. It is the responsibility of the owner(s) and/or operator(s) to determine that the duct material in use for the job application meets all applicable fire code and OSHA requirements.

**DANGER!**

Avant d'utiliser le ventilateur, vérifiez toutes applicables les règlements fédéraux, d'état, de l'industrie et locales concernant l'utilisation de résistant à la flamme et / ou matériaux auto-extinguibles conduits pour les demandes d'emploi prévues. Il est de la responsabilité du propriétaire (s) et / ou de l'exploitant (s) pour déterminer que la matière conduit à l'utilisation de la demande d'emploi se réunit tous les codes d'incendie, les règlements OSHA.

**Voltage and Power Selection:**

- 1) The voltage, frequency and phase of the power supply must be consistent with the motor nameplate rating.
  - a) The motor will operate satisfactorily on voltages within 10% of the nameplate value or frequency within 5%. The combined variation must not exceed 10%.
- 2) The Allegro AC blowers are designed to operate from a grounded, 115 or 220 VAC single-phase power source.
  - a) It's crucial to the performance of the blower the proper power source is selected.
  - b) Operation from an inadequate power source or use of incorrect electrical plug may result in property damage and/or personal injury.
- 3) Select blowers are supplied with a standard P5-15 plug or a twist-lock NEMA plug (excluding 220V/50Hz blowers).
  - a) Do not change or alter the plug, as this will affect the performance of the blower.
  - b) Operation from an inadequate power source or use of incorrect electrical plug may result in property damage and/or personal injury.

**DC** models require 12 VDC (Attach red lead to the positive terminal and black lead to the negative terminal battery, e.g. car battery).



**WARNING!**

**GENERATOR USAGE**

It is important to use the proper size generator when powering a blower. Using an undersized generator may cause damage to the blower motor. Please refer to the Specifications section for a minimum generator recommendation. Use of a generator at the minimum recommended output with additional devices can cause decreased output or blower stoppage.

**ATTENTION !**

**UTILISATION GÉNÉRATEUR**

Il est important d'utiliser le générateur de taille appropriée lorsque vous allumez un ventilateur. L'utilisation d'un générateur trop petit peut causer des dommages au moteur ventilateur. S'il vous plaît se référer à la section Caractéristiques pour une recommandation générateur minimal. Utilisation d'un générateur à la sortie minimale recommandée avec chapes supplémentaire peut provoquer une production réduite ou une soufflerie à l'arrêt.

- 4) To determine maximum length of extension cord, when used with a blower, refer to the National Electric Code Tables, Article 400.

**CAUTION!**

When choosing an extension cord, ensure the cord is not an undersized wire. As a "Rule of Thumb", the diameter of cable for an extension cord should be larger than the diameter of the cord being plugged into it. Consult the NEC (National Electric Code) Tables for specific cord size information.

**ATTENTION !**

Lorsque vous choisissez une rallonge, vérifiez que le cordon n'est pas un fil trop petit. En tant que «règle du pouce», le diamètre du câble pour un cordon prolongateur doit être plus grand que le diamètre de la corde étant branché. Consultez les NEC (National Electric Code) Tables d'information rallonge de taille spécifique.

**SPECIFICATIONS**

**AC Model**

SIZE	PART No	HP	AMP	VOLTAGE	WEIGHT	CFM Free Air	MINIMUM GENERATOR SUGGESTION
8"	*9533	1/3	4.5	115 VAC, 50 Hz	17 lbs.	831	2 KW **
			4.8	115 VAC, 60 Hz			
			2.2	230 VAC, 50 Hz			
			2.4	230 VAC, 60 Hz			
	*9533-15	1/3	4.5	115 VAC, 50 Hz	33 lbs.	N/A	2 KW **
			4.8	115 VAC, 60 Hz			
			2.2	230 VAC, 50 Hz			
			2.4	230 VAC, 60 Hz			
	*9533-25	1/3	4.5	115 VAC, 50 Hz	38 lbs.	N/A	2 KW **
			4.8	115 VAC, 60 Hz			
			2.2	230 VAC, 50 Hz			
			2.4	230 VAC, 60 Hz			
	*9533-C	1/3	3.6	120 VAC, 60 Hz	15 lbs.	823	2 KW **
	*9533-15C	1/3	3.6	120 VAC, 60 Hz	31 lbs.	N/A	2 KW **
	*9533-25C	1/3	3.6	120 VAC, 60 Hz	33 lbs.	N/A	2 KW **
	9533-E	1/3	2.4	230 VAC, 50 Hz	17 lbs.	N/A	---
	9533-15E	1/3	2.4	230 VAC, 50 Hz	33 lbs.	N/A	---
	9533-25E	1/3	2.4	230 VAC, 50 Hz	35 lbs.	N/A	---
	9533-AU	1/3	2.4	230 VAC, 50 Hz	17 lbs.	N/A	---
	9533-15AU	1/3	2.4	230 VAC, 50 Hz	33 lbs.	N/A	---
9533-25AU	1/3	2.4	230VAC, 50Hz	35 lbs.	N/A	---	
*9538	1/3	2.2	115 VAC, 60 Hz	20 lbs.	900	2 KW **	
9538-E	1/3	1.2	220 VAC, 50Hz	20 lbs.	N/A	2 KW **	
*9538-15	1/3	2.2	115 VAC, 60 Hz	37 lbs	N/A	2 KW **	
9538-15E	1/3	1.2	220 VAC, 50Hz	37 lbs	N/A	2 KW **	
*9538-25	1/3	2.2	115 VAC, 60 Hz	44 lbs	N/A	2 KW **	
9538-25E	1/3	1.2	220 VAC, 50Hz	44 lbs	N/A	2 KW **	

**AC Model (con't)**

SIZE	PART No	HP	AMP	VOLTAGE	WEIGHT	CFM Free Air	MINIMUM GENERATOR SUGGESTION
12"	*9543	1	10	115 V, 50 Hz	28 lbs	1842	2 KW **
			11	115 V, 60 Hz			
			5	230 V, 50 Hz			
			5.5	230 V, 60 Hz			
	9543-E	1	5	230 V, 50 Hz	28 lbs	N/A	2 KW **
	*9543-15	1	10	115 V, 50 Hz	45 lbs	N/A	2 KW **
			11	115 V, 60 Hz			
			5	230 V, 50 Hz			
			5.5	230 V, 60 Hz			
	9543-15E	1	5	230 V, 50 Hz	45 lbs	N/A	2 KW **
	*9543-25	1	10	115 V, 50 Hz	53 lbs	N/A	2 KW **
			11	115 V, 60 Hz			
			5	230 V, 50 Hz			
			5.5	230 V, 60 Hz			
9543-25E	1	5	230 V, 50 Hz	53 lbs	N/A	2 KW **	
9548	1/3	2.2	115 V, 60 Hz	28 lbs	1484	2 KW **	
9548-E	1/3	1.2	220 V, 50 Hz	28 lbs	N/A	2 KW **	
9548-15	1/3	2.2	115 V, 60 Hz	47 lbs	N/A	2 KW **	
9548-15E	1/3	1.2	220 V, 50 Hz	47 lbs	N/A	2 KW **	
16"	9553	1	9	115 V, 60 Hz	40 lbs	3200	2 KW **
	9553-15	1	9	115 V, 60 Hz	65 ¼ lbs.	N/A	2 KW **
	9553-25	1	9	115 V, 60 Hz	72 ½ lbs	N/A	2 KW **

\* Certified to CSA Std. C22.2 No. 113

\*\*This is the minimum tested wattage per each specific motor, by its horsepower. If more than one unit is being powered, the generator output must be increased accordingly.

**DC Model**

SIZE	PART No	HP	AMP	VOLTAGE	WEIGHT	CFM Free Air
8"	9536	1/4	22	12 DC	17 lbs.	816
	9536-15	1/4	22	12 DC	33 lbs	N/A
	9536-25	1/4	22	12 DC	38 lbs	N/A
12"	9546	1/4	22	12 DC	28 lbs	1330
	9546-15	1/4	22	12 DC	43 lbs	N/A
	9546-25	1/4	22	12 DC	49 lbs	N/A

## HAZARDOUS LOCATION REQUIREMENTS

Reference: National Electrical Code (NEC). A hazardous location is an area where the possibility of explosion and fire is created by the presence of flammable gases, vapors, dusts, fibers or flyings.

- All Explosion Proof Blowers must be used with the Hazardous Location Plug and Receptacle.
- Only statically Conductive Ducting may be used with the Explosion Proof Blowers.
- The 9538 Series & the 9548 Series Explosion Proof Blower are designed to be used in the following Hazardous Locations (as indicated on the Motor Specification Label).

BLOWER	9538, 9538-E, 9538-15, 9538-15E, 9538-25, 9538-25E, 9548, 9548-E, 9548-15, & 9548-15E	
CLASS	I	II
DIVISION	1 & 2	1 & 2
GROUP	C & D	F & G

**NOTE: Fibers and flyings are not likely to be suspended in the air, but can collect around machinery or on lighting fixtures; where heat, a spark, or hot metal can ignite them.**

### **WARNING!**

**Explosion-proof blowers MUST BE used with statically conductive ducting.**

### **ATTENTION !**

**Ventilateurs antidéflagrants doivent être utilisés avec des conduits statique conducteur.**

## MAINTENANCE

### Maintenance & Repair:

- Use only genuine Allegro approved, replacement parts for maintenance and repair. Use of parts manufactured by others can result in property damage and/or personal injury.
- Follow the service instructions as outlined in the Maintenance section of this User's Manual.
- Always properly maintain the blower. Frequently check all fasteners and individual parts. Built-in safety features are effective only if they are maintained in good working condition. Keep the blower clean and properly serviced. Heavy accumulations of dust and dirt will result in overheating and premature failure of the blower motor. Clean the motor surfaces and all ventilation openings periodically.
- Do not energize the electric motor with the shaft key exposed on the open shaft. Personal injury can result from being struck by a shaft key thrown from the motor shaft.

## **DANGER!**

**Always** stop the motor and disconnect the power source to prevent the accidental starting and/or the possibility of receiving an electrical shock.

\*Do not attempt any maintenance or repair work not described in this Product Manual.\*

## **DANGER!**

Toujours arrêter le moteur et débrancher la source d'alimentation pour empêcher le démarrage accidentel et / ou la possibilité de recevoir un choc électrique.

\* Ne tentez pas d'entretien ou de réparation non décrits dans ce manuel du produit. \*

### **Electric Motor Maintenance:**

- The electric motor is capable of operating for many years with minimum maintenance.
- Before attempting to service the motor, disconnect the blower from the power supply.
- Clean the motor surfaces and ventilation openings periodically, preferably with a vacuum cleaner. Heavy accumulation of dirt and lint will result in overheating and premature failure of the motor.
- The electric motor is equipped with ball bearings, and under normal service and ambient temperatures, should not require re-lubrication for 9 to 10 years. If you feel that the motor requires re-lubrication, contact the local service representative of the motor manufacturer for specific information

### **STORAGE**

The proper procedure for long-term storage of the blower will protect it against the effects of corrosion and damage. If the blower is not to be operated for a period of 30 days or more, proceed to store as follows:

1. Clean all accumulated dirt and grease from the blower using an appropriate cleaner.
2. Check parts for wear or damage. Make the necessary repairs.
3. Apply a light coat of dry film lubricant to the blower hub and shaft to prevent rust formation.
4. Store the blower indoors. If the blower must be stored outdoors, protect it from the elements with a suitable enclosure or storage.

*For more information and assistance on Allegro Products, check the website @ <http://www.allegrosafety.com>, contact Allegro Technical Service Department at (800) 622-3530, or email [techsvc@allegrosafety.com](mailto:techsvc@allegrosafety.com).*

**ALLEGRO INDUSTRIES  
LIMITED WARRANTY AND WARRANTY SERVICE AND RETURN POLICY**

**Express Warranty**

The warranty obligations of Allegro Industries ("Allegro") are limited to the terms set forth below:

All products, equipment and parts (collectively "Product" or "Products") sold by Allegro, either directly to its customers, or indirectly from its suppliers or distributors to their customers, are warranted, to the original end-user purchaser who/that receives the original, unaltered Product ("Purchaser"), to be free from defects in workmanship and materials under normal use for one (1) year from the date of sale to the Purchaser, when installed properly and used normally and in accordance with written operation instructions, if any ("Limited Warranty") ("Warranty Period"). No other express or implied warranty is given, and no affirmation of Allegro, by words or action, will constitute a warranty.

This Limited Warranty is conditioned upon proper use of the Product by Purchaser and applies only to Products manufactured by or for Allegro that can be identified by the Allegro trademark, trade name or logo affixed to them. This Limited Warranty does not apply to or cover: (a) defects or damage caused by or resulting from external causes including, but not limited to, accident, carrier handling, improper packaging in shipment; abuse, misuse, neglect, unusual physical stress, cosmetic damage, flood, fire, earthquake or other natural disasters; (b) normal wear and tear; (c) any modification of any part of the Product; (d) damage caused by using the Product outside the permitted or intended uses described by Allegro or written instructions; (e) malfunctions resulting from the use of the Product in conjunction with accessories, products or ancillary/peripheral equipment not furnished or approved by Allegro; (f) defects or damage caused by improper testing, operation, maintenance, installation or adjustment; or (g) defects or damage caused by installation and/or service performed by anyone who is not authorized by Allegro.

Each Purchaser agrees and acknowledges that the use, installation and/or operation of the Products shall be at Purchaser's own risk and may result in severe injury, death and/or damage to persons or real and/or personal property.

No Allegro supplier, distributor, officer, agent or employee is authorized to make any modification, extension, change or amendment to this Limited Warranty without the express prior written consent and authorization by the President of Allegro.

Allegro reserves the right to make improvements or changes to its Products at any time, without incurring any obligation to Purchasers, suppliers, distributors or customers who/that previously purchased Products directly or indirectly from Allegro.

EXCEPT AS SET FORTH IN THE EXPRESS WARRANTY CONTAINED HEREIN, PURCHASER TAKES THE PRODUCT "AS IS." THERE ARE NO EXPRESS OR IMPLIED WARRANTIES OR CONDITIONS BEYOND THOSE STATED IN THIS LIMITED WARRANTY STATEMENT. ALLEGRO DISCLAIMS ALL OTHER WARRANTIES AND CONDITIONS, EXPRESS OR IMPLIED, INCLUDING, BUT NOT LIMITED TO, THE WARRANTY OF MERCHANTABILITY OF THE PRODUCTS AND THEIR FITNESS FOR ANY PARTICULAR PURPOSE.

NOTHING CONTAINED IN ANY WRITTEN INSTRUCTIONS OR WRITTEN INSTRUCTION OR OPERATION MANUAL OR CATALOG SHALL BE CONSTRUED TO CREATE A WARRANTY OF ANY KIND WHATSOEVER WITH RESPECT TO THE PRODUCT.

IN ADDITION, TO THE FULLEST EXTENT PERMISSIBLE BY APPLICABLE LAW, ALLEGRO SHALL NOT BE LIABLE FOR ANY INJURY OR DAMAGE TO PERSONS OR PROPERTY OF ANY KIND, OR FROM ANY LOSS OF TIME, INCONVENIENCE, OR LOSS OF USE, INCLUDING ANY CONSEQUENTIAL, INCIDENTAL OR SPECIAL DAMAGES ARISING DIRECTLY OR INDIRECTLY OUT OF OR IN CONNECTION WITH THE USE, INSTALLATION AND/OR PERFORMANCE OF THE PRODUCT OR PRODUCTS, WHETHER SUFFERED BY SUPPLIER, DISTRIBUTOR, CUSTOMER, PURCHASER OR ANY OTHER PARTY, AND REGARDLESS OF THE LEGAL THEORY UPON WHICH THE CLAIM IS BASED, EVEN IF ALLEGRO HAS BEEN ADVISED OF THE POSSIBILITY OF SUCH DAMAGES. WITHOUT OTHERWISE LIMITING THE FOREGOING, IN NO EVENT SHALL RECOVERY OF ANY KIND AGAINST ALLEGRO BE GREATER IN AMOUNT THAN THE PURCHASE PRICE OF THE PRODUCT. THIS WARRANTY GIVES YOU LIMITED SPECIFIC LEGAL RIGHTS.

## Warranty Service and Return Policy during Warranty Period

The following requirements must be followed before returning any Product or Products to Allegro:

1. All Purchasers must obtain a Return Merchandise Authorization Number ("RMA#") before returning any Product to Allegro. Allegro will refuse to accept any Product returned that does not have the RMA# clearly marked on the outside of the package or box. The Purchaser may obtain this RMA# by telephoning Allegro's Customer Service number at (800) 622-3530, or by requesting it in writing by mailing the written request to Allegro Industries, 1360 Shiloh Church Road, Piedmont, SC 29673, or by faxing the written request to Allegro Industries at (800) 362-7231.

2. Upon Allegro's issuance of RMA # to a Purchaser, the Purchaser must decontaminate and clean the Product to remove any hazardous materials which may have settled on the Product during use. Allegro reserves its rights to refuse, and will refuse, to accept any Product suspected of being contaminated and/or containing any dangerous chemical(s) or material(s), and will return that Product or those Products to the Purchaser, freight collect.

3. All Purchasers must return the Product or Products to Allegro freight prepaid, with the RMA# clearly marked on the outside of the box or package. Each Product to be returned should be packaged in its original Product packaging materials or equivalent, and be well padded, to prevent damage when in transit, and should be adequately insured by Purchaser. All Purchasers must bear the risk of loss of the Product during transit from Purchaser to Allegro. Inside the Product's package, please enclose your name, address, and telephone number, a description of the problem and a model and/or serial number for each Product returned.

Upon Allegro's receipt of a returned Product from a Purchaser that meets the above requirements, Allegro will determine in its sole discretion whether the Product is defective. If Allegro determines that the Product is not defective and/or does not meet the terms of this Limited Warranty, Allegro will return the Product to the Purchaser freight collect. If Allegro determines that the Product is defective, Allegro will determine in its sole discretion whether to repair or replace the defective Product covered by this Limited Warranty.

Each Purchaser's sole and exclusive remedy for defects in Products covered by this Limited Warranty is limited to Allegro's correction of the defect by repair or replacement.

4. Authorized returns of saleable merchandise, other than shipments made in error by Allegro, will be subject to a 20% restocking charge.

## Warranty Terms

This Limited Warranty represents the complete and exclusive agreement covering this subject matter between Allegro and Purchaser and supersedes any prior agreements and/or communications regarding the subject matter hereof. The terms of this Limited Warranty shall be governed and construed in accordance with the laws of the State of California, without regard to any conflict of law principle that would result in the laws of any other jurisdiction governing this Limited Warranty. Any action or proceeding arising out of this Limited Warranty shall be litigated in the California Superior Court located in Orange County, California. Each Purchaser purchasing any Product from Allegro, directly or indirectly, shall be deemed to consent and submit to the jurisdiction of the state court located in Orange County, California. If any term or provision contained in this Limited Warranty is determined to be unenforceable in any respect, the enforceability of the term or provision in any other respect and of the remaining terms and provisions of this Limited Warranty shall not be impaired. This Limited Warranty shall not extend to anyone other than the original Purchaser of the Product(s) and shall be Purchaser's exclusive remedy. Each Purchaser acknowledges that this Limited Warranty will always be construed to be limited by its terms to the greatest extent as the law permits.

UM017 Rev. N  
03/07/16  
DCN #D0893