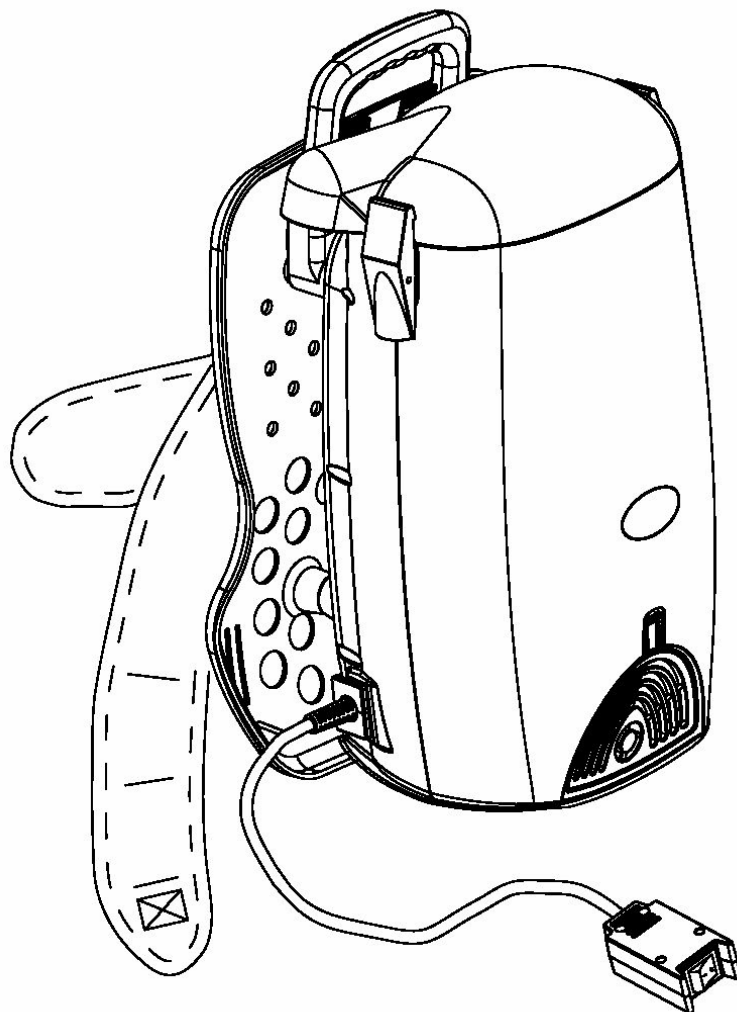


BATTERY POWERED BACKPACK VACUUM

Operation Instructions

Read all instructions before using this appliance



IMPORTANT SAFETY INSTRUCTIONS

Per CFR 49, Lithium Ion batteries are considered “hazardous goods.” As such, they are subject to SPECIAL handling and packaging regulations for ground and air shipping.

Proper shipping procedures compliant with CFR 49 MUST BE FOLLOWED.

When using your Vacuum, basic safety precautions should always be observed, including the following:

Vacuum Safety



Read Owner’s Manual before using this product.
Failure to do so can result in serious injury or death.

1. Use only as described in this manual. Use only the recommended attachments, battery, charger, and replacement parts.
2. **DO NOT** use the vacuum outdoors or on wet surfaces. **DO NOT** expose to rain or water.
3. **DO NOT** use or store vacuum in wet or moist conditions.
4. **DO NOT** try to recover any liquid with this vacuum. This vacuum is for **DRY RECOVERY** only
5. **DO NOT USE A DAMAGED VACUUM.** If the unit is not working as it should, or if it has been damaged, left outdoors, or exposed to water, take it to an **Authorized Repair Center** for inspection and repair.
6. **DO NOT** allow the vacuum to be used as a toy. Pay close attention when using the vacuum near children.
7. **DO NOT** handle the switch or battery pack with wet hands.
8. **DO NOT** put any objects into openings. Do not use with any opening blocked, keep free of dust, lint, hair, and anything that may reduce air flow.
9. Keep hair, loose clothing, fingers, and all parts of body away from openings and moving parts.
10. Use with extra care when cleaning on stairs.
11. **DO NOT** vacuum flammable or combustible materials or anything that is burning or smoking, such as cigarettes, matches, or hot ashes.
12. Sparks inside the motor can ignite flammable vapors, to reduce the risk of fire or explosion, do not use near combustible liquids, gases, or dusts, such as gasoline or

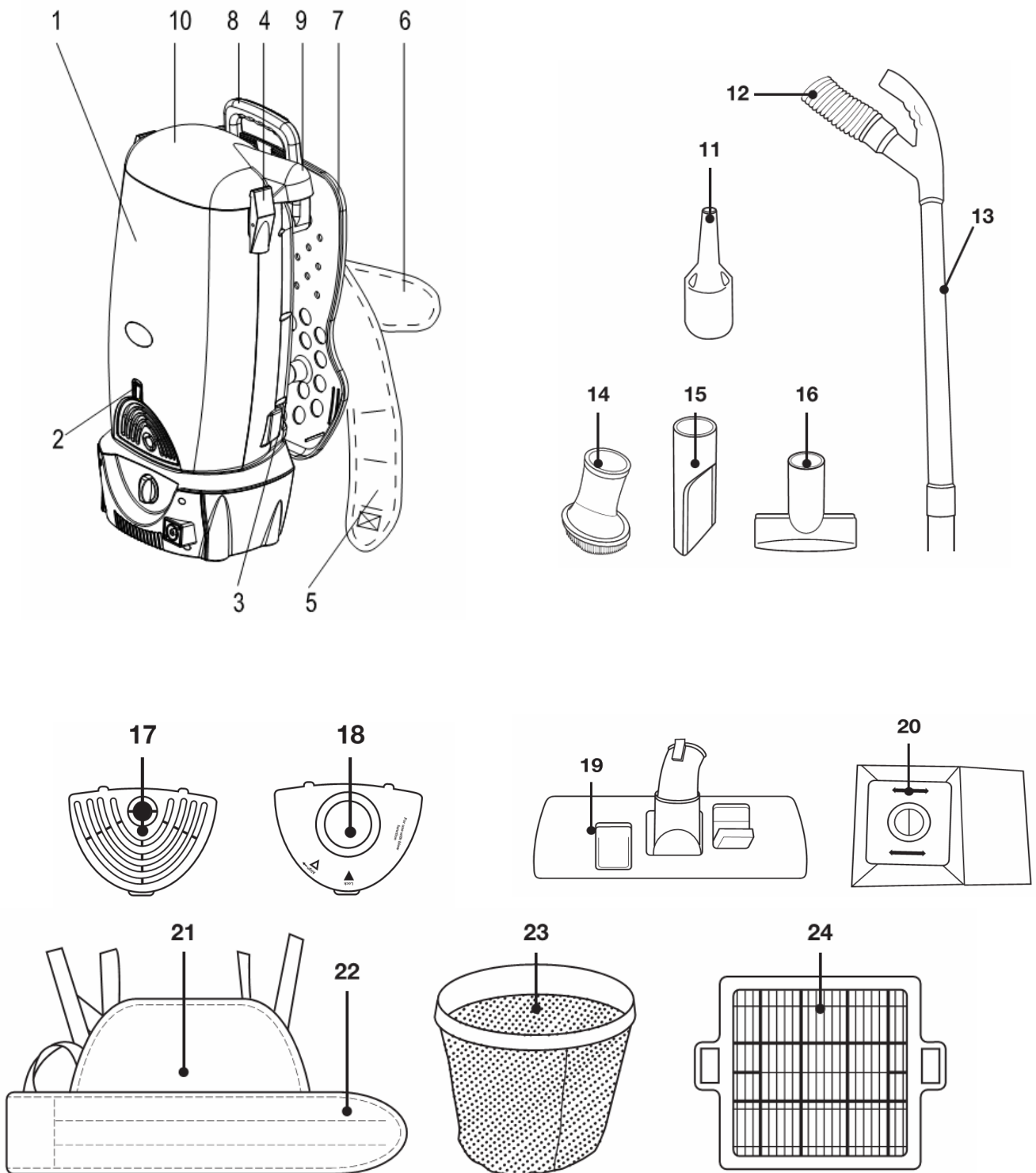
other fuels, lighter fluid, cleaners, oil-based paints, or natural gas.

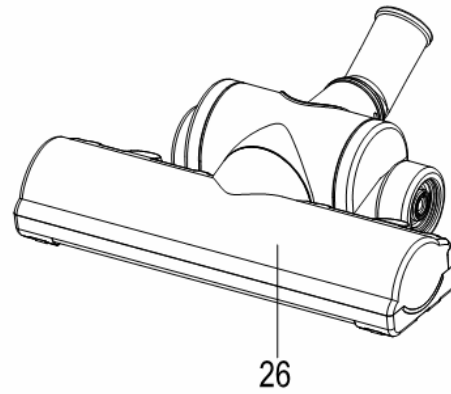
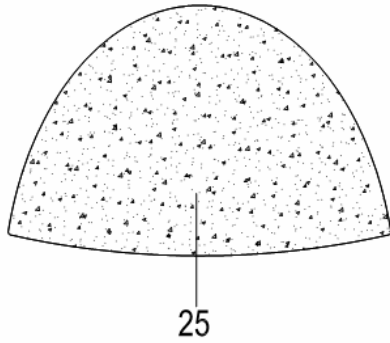
13. To reduce the risk of inhaling toxic vapors or dust, **DO NOT** vacuum or use near toxic or hazardous materials.

14. **DO NOT** use without filter in place.

15. Disconnect battery pack before servicing vacuum.

GETTING TO KNOW YOUR BATTERY POWERED BACK PACK VACUUM





1. Main Unit
2. Exhaust Grill Port
3. On/Off Power Switch
4. Canister Lid Tabs
5. Waist Band
6. Shoulder Straps
7. Back Board Panel
8. Carry Handle
9. Hose Inlet
10. Canister Lid
11. Blower Attachment
12. Flexible Hose
13. Plastic Tube
14. Dusting Brush
15. Crevice Tool
16. Pet Hair Remover
17. Exhaust Grill
18. Blower Port
19. Combination floor tool
20. HEPA Dust bag
21. Waist Band Back Support Panel
22. Waist Band Tool Carrier
23. Cloth Shakeout Bag
24. HEPA Pre-Motor Filter
25. Exhaust Filter
26. Turbo Floor brush

Operating Instructions

Important: Do not use the vacuum without all filters, shake-out bag and with **HEPA** dust bag in place. To replace HEPA filter bag:

1. Turn off power and remove the flexible hose.
2. Open canister lid by lifting canister lid tabs on each side of the unit (Fig.1).
3. Pull the tab on the **HEPA** dust bag holder out slightly and flip upwards (Fig. 2).
4. Holding the **HEPA** dust bag in your hand, slide it firmly between the slots in the bag holder (Fig. 2).
5. The cardboard face of the new bag should rest securely in the dust bag cover guide (Fig. 3).
6. Ensure that the shake-out bag is in place (Fig. 4).
7. Flip the **HEPA** bag holder over, pressing the tab on the bag holder until it clicks.
8. The canister lid can be replaced on the unit with the hose opening on the right or left, as per your preference (Fig. 5).

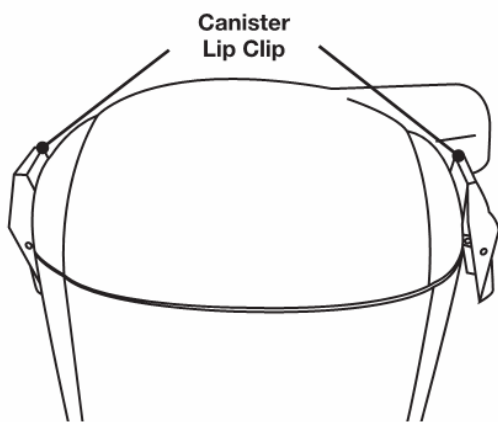


Fig 1

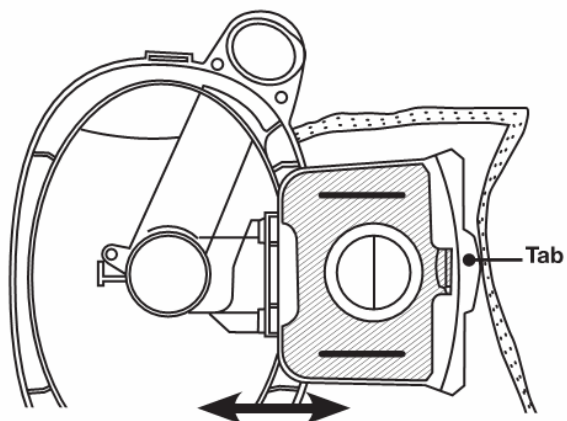


Fig 2

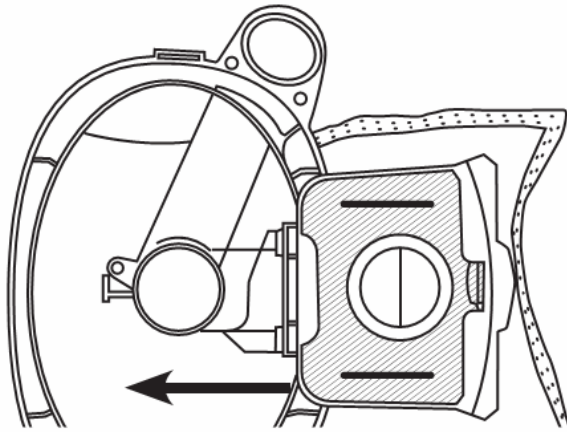


Fig 3

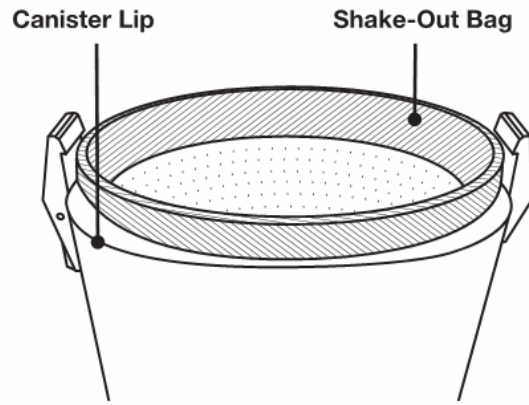


Fig 4

Attaching the Flexible hose to The vacuum

The flexible hose should be connected to the vacuum before strapping the unit on.

1. To connect the flexible hose into the hose inlet, insert the threaded end of the flexible hose into the hose inlet and turn clockwise until it locks into place (Fig. 6).
2. Turn on the switch to operate the vacuum.
3. The hose and telescopic extension wand are press fit, along with all the accessories.
4. Step on the floor to carpet selector to adjust the height of the brushes. There are two different heights- floor or carpet.

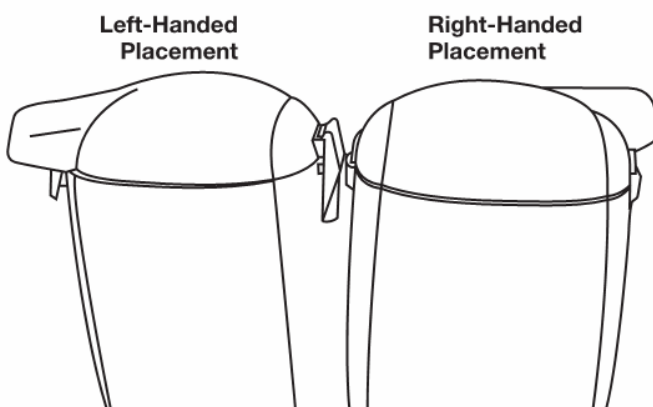


Fig 5

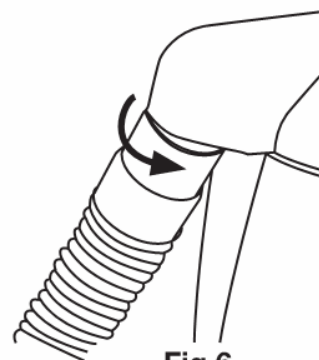


Fig 6

USING THE ATTACHMENTS

● Dusting Brush

The dusting brush is used for furniture (Fig. 9).

● Crevice Tool

Use for radiators, crevices, corners, baseboards and between cushions (Fig. 10).

● Pet Hair Removal Brush

The pet hair removal brush is used on upholstery. The unique surface makes it an excellent tool for removing unwanted pet hair (Fig. 11).

Note: This tool is not a grooming tool and should not be used on animals.

Caution: Do not use Pet Hair Removal Brush on delicate or woven fabrics that may snag. Do not use Pet Hair Removal Brush on wooden floors as this accessory might cause mild scratching.

● Blower Attachments

The blower attachments can be used with the vacuum to pick up very fine dirt particles in tight crevices or spots, or to Inflate inflatable items or air mattresses (Fig. 12).

Manual Suction Control

Your vacuum cleaner includes a manual variable suction control on the flexible hose handle. The suction power can be adjusted by moving the suction regulator to the desired position between open and Closed (Fig. 13).

Air Drive Turbo Brush

The efficiency of your air driven turbo brush depends on the bristle brush rotating at high speed. Strong air suction is needed to accomplish this. In order to ensure that maximum air suction is maintained, please read the following instructions:

1. Change the HEPA dust bag or empty the shake-out bag frequently.
2. Replace the pre-motor and exhaust filters as needed.
3. Ensure that the rotating brush is kept free of hair and string which may accumulate and decrease brush performance.
4. To attach the air driven turbo brush, insert the telescopic tube into the air drive turbo brush.

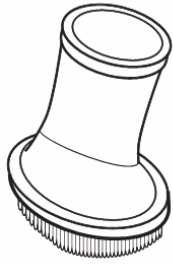


Fig 9



Fig 10

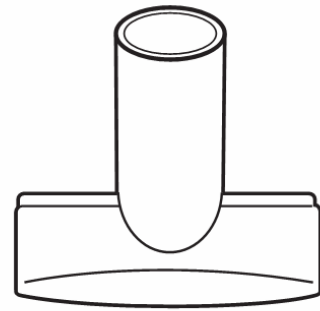


Fig 11



Fig 12

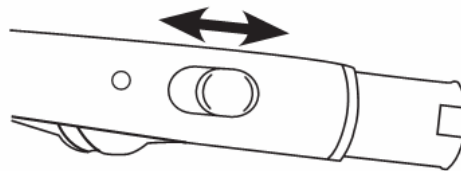


Fig 13

Using the Blower Attachments

The blower attachments are extremely useful for vacuuming in hard to reach crevices and small compartments such as in cars.

Important Note: When blocking the air holes, grasp the blower attachment firmly so that they do not blow off.

Note: Do not use blower function to clear dust off of fragile or delicate objects unless they are secured or held firmly in place as the blower action is quite strong and could cause damage. The blower attachments have air bleed holes. These air bleed holes help relieve some air pressure so that the attachment does not blow off. However should an increase in air pressure be desired simply cover one or more of the air bleed holes.

1. Pull up and hold the exhaust tab and with your free hand pull out the exhaust grill (Fig.13).
2. Remove the exhaust filter.

3. To place the blower port into the exhaust outlet; align the lower tabs on the blower port with the slots on the exhaust. Pull up on the exhaust tab and push the top of the blower port until it snaps into place (Fig.14).
4. To attach the hose to the blower port, align the flexible hose and turn clockwise until it stops. The hose is now securely in place (Fig.15).
5. To blow up inflatable items, select the appropriate size blower attachment that will fit into the air valve (Fig.16).
6. Turn the unit on and hold the blower attachment and air valve while the vacuum exhaust is pumping air into the inflatable.
7. To detach the flexible hose turn counter clockwise and pull out from blower port

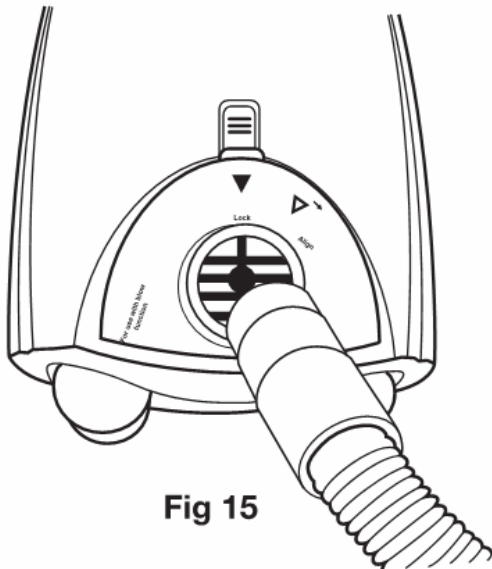


Fig 15

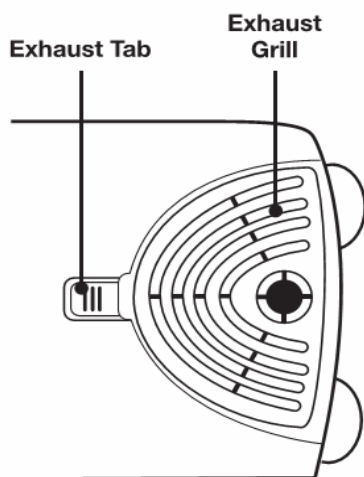


Fig 13

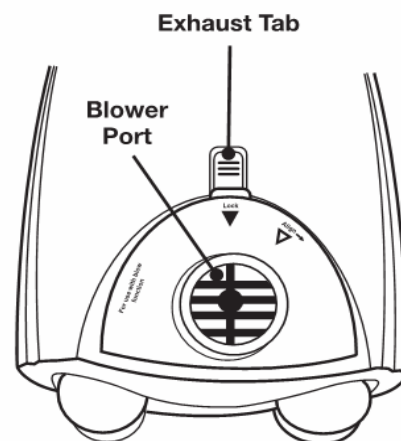


Fig 14

Using Your Vacuum

1. Ensure the battery pack is assembled and locked in the vacuum
2. Connect hose and telescopic tube.
3. Correctly place shoulder straps on each shoulder and secure the waist band with hook and loop strips (Fig.16).

Caution: If the waist band and both shoulder straps are not properly and securely in place the unit could fall off your back causing damage or injury.

4. Turn the unit on by pressing the switch.

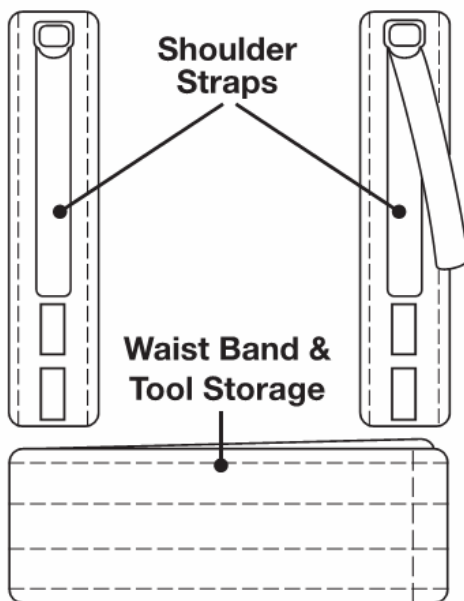


Fig 16

Warning: Never over-fill the HEPA dust bag – replace when bag is full and clean the shake-out bag and filter each time the HEPA dust bag is replaced.

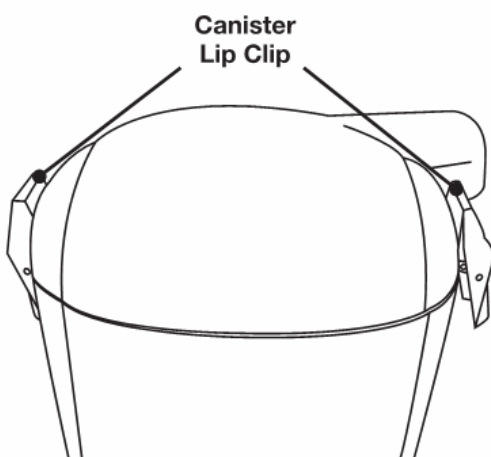


Fig 18

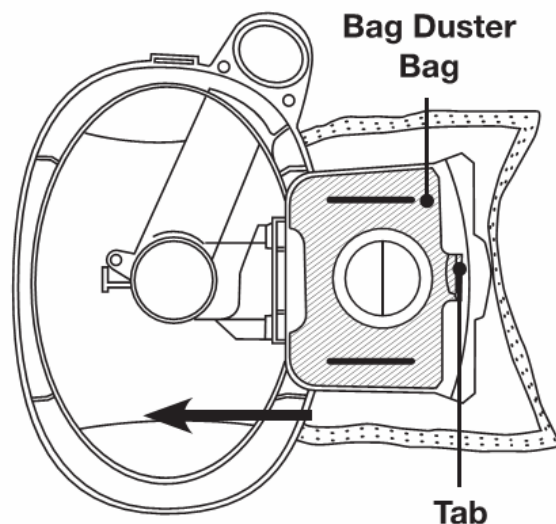


Fig 19

Cleaning & Replacing the Shake-Out Bag

Note: Clean the shake-out bag out-doors when changing the **HEPA** dust bag.

Cleaning the Shake-Out Bag Used with the HEPA Dust Bag:

1. Remove the shake-out bag and hold the handle at the bottom of the bag shaking vigorously over a garbage receptacle and preferably outdoors.
2. Inspect shake-out bag regularly for tears or damage. Replace shake out bag if Damaged or torn.

Cleaning the HEPA Pre-Motor Filter

Important, Please Note: The **HEPA** pre-motor filter will stop most of the tiniest dust particles and airborne allergens from re-entering the air you breathe. In fact it stops 99.97% of all particles as small as 0.3 microns- many times smaller than a human hair! Because of this incredible filtration performance, the **HEPA** pre-motor filter will accumulate many fine dust particles that are difficult to see. Be assured that the **HEPA** pre-motor filter is doing the job. Clean the **HEPA** pre-motor filter after each use as described in this section

1. Remove the shake-out bag from the canister. The **HEPA** pre-motor filter bag is located underneath the shake-out bag. To remove the **HEPA** pre- contents into a motor filter, lift the form the sides of the **HEPA** filter.
2. Vigorously"TapClean" the **HEPA** pre-motor filter on a hard surface to remove any residual dust that might still be on the **HEPA** pre-motor filter.
3. You can wash the **HEPA** pre-motor filter by running it under the tap and allowing the water to run on the dirty side at least once a month or when suction appears to be decreased.

Wash once a year or when suction appears reduced

WARNING

Allow 24 hours for drying before replacing in unit.

HOW TO CHARGE THE BATTERY PACK

When using the charger, basic precautions should always be followed, including the following:

Battery and Charging Safety



To reduce the risk of electric shock, fire, battery explosion, or injury:

1. Basic information and warning for **ATRIX** Battery and Charger are contained below. For detailed usage and warning information, read the HOW TO CHARGE THE BATTERY PACK carefully before using this unit.
2. Use only the **ATRIX** Charger and ATRIX Battery Pack.
3. **DO NOT** expose battery pack to temperatures above 122°F (50°C). Never leave battery packs in automobiles on hot days, where temperatures can be much higher than the outside temperature.
4. **DO NOT** use or store vacuum or batteries in wet or moist conditions, or with flammable or combustible materials.
5. **DO NOT** charge batteries or store batteries for extended periods, 1 month or more, in temperatures above 90°F (32°C) or below 40°F (5°C).
6. When charging, make sure that the charger has at least 6 inches of clearance on all sides. Adequate airflow is required to cool the charger when in use.
7. **DO NOT** use a damaged cord or plug for charging.
8. **DO NOT** pull on charger's cord to unplug. Grasp and pull the plug, not the cord.
9. **DO NOT** handle the charger's cord plug with wet hands when inserting into electrical outlet.
10. Keep sparks and flames away from batteries. Do not smoke near batteries or charger.
11. **DO NOT** charge the unit outdoors.
12. **DO NOT** attempt to repair, service, or modify the battery system or charger. Contact Atrix with any issues.
13. **DO NOT** short-circuit the battery or charger terminals with conductive items such as paper clips. This can deliver high current, resulting in heat and fire.
14. **DO NOT** crush, drop, incinerate or damage the battery pack. **DO NOT** use a battery pack that has been damaged in any way. **DO NOT** incinerate the battery even if it is severely damaged or non-working. The battery can explode in a fire.

SPECIFICATIONS AND PARTS

Charger Specification:

Charger input: 100-240V 50/60Hz AC

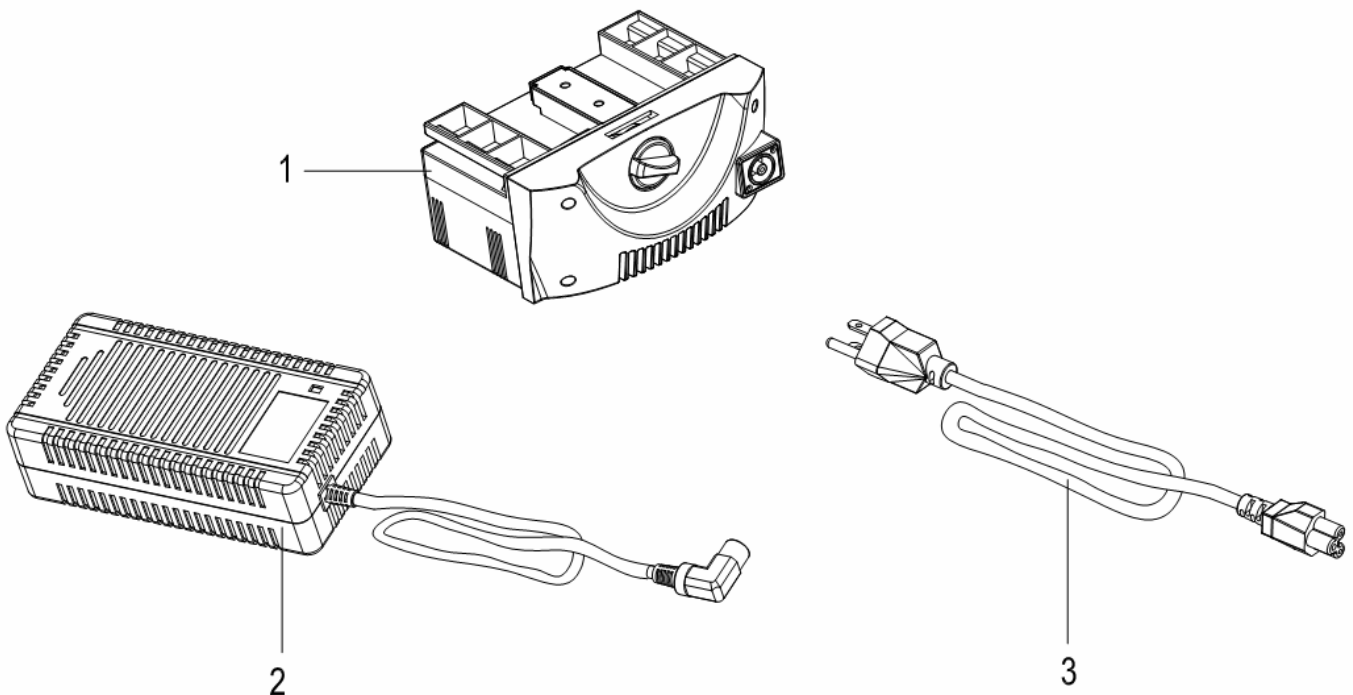
Charger output: 42V 4A

Battery Specification:

Lithium Polymer chemistry 37V

Approximate charge time: 3 hours

Approximate run time: 55 minutes



1. Battery pack BPBAT
2. Charger BPCHG
3. Cord US, EURO, UK

OPERATION



Charge in a well ventilated area. DO NOT block charger vents. Keep them clear to allow proper ventilation.

CHARGING LITHIUM POLYMER BATTERY PACKS

It is not necessary to drain the battery pack completely before recharging.

If the charger's light is not lit at any point during the charging process, remove the battery pack from the charger to avoid damaging the product. DO NOT insert another battery. Contact Atrix with any issues.

BATTERY PROTECTION FEATURE

The 36-volt Lithium Polymer batteries are designed with features that protect the Lithium Polymer cells and maximize battery life. When the battery has reached its minimum voltage level the electronics will shut off the battery. Once the battery shuts off, it must be recharged.

PREPARING BATTERY PACK FOR CHARGING

BATTERY MUST BE REMOVED FROM VACUUM PRIOR TO CHARGING AND DURING CHARGING PROCESS.

1. Turn off the power switch
2. **Unlock the battery pack by turning knob counter clockwise and remove battery pack from the vacuum (Fig. 22)**
3. Plug the charger's power cord into the charger (Fig. 21).
4. Plug the round connector on the charger's cord into the battery pack (Fig. 23).
5. Plug the charger's power cord into wall outlet (Fig. 24).
6. The indicator light will turn red when charging and turn Green when full charged. The Battery pack may require approximately 3 hours to full charge.

Note: Battery pack and charger may get warm while charging.

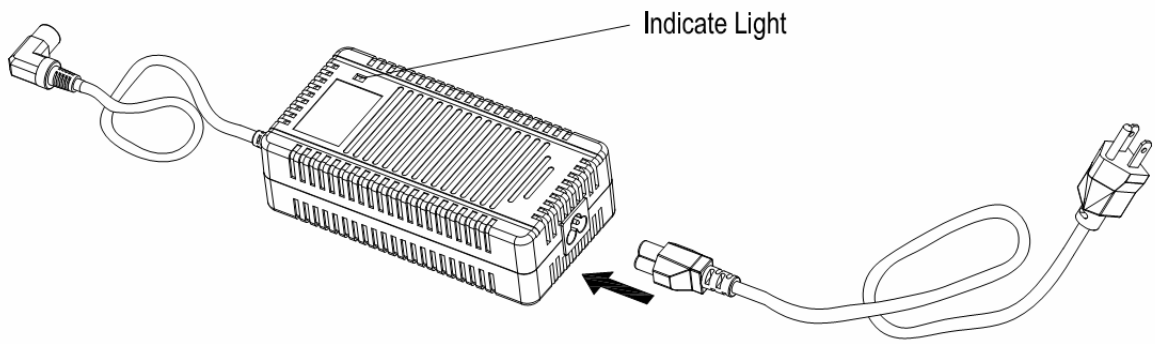


Fig 21

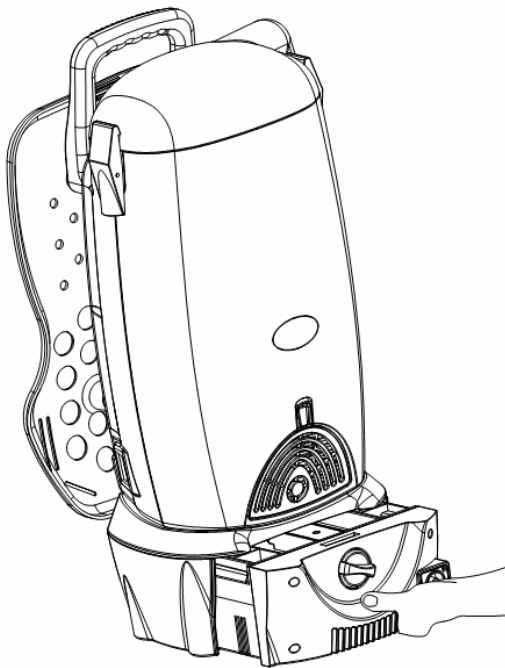


Fig 22

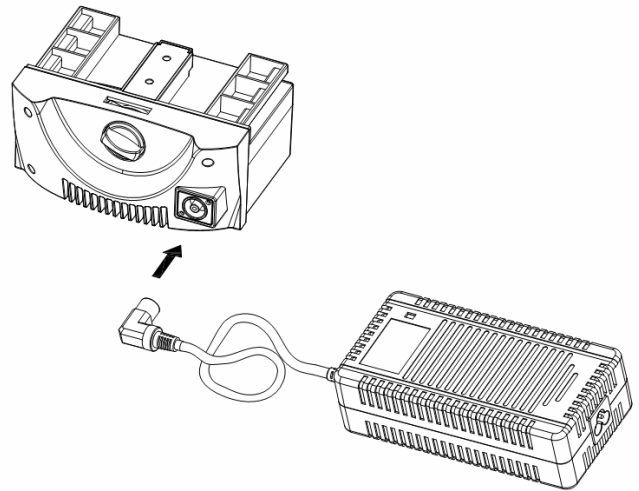


Fig 23

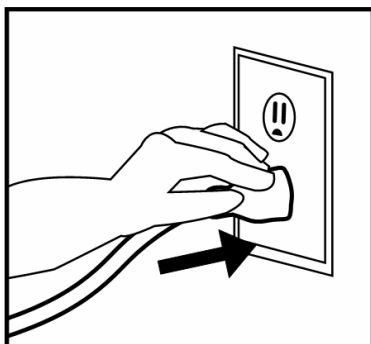


Fig 24

Atrix 36V Backpack Vacuum WARRANTY INFORMATION

Warranty/Service Information, please contact Atrix International, Inc.

Atrix 36V Backpack Vacuum, Part no. VACBP36V Limited Warranty: To the original user purchasing the Atrix 36V Backpack Vacuum, Atrix warrants that the vacuum will be free of defects in material and manufacture for a period of one (1) year from the date of purchase. Should any failure to conform to this warranty appear within this period, contact Atrix.

Per CFR 49, Lithium Ion batteries are considered “hazardous goods.” As such, they are subject to SPECIAL handling and packaging regulations for ground and air shipping.

Proper shipping procedures compliant with CFR 49 MUST BE FOLLOWED.

Exclusions to warranty coverage: The above warranty will not apply to any special configurations or to any units that have been modified, or damaged by negligence, misuse, accident or failure to follow Atrix’s Instruction Manual. Consumable supplies, such as filters, accessories, and motor brushes are not covered by this warranty.

Disclaimer of Warranty: EXCEPT FOR THE IMPLIED WARRANTIES OF TITLE AND AGAINST PATENT INFRINGEMENT, ATRIX MAKES NO OTHER WARRANTIES WITH RESPECT TO THE ATRIX 36V BACKPACK VACUUM CLEANER, EXPRESS OR IMPLIED, INCLUDING BUT NOT LIMITED TO ANY IMPLIED WARRANTY OF MERCHANTABILITY OR FITNESS FOR A PARTICULAR PURPOSE.

Limitation of Liability: ATRIX WILL NOT BE LIABLE UNDER ANY CIRCUMSTANCES FOR ANY COINCIDENTAL, SPECIAL, OR CONSEQUENTIAL DAMAGES OR ECONOMICAL LOSS, BASED UPON BREACH OF WARRANTY, BREACH OF CONTRACT, NEGLIGENCE, STRICT LIABILITY IN TORT OR ANY OTHER LEGAL THEORY, EVEN IF ATRIX HAS BEEN ADVISED OF THE POSSIBILITY OF SUCH DAMAGES INCLUDING, BUT NOT LIMITED TO LOSS OF PROFITS, REVENUE, EQUIPMENT USE, DATA OR INFORMATION OF ANY KIND. THE LIABILITY OF ATRIX SHALL NOT UNDER ANY CIRCUMSTANCE, EXCEPT AS EXPRESSLY PROVIDED HEREIN, EXCEED THE PRICE OF THE ATRIX 36V BACKPACK VACUUM.

To Register your Warranty

Visit: www.atrix.com