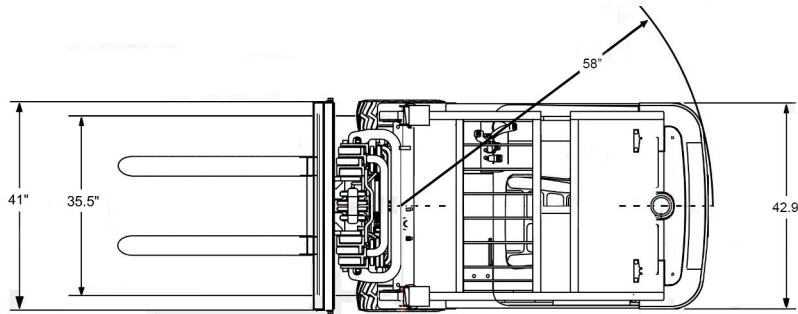


V-15 RATED CAPACITY

2800 lbs. to 118" @ 24" LC
 2000 lbs. to 188" @ 24" LC

Gradeability: Loaded 10.5%
 Unloaded 14.5%



Model #	Mast	Lift Height	Col Height	Free Lift		Extended Height		³ Weight (lbs)
				Without Backrest	With Backrest	Without Backrest	With Backrest	
				C		D		
		A	B					

2800 lbs Capacity @ 24" Load Center

V15-188	TriMast	188	84.5	65.5	44.5	209	230	7,275
---------	---------	-----	------	------	------	-----	-----	-------

³Estimated shipping weight with battery

