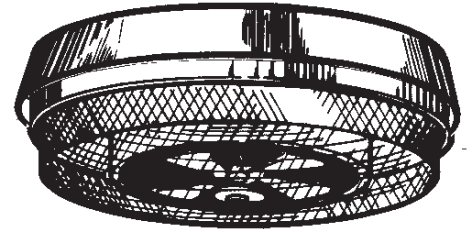


MODEL 157 RADIANT CEILING HEATER



Reliable, comfortable radiant heat in an easy-to-mount, low profile design.

FEATURES

- Low profile
- Aluminum construction
- Expanded aluminum mesh grille
- Industry exclusive enclosed metal-sheathed element for high efficiency and long life
- Built-in fan - disperses heat evenly
- Automatic overheat protection
- Permanently lubricated motor
- Simple, quick surface installation
- Easily mounts to standard ceiling electrical boxes (3½" and 4" round and 4" octagonal)
- Ceiling heaters are intended to provide supplemental heat and not to take the place of a home's main heat source.
- It is recommended that this heater is operated with any Broan control listed below

CONTROLS: (Designed for use with this product)
(purchase separately):

- Model 86W Line-Voltage Thermostat
- Model 61W/61V 15-Minute Timer

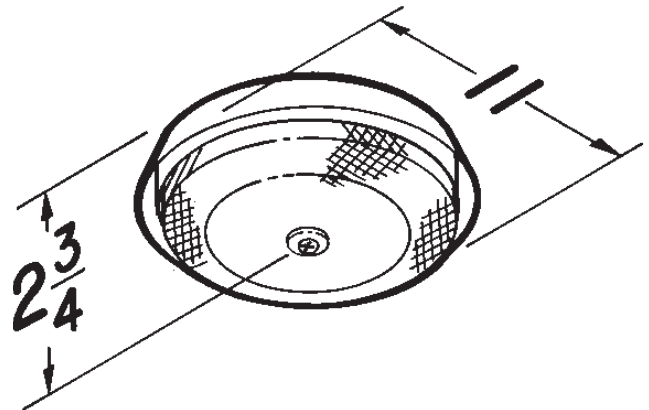
TYPICAL SPECIFICATION

Heater shall be Broan Model 157.

Housing and grille to be aluminum. Unit shall mount to a standard ceiling electrical box and extend no more than 2¾" from ceiling.

Heater to deliver 1250 Watts of radiant heat from an enclosed metal-sheathed element. Heater to have automatic overheat protection. Fan motor to be permanently lubricated.

Heater shall be U.L. Listed.



SPECIFICATIONS

VOLTS	WATTS	AMPS	BTU/HR	COLOR	SHIPPING WEIGHT
120	1250	10.7	4266	Aluminum	3.7 Lbs.



Broan-NuTone LLC Hartford, Wisconsin www.broan.com 800-558-1711

REFERENCE	QTY.	REMARKS	Project
			Location
			Architect
			Engineer
			Contractor
			Submitted by Date