

# COLUMBIA PRODUCTS SANI-LAV<sup>®</sup>

**Operating Manual for Wall Mounted Sinks  
Models 605FL, 605FL-1.0 and 605FL-0.5**



Columbia does not recommend use with harsh chemicals.  
NSF/ANSI Standard 2 - Food Equipment and NSF/ANSI 372 low-lead.

## Parts List

- (1) Wall mount sink
- (1) 8" on center faucet
- (1) Faucet mounting kit
- (1) Wall-mounting bracket
- (2) Support brackets
- (1) Strainer assembly with basket

## Tools Required

- Tape Measure
- Adjustable Wrench
- Drill Motor and Drill Bits
- Pipe Wrench
- Level
- Safety Glasses
- Screw Drivers: 1 Phillips & 1 Standard
- Pencil
- Socket Wrench

## Installation Instructions

### Step 1

1. Establish sink location on the wall.
2. Measure a recommended 41.5" from finished floor and draw a level line which will be the top edge of the wall mounting bracket.
3. Hold the wall mounting bracket against the wall and mark the wall where the holes are. Drill holes and secure bracket to the wall as shown in illustration A. Screws are not provided.

### Step 2

1. Install faucet assembly to the sink.
2. Install strainer assembly at the drain hole.
3. Connect hot and cold water supply (not included) to the faucet.

### Step 3

1. Position the sink onto wall bracket.
2. Mark holes for fastening side mounting brackets as shown in illustration B.
3. Remove sink from the wall bracket.
4. Drill holes in wall for securing sink to wall.
5. Hang sink on the wall bracket and secure to the wall.

### Step 4

1. Connect waste line or drain pipe to the strainer assembly.
2. Connect hot and cold water supply lines to the water source.
3. Remove aerator from the spout and flush water system.
4. Check connections for leaks.
5. Replace aerator onto the spout.

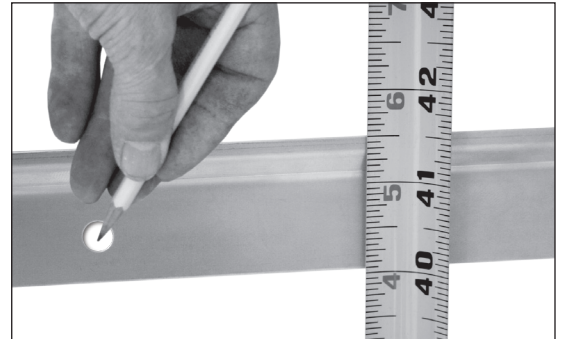


Illustration A

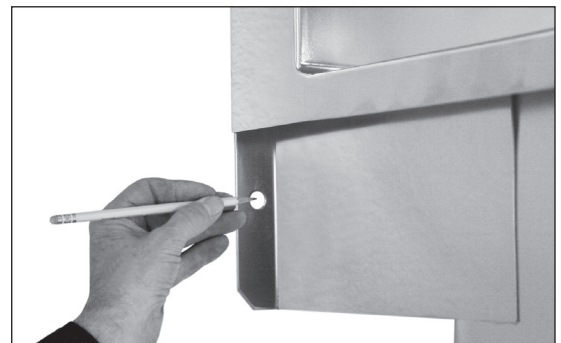
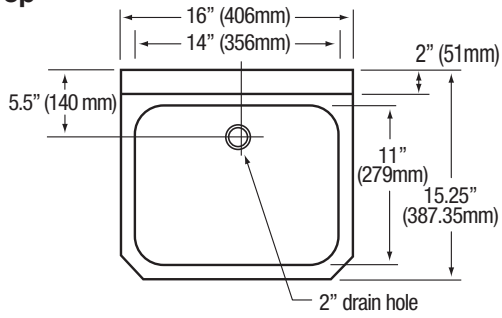
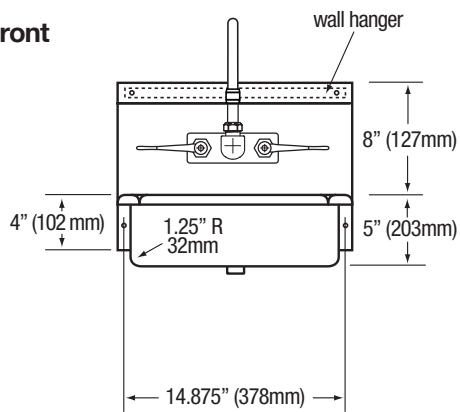


Illustration B

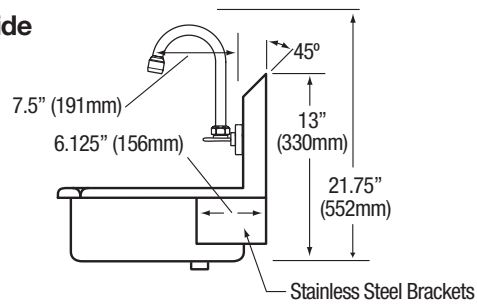
■ Top



■ Front



■ Side



■ Hole Configurations

