

COLUMBIA PRODUCTS

SANI-LAV[®]

Operating Manual for Hands-Free Wall Mounted Sinks
Models 607L, 607L-1.0 and 607L-0.5



Columbia does not recommend use with harsh chemicals.
NSF/ANSI Standard 2 - Food Equipment and NSF/ANSI 372 low-lead.

Parts List

- (1) Wall mount sink
- (1) Single knee pedal valve with 2 nuts
- (1) Swivel gooseneck spout with aerator
- (1) Connecting tube for valve to spout connection
- (2) Fittings, brass, 0.375" male compression and 0.375" male NPT
- (1) Mixing check valve
- (1) Wall-mounting bracket
- (2) Support brackets
- (1) Strainer assembly with basket

Tools Required

- Tape Measure
- Adjustable Wrench
- Drill Motor and Drill Bits
- Pipe Wrench
- Level
- Safety Glasses
- Screw Drivers: 1 Phillips & 1 Standard
- Pencil
- Socket Wrench

Installation Instructions

Step 1

1. Establish sink location on the wall.
2. Determine desired height for the top of the backsplash from finished floor and draw a level line which will be the top edge of the wall mounting bracket.
3. Hold the wall mounting bracket against the wall and mark the wall where the holes are. Drill holes and secure bracket to the wall as shown in illustration A. Screws are not provided.
4. Position the sink onto wall bracket.
5. Mark holes for fastening side mounting brackets as shown in illustration B.
6. Remove sink from the wall bracket.
7. Drill holes in wall for securing sink to wall. Screws are not provided.

Step 2

1. Install strainer assembly at the drain hole.
2. Install spout assembly using mounting nut provided.
3. Attach the elbow fitting to the back of spout.
4. Attach the connecting tube to spout.
5. Secure sink to wall.

Step 3

1. Connect waste line or drain pipe to the strainer assembly.
2. Connect mixing check valve to valve inlet.
3. Mount valve under sink using mounting nuts provided.
4. Attach the elbow fitting to the bottom of the valve.
5. Attach the connecting tube from spout to valve.
6. Connect hot and cold water supply to mixing check valve.

Step 4

1. Remove aerator from the spout and flush water system.
2. Check connections for leaks.
3. Replace aerator onto the spout.

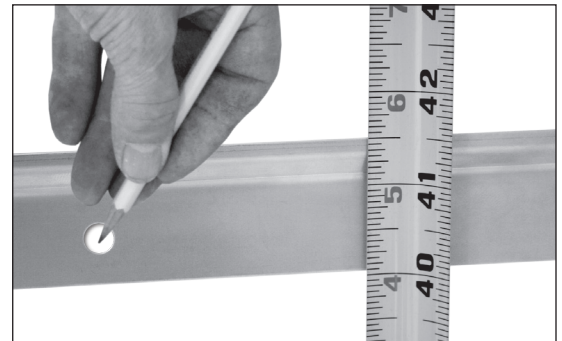


Illustration A

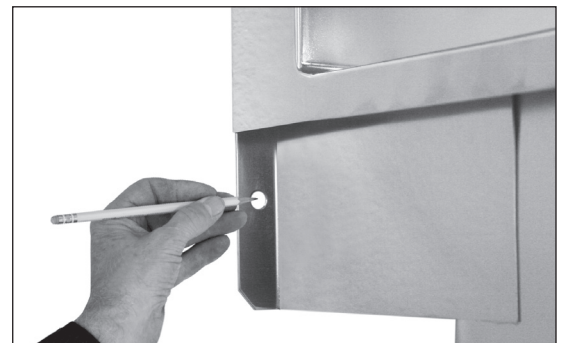


Illustration B

Trouble Shooting Guide

Problem	Possible Cause	To Diagnose	Remedy
Water drips from spout or valve stem assembly.	Flat washer on the stem/plunger is worn.	To determine if the leak source is from the hot or cold side shut cold water source off. See if water still leaks from the spout. If leak continues then repair hot side if not repair cold side	We recommend installing valve repair kit.
Water leaks from the front of the valve.	O-Rings on the plunger are worn out.	Visually determine whether the cold or hot side is leaking.	We recommend replacing threaded insert, plunger assembly & spring. See illustrations below.

Valve Repair Instructions

Note: Valves are designed to be repaired without having to be disconnected from mount or plumbing.

1. Turn off water source. Do not remove valve from sink.
2. Remove pedal assembly using a 15/16" open end wrench or socket wrench. As shown in illustration A.
3. Using a 1" deep socket wrench or closed end wrench remove insert assembly as shown in illustration B.
4. Replace with new repair kit model 1061L as shown on illustration C.
5. Reinstall pedal assembly and turn water source on.

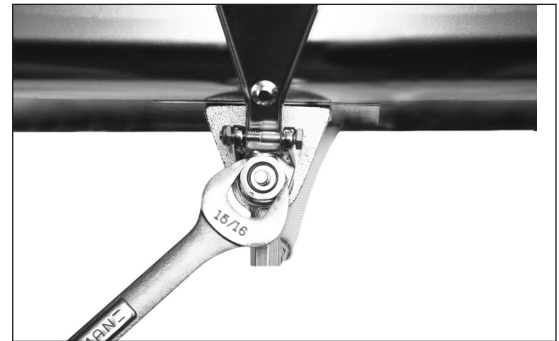


Illustration A

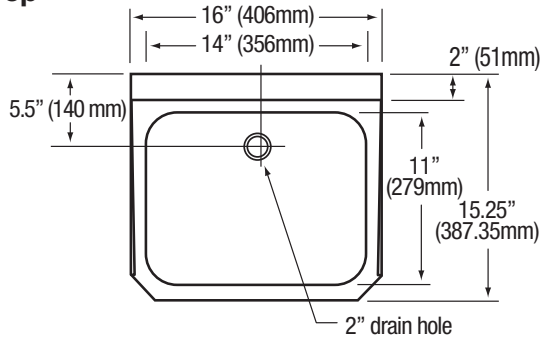


Illustration B

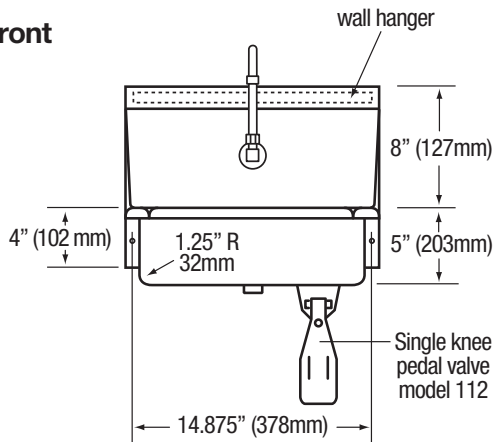


Illustration C

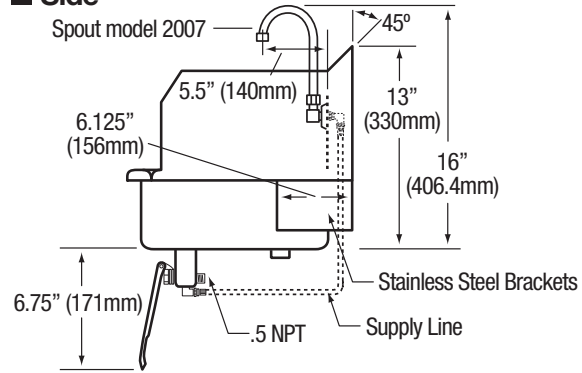
■ **Top**



■ **Front**



■ **Side**



■ **Hole Configurations**

