



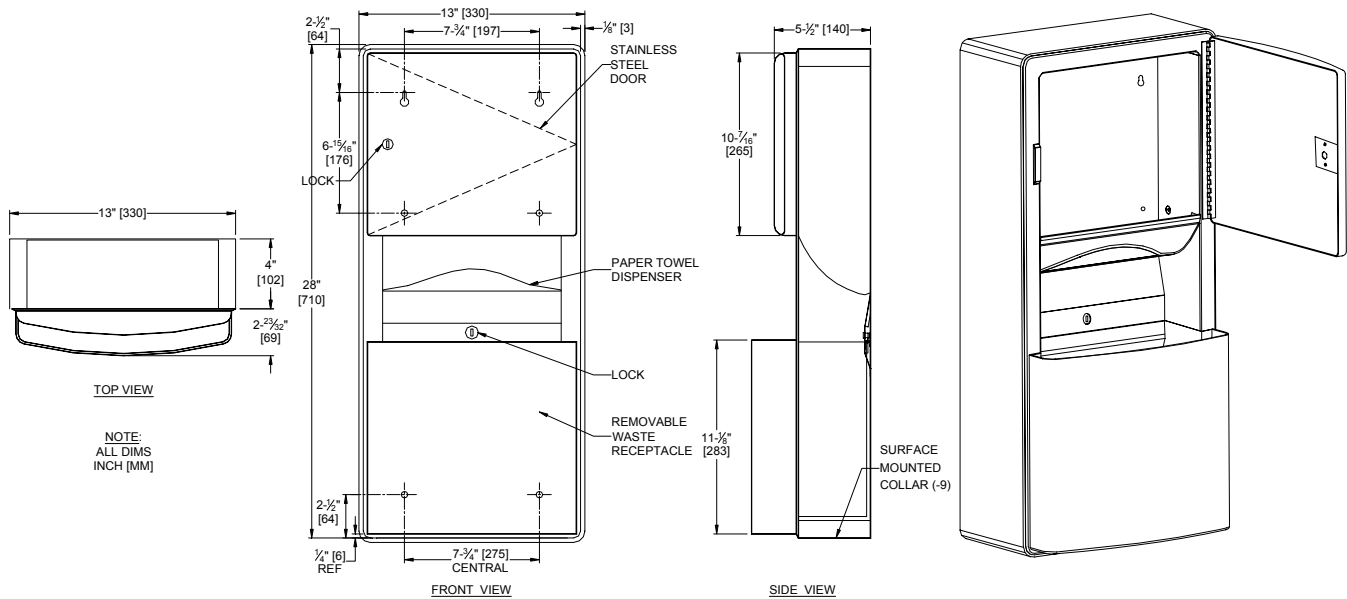
AMERICAN SPECIALTIES, INC.
 441 Saw Mill River Road, NY 10701
 (914) 476.9000 • (914) 476.0688
 www.americanspecialties.com

MODEL №: 204623-9

ISSUED: 09/09

REVISED: 02/10

ROVAL™ SURFACE MOUNTED PAPER TOWEL DISPENSER & WASTE RECEPTACLE



SPECIFICATION

Roval™ Collection Surface Mounted Paper Towel Dispenser and Waste Receptacle unit shall hold and dispense 475 standard multi-fold or 350 standard C-fold paper towels and shall have a waste capacity of 2.96 gallons (11.2 liters). Cabinet full door shall be drawn seamless and shall have bowed front face and gently radiused edges to provide added strength and complimentary appearance for modern washroom aesthetics. Door, towel dispenser, frame, waste receptacle, cabinet and SM collar shall be 22 gauge type 304 stainless steel alloy 18-8. All exposed surfaces shall have a satin finish and shall be protected during shipment with PVC film easily removable after installation. Towel dispensing slot shall have a fully hemmed-in rolled edge for snag-free dispensing and user safety. Dispenser door shall be attached to cabinet at side with a full-length 9/64" diameter (Ø3.5) heavy-duty stainless steel multi-staked piano hinge and shall be held closed with a flush rimless tumbler lock keyed alike to other ASI washroom equipment. Waste receptacle with internal bag-hanger hooks shall have a fully hemmed top edge for safety and a rear handle for service ease and is retained by a tumbler lock keyed alike to other ASI washroom equipment. Face trim shall be 1-1/16" (27) wide formed from one piece with no miters, welding or open seams and have 1/8" (3) radiused return to wall. Structural assembly of body and door components shall be of welded construction. Unit shall be supplied with collar for surface mounting.

Roval™ Collection Surface Mounted Paper Towel Dispenser and Waste Receptacle unit shall be Model № 204623-9 of American Specialties, Inc., 441 Saw Mill River Road, Yonkers, New York 10701-4913

INSTALLATION

Surface mount unit to wall using №10 self-tapping screws (by others) through concealed mounting holes provided. For compliance with ADA Accessibility Guidelines install unit so that towel dispenser slot is 48" (1219) maximum above finished floor (AFF) if clear floor reach access is provided. SM collar is installed on cabinet prior to mounting on wall following procedure described on SM Collar TDS. Install unit for general utility with bottom edge 40" (1016) AFF.

OPERATION

Towels are self-feeding upon user manual demand until supply is depleted. Unit may be reloaded with a partial load in-place and will continue to feed properly. Towels are replenished and waste receptacle is emptied manually on a cycle determined by maintenance needs. Locked door and waste receptacle prevents unauthorized access or removal.