



## EXHAUST FANS

*better AIRFLOW  
by DESIGN™*



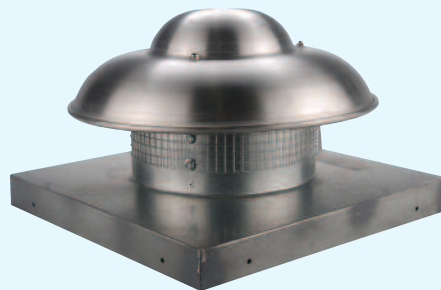
### RMD AXIAL EXHAUST FANS

- Die formed axial fan blades
- Suitable for roof or wall mount
- Spun aluminum low profile design
- Built-in bird screen
- Corrosion resistant construction
- Totally enclosed ball bearing motor
- Sizes range from 10" to 18"
- Direct drive capacities to 2,400 cfm

# RMD AXIAL EXHAUST FANS

## FEATURES & BENEFITS

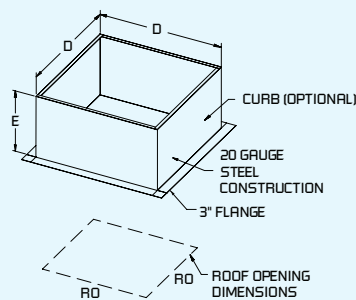
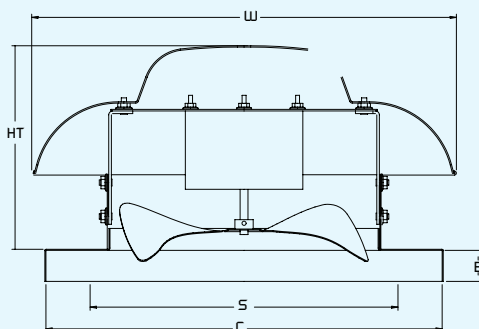
- Suitable for ROOF or WALL mounting
- Axial impellers constructed with die formed blades riveted to a steel hub
- Spun aluminum housing for weather resistant durability
- Wire conduit provides a clear channel for electrical connections
- Bird screen
- Totally enclosed, permanently lubricated, ball bearing motor
- Disconnect switch
- 110 F max. temperature rating
- Available in 115V 1 phase



## ACCESSORIES / OPTIONS

- Gravity damper
- Motorized damper
- Wall mount sleeve
- Roof curb

MODEL	PERFORMANCE										
	RPM	MTR HP	FLA	0" S.P. CFM	0.125" S.P. CFM	0.25" S.P. CFM	0.375" S.P. CFM	0.50" S.P. CFM	0.625" S.P. CFM	0.75" S.P. CFM	0.875" S.P. CFM
RMD-10	1500	1/30	1.1	500	339	267	173	-	-	-	-
RMD-12	1500	1/10	1.2	830	710	620	522	436	357	270	-
RMD-14	1100	1/6	2.2	1160	899	786	646	521	384	236	-
RMD-18	1100	1/3	4.5	2400	2034	1628	1491	1293	1084	881	662



MODEL	DIMENSIONS IN INCHES*							WT (LBS)	DAMPER SQUARE	MANUFACTURE CODE
	HT	W	B	C	D	E	RO			
RMD-10	9.8	18.3	2	19	17.5	12	13	24	12	DDAR10
RMD-12	10.8	20.3	2	19	17.5	12	13	32	12	DDAR12
RMD-14	12.6	27.3	2	21	19.5	12	16	45	15	DDAR14
RMD-18	14.4	33.6	2	26	24.5	12	20	67	19	DDAR18

\*DO NOT USE FOR CONSTRUCTION

CONSULT FACTORY FOR CERTIFIED PRINTS



[www.continentalfan.com](http://www.continentalfan.com)

—better AIRFLOW by DESIGN™

**USA - Continental Fan Manufacturing Inc.**  
 203 Eggert Road, Buffalo, NY 14215  
 T: 716-842-0670 • 800-779-4021 • F: 716-842-0611

**Canada - Continental Fan Canada Inc.**  
 12-205 Matheson Blvd E, Mississauga, ON L4Z 3E3  
 T: 905-890-6192 • 800-779-4021 • F: 905-890-6193

# RMD AXIAL EXHAUST FANS