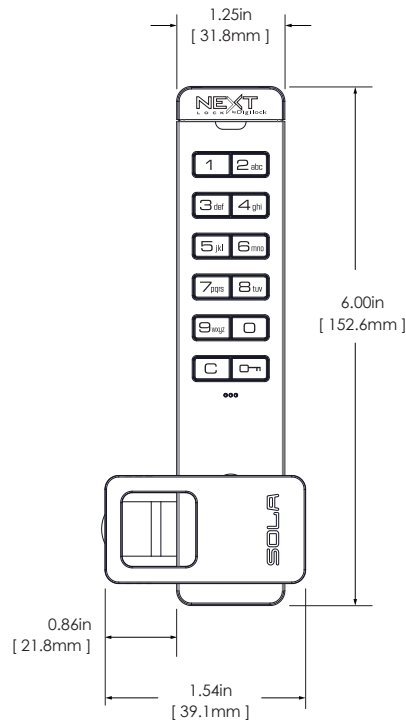


Features

- All metal housing
- Brushed nickel finish
- Moisture resistant
- Keypad operation
- Cam locking
- Accommodates multiple door thickness
- Shared or assigned use functionality
- Surface Mount
- Operates with a 4 digit User Code
- Management access with 5-digit Manager Code
- Program with 6-digit Programming Code
- Tamper guard
- Visual & audible indicators
- Powered by 2 premium AAA batteries
- 3-5 year battery life
- Low battery indicator
- 2 year product warranty



Standard Profile Code Managed Keypad Cam



Vertical Body



Offset or straight cam

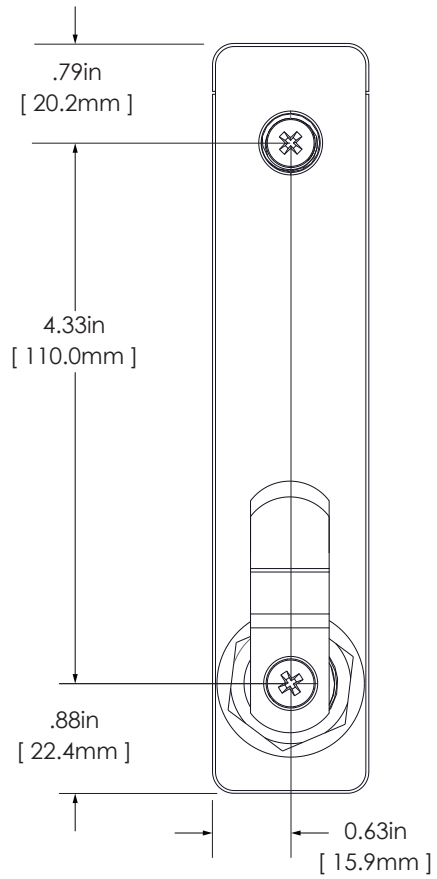
Strike plate

Accessories . Options

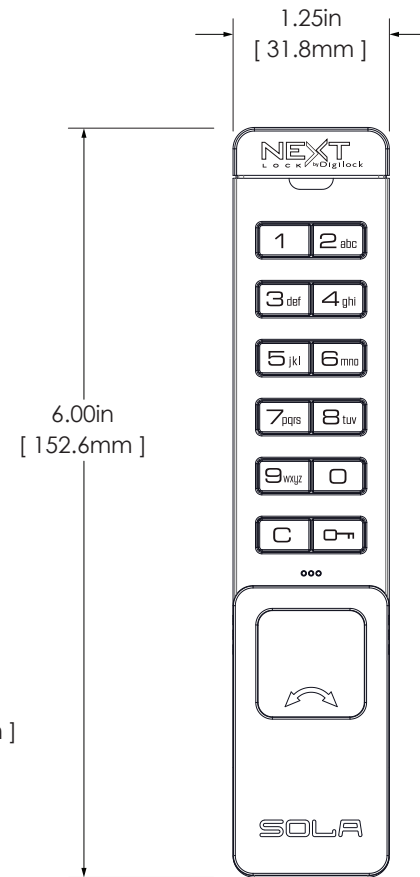
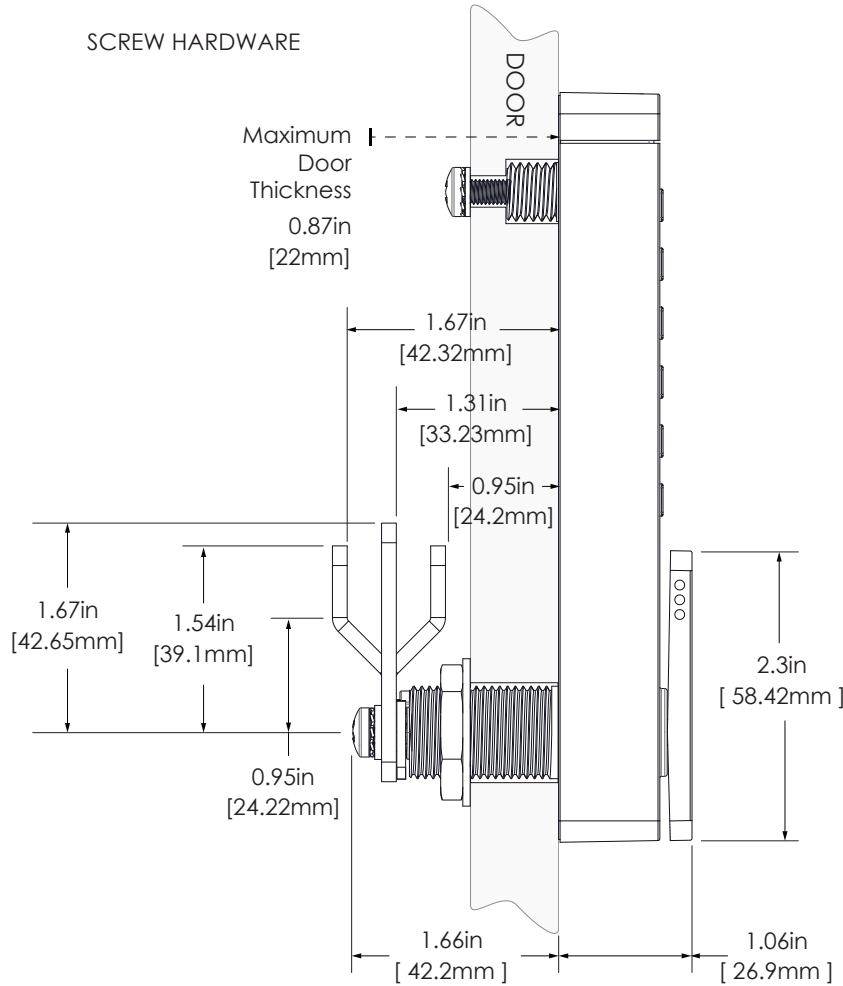
side and front view



NUT HARDWARE



SCREW HARDWARE



rear view