

## **Owner's Manual** **DriTec™ 4000i Desiccant Dehumidifier**

Model F533

DRI-EAZ PRODUCTS, INC.

15180 Josh Wilson Road, Burlington, WA 98233

Phone: 800-932-3030 Fax: 360-757-7950 <http://DriTec.DriEaz.com>

The Dri-Eaz® DriTec 4000i desiccant dehumidifier reduces humidity in enclosed environments by removing water vapor from the air. The 4000i is ideal for water damage restoration, structural drying, construction, and is especially suited for removing moisture from structural materials and contents in cold temperatures or low to medium humidity environments where refrigerant dehumidifiers work less efficiently.

Patents: <http://www.LBpatents.com>

### **READ AND SAVE THESE INSTRUCTIONS**

#### **⚠ WARNING**

Read and understand manual before operating.



**WARNING!** Do not alter or modify your DriTec in any way. Use only replacement parts authorized by Dri-Eaz Products, Inc. Modifications or use of unapproved parts could create a hazard and will void your warranty. Contact your authorized Dri-Eaz distributor for assistance.

**WARNING!** Electric shock hazard, rotating fan hazard, and hot surface hazards.

- Secure each power cord into IEC receptacles before use. Do not operate without cords locked into place.
- Inspect the power cord before use. If cord is damaged, do not use. Always grasp the plug (not the cord) to unplug.
- Insert three-prong plug on power cord into a matching electrically grounded outlet. Do not use adapter. Never cut off third prong. Do not use an extension cord.
- The unit must be operated on two separate 115V/60 Hz circuit protected by a Ground Fault Circuit Interrupter (GFCI) device.
- Keep motor and wiring dry.
- Always unplug unit before cleaning or servicing.

- Do not attempt to repair the unit. For Authorized Service Centers, call Dri-Eaz at 800-932-3030.

#### **BEFORE YOU BEGIN**

##### **Warranty registration**

Visit [warranty.drieaz.com](http://warranty.drieaz.com) to register your purchase. Registration allows us to better assist you with using, maintaining or servicing your equipment and to contact you in case we have important safety information concerning your Dri-Eaz product. If you determine service is required, have your equipment model, serial number and original proof of purchase available and call your distributor for assistance with obtaining a return material authorization (RMA).

#### **GROUNDING INSTRUCTIONS**

This unit's plugs must be inserted into an appropriate outlet that is properly installed and grounded in accordance with all local codes and ordinances.

**WARNING!** Improper connection of the equipment-grounding conductor can result in a risk of electric shock. Check with a qualified electrician or service person if you are in doubt as to whether the outlets are properly grounded. Do not modify the plugs provided with the appliance – if the plugs do not fit the outlets, have proper outlets installed by a qualified electrician.

This equipment is for use on circuits with a nominal rating of no more than 120V.

#### **Handle the unit carefully**

Always operate the unit on a stable, level surface. Do not drop, throw, or place where it could fall. Rough treatment can damage the unit, and may create a hazardous condition or void the warranty.

This unit intended for household and commercial use.

## BEFORE FIRST USE

The unit is shipped with two duct rings and an adaptor kit packed inside the storage compartment. A 3 mm Allen wrench is required for installation of these components.

### Required: Install Reactivation Air Outlet duct ring

Install the Reactivation Duct Ring, 20 ft. of 6 in. ducting using duct clamp provided and duct to the outdoors. See Fig. B.

### Optional: Install Air Inlet duct ring

The Air Inlet Duct Ring may be installed using the four screws provided. See Fig. B.

### Optional: Install Process Air Outlet offset screws

The Process Air Outlet Adaptor Kit may be installed using the offset screws provided. See Fig. B.

## CONTROLS AND OPERATING INSTRUCTIONS

### Positioning the Dehumidifier

For best results, operate your dehumidifier in an enclosed area. Close all doors and windows that open to the outside to maximize water removal efficiency. Place your dehumidifier away from any obstructions that could block airflow into and out of the unit. Duct reactivation outlet outdoors through window adapter or dryer vent.

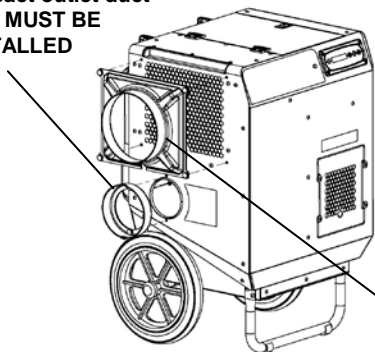
### Plug in electrical cords

**NOTICE:** The power cords of the DriTec must be plugged into separate GFCI-protected 120V outlets rated for at least 15A. Always plug the cords firmly into the sockets in the top compartment first.

### Fig. B: Initial Setup

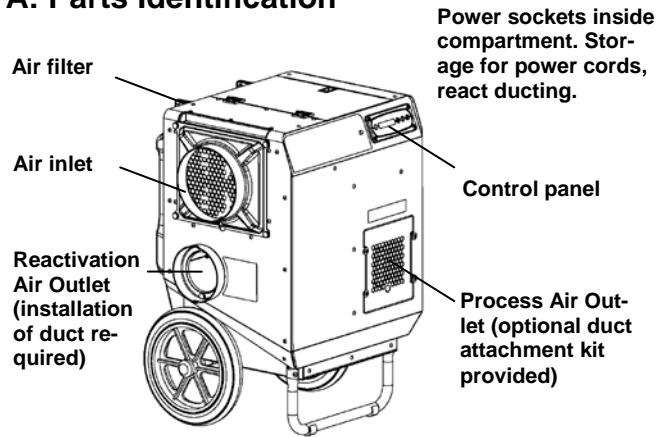
1. Install Reactivation Out Duct Ring (required)
2. Install Air in Duct Ring (optional)

1. React outlet duct ring. **MUST BE INSTALLED**



2. Process air in duct (optional)

### A: Parts Identification



**NOTICE:** Connect to two separate 15A circuits ONLY. A bright green light indicates correct connections. No light will show when using only one cord or if both power cords are plugged into the same power circuit.

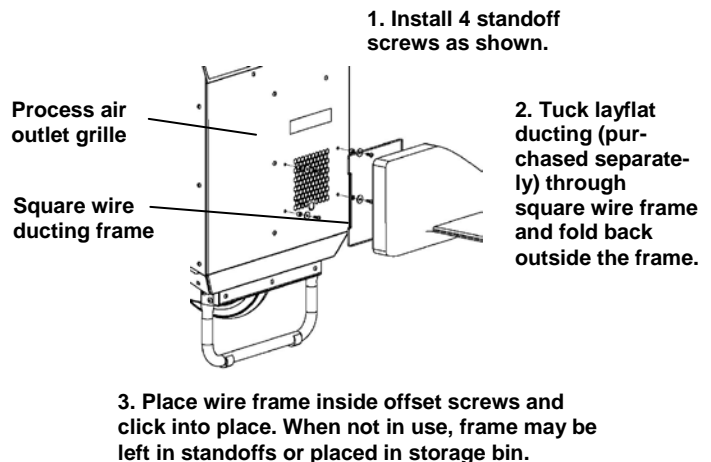
### Startup display and normal display modes

When unit is first plugged in to AC power, the control panel display will briefly cycle through a series of readouts. This is part of the unit's self-diagnosis procedure and no user intervention is required.

### Ducting Setup

**NOTICE!** For indoor use only. Do not expose the unit to rain or snow. If electrical components become wet, allow the unit to dry thoroughly before operating.

### 3. Install Process Air Outlet Duct (optional)



### Reactivation Outlet Ducting

The reactivation air should always be ducted to the outside.

**NOTICE: Temperatures inside React Out ducting can reach 150°F (66°C). Use only appropriately rated ducting.**

### Process Outlet Ducting

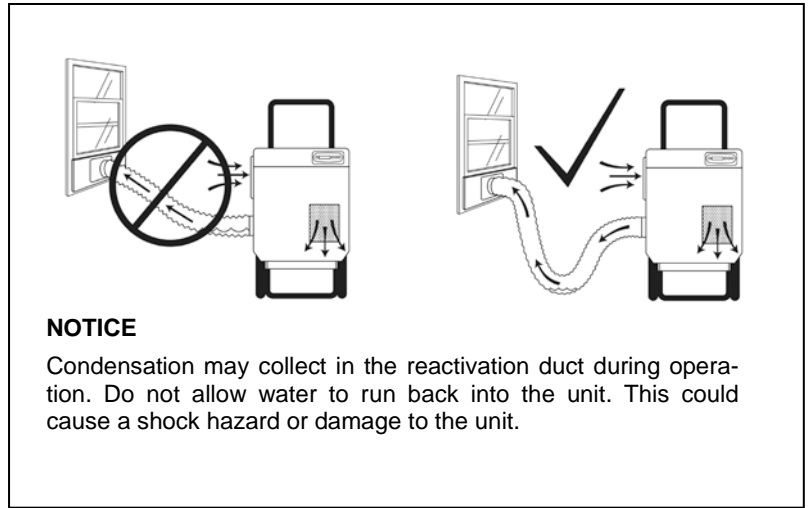
The process out air may be ducted where more focused drying is required. Use with layflat ducting only.

### Maximum Ducting Length

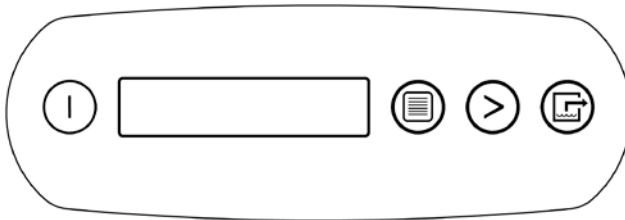
To ensure maximum performance, do not exceed these ducting lengths:

Reactivation air	20 ft.   6 m
Process air	10 ft.   3 m
Inlet air	30 ft.   9.1 m

For more ducting options, see Fig. C.



## CONTROL PANEL



Press the ON/OFF to turn the unit on.



**ON/OFF**

When the machine is turned on, the display normally reads PLEASE WAIT WARMING UP. Once the unit completes the warm-up procedure, the display shows UNIT ON XXX HRS and cycles between INLET XXX°F and INLET XX%.



**DISPLAY MENU**

Cycles through the display of additional dehumidifier conditions and User Settings. To return to the main menu, press the ON/OFF key once.



**MENU SELECTION / UP KEY**

Change system settings. The MENU SELECTION key acts as the “UP” key for cycling through the setpoints.



**WATER REMOVAL**

Press and release to show a calculated amount of water removal in pints/day. The unit will display WATER REMOVAL XXX PINTS/24H after 5 minutes of run time. The display will automatically return to the “Unit On” display after a few seconds.

## USER SETTINGS

Only menu items followed by a greater-than symbol (>) may be adjusted. If no keys are selected for 5 minutes the display will return to normal display mode. Items without the symbol (>) are for information only and cannot be changed or reset.

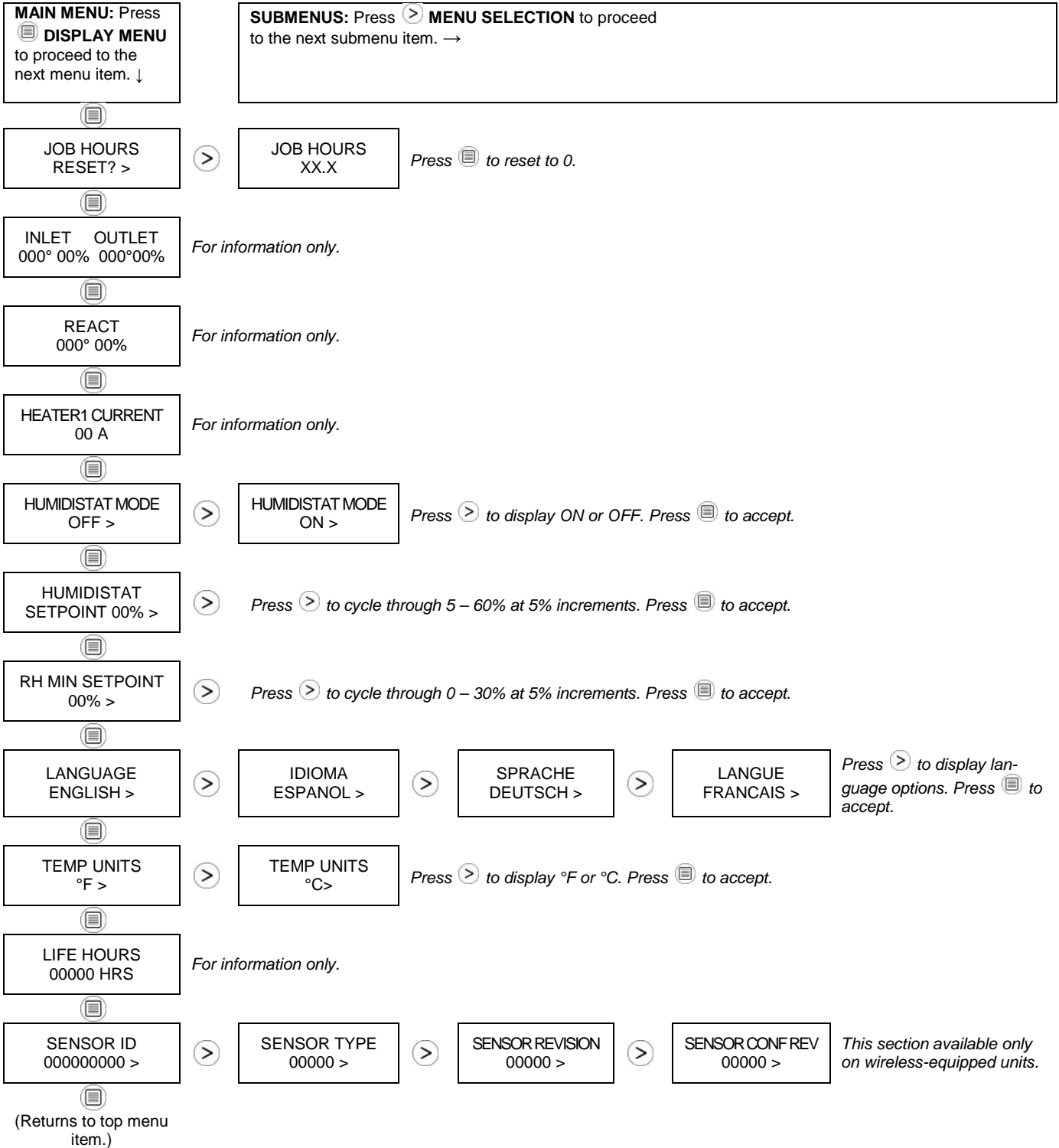


Fig. C: Ducting Options

# DriTec™ 4000i Ducting Options

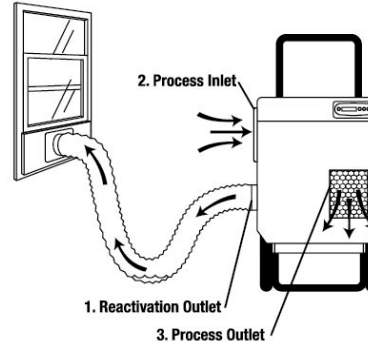
## A. Basic Setup

Always duct the Reactivation Outlet, preferably to an outdoor location.

**Tips:**

- Reactivation ducting must ALWAYS be attached to reactivation outlet. Ducting should be no longer than 20 ft. (6 m).
- Set out the ducting with as few bends as possible.
- Slope the ducting downward away from the machine.

*Note: Water may accumulate inside the reactivation ducting. When moving the ducting, take care when not to spill water inside the machine or onto the floor.*



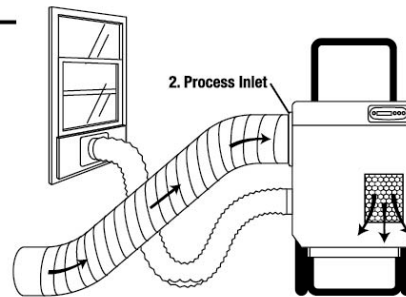
## B. Advanced Options

### 1. Duct inlet (2) to boost performance

Directing colder and/or drier air into the air inlet can improve desiccant performance.

**Tips:**

- Do not duct in process air from a refrigerant dehumidifier as it could reduce the efficiency of the desiccant.

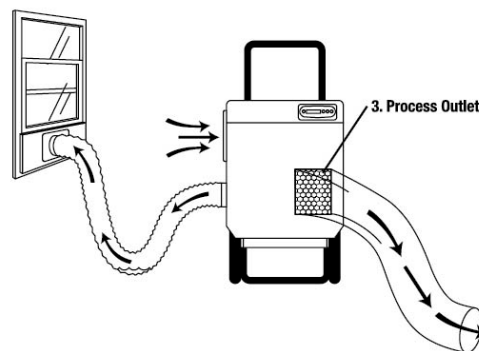


### 2. Duct process outlet (3) for distributed drying

Duct the process air outlet into hard-to-reach areas and/or to keep the unit close to a suitable outlet for reactivation air.

**Tips:**

- Use layflat ducting to direct the process air into affected areas.
- For broader distribution of process air, make 4–6 in. cuts at intervals along the layflat ducting and tie off the end.

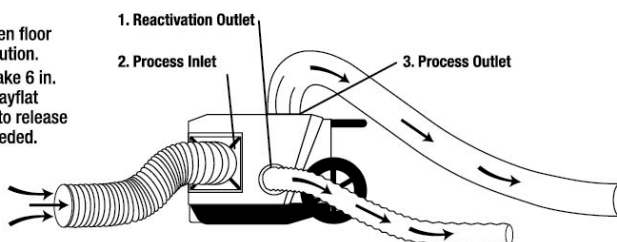


### 3. Use in crawlspace/low clearance areas

Operate the unit on its back in low ceiling/clearance areas. Duct the reactivation outlet (1) outdoors. If desired, the air inlet (2) and process air outlet (3) may be ducted as described in B1 and B2 above.

**Tips:**

- Duct the process air between floor joists for convenient distribution.
- For broader distribution, make 6 in. cuts at intervals along the layflat ducting and tie off the end to release the warm, dry air where needed.



## TRANSPORTATION AND STORAGE

**NOTICE:** Handle the unit carefully. Rough treatment can damage this equipment and may create a hazardous condition or void warranty.

- Do not expose the control panel to moisture, snow or rain.
- Store and transport securely to avoid any damaging impact to internal parts.
- Secure during transport to prevent sliding and possible injury to vehicle occupants.

## MAINTENANCE

**WARNING! ELECTRIC SHOCK HAZARD. Unplug unit before cleaning or servicing.**

**WARNING: Risk of dust and contaminants exposure. Use of respirator mask and gloves is recommended. If unit has been exposed to potentially dangerous contaminants, clean thoroughly and disinfect before reuse.**

### As Needed (Exterior items)

**Air Filter.** Inspect and vacuum as necessary. **Replace the HAF filter whenever it has been vacuumed clean and reused three times.** See “About 3M High Air Filters” for more information.

**To maintain appearance,** wipe interior and exterior surfaces with a damp cloth.

Inspect reactivation air outlet ducting for cracks, splits or breaks. Replace as needed with suitable heat-resistant ducting.

### As Needed (Interior items) See Fig. D.

**NOTICE:** Electric shock hazard. Unplug unit before removing side panels.

**NOTICE:** The unit is fitted with sensitive electronic sensors. Protect the sensors and their lead wires from damage and do not expose them to water or cleaning solution.

The following tools and supplies are needed to complete the maintenance procedures described in this manual:

- 3 mm Allen wrench and/or bit and cordless drill
- Clean cloths
- Vacuum cleaner with soft brush tool and/or a high pressure air nozzle
- Phillips screwdriver

**Remove side panel.** Remove the screws from the react out / air inlet panel. **IMPORTANT: The inlet temp/RH sensor cable is attached to the interior of the panel and must be detached before setting the panel aside.** To remove the cable, first unclip the plug and then slide the cable down and out of the cable tie. Once the cable is free of the panel, set the panel aside.

### Inspect and clean blower

Check that the impeller rotates freely. Vacuum or wipe clean all surfaces.

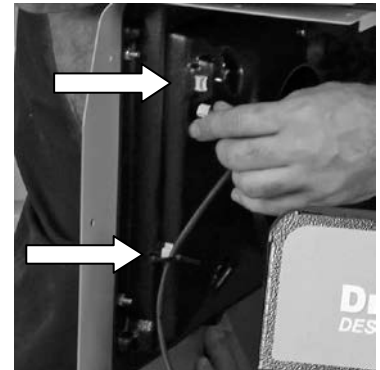
### Inspect and clean desiccant rotor

Ensure that rotor is clear of dust and debris. Vacuum or use pressurized air to remove dust from rotor.

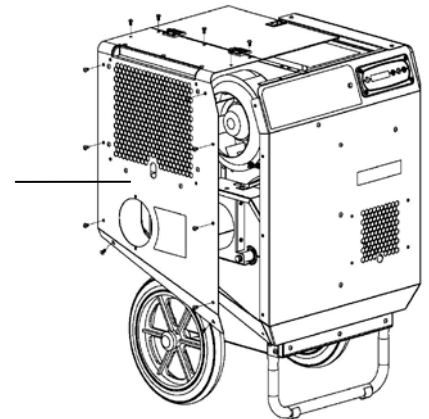
**Fig. D: Interior views**

**IMPORTANT! Temp/RH Sensor cable is attached to inside of panel! Unclip and slide out of cable tie before setting panel aside.**

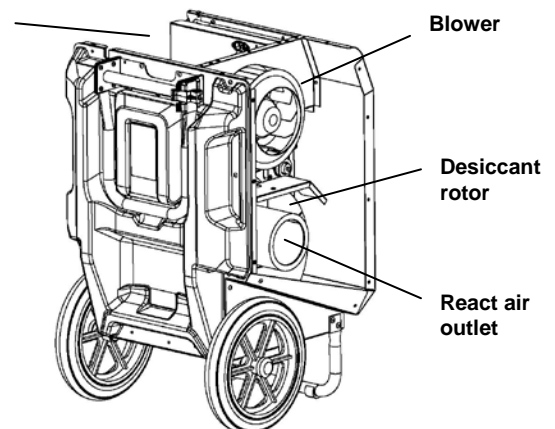
**Detach sensor cable before setting side panel aside. Be sure to reinstall cable when replacing panel.**



**React out/air in panel. Remove this panel only for routine interior inspection and cleaning.**



**Storage compartment. Power cord sockets located inside.**



**Inspect rotor belt.** Check for proper tension. Belt should deflect no more than ¼ in. (0.6 cm) under moderate finger pressure ~2lbs. of force. If belt deflects excessively or if it has cracks or excessive wear, contact your local distributor for instructions.

**Vacuum interior** to remove dust and debris. Wipe interior surfaces with clean, dry cloth. Do not apply water or cleaning solutions of any kind. Take care not to damage electronic sensors and wires.

**Reattach side panel.** Reattach sensor cable inside panel. Thread the cable up through the zip tie and then plug in the cable. Now install screws, finger tight only, starting at the top and working down. Once all screws are properly started, then use a hand tool to tighten the screws snugly. Do not overtighten. Do not use a power tool to tighten screws.

## SYSTEM MESSAGES

If the control system detects an error, it will produce an error (“ER”) message. If this occurs, first unplug the unit and then plug it back in. This will usually reset the electronics, and the unit will begin operating normally. If the error message reappears, refer to the explanations and solutions shown below. If these solutions do not fix the problem, contact your local authorized service center.

**NOTE: The message “POWER FAILURE” is not a system error. When this message is displayed, it indicates that power to unit was interrupted and then restored. To clear the message, press the > MENU SELECTION key.**

CONTROL PANEL MESSAGE	EXPLANATION AND SOLUTION
ER1 CONTACT SERVICE CENTER	Indicates a serious internal problem. The electronic control panel may require replacement. Contact service. Air Inlet temperature set point for cycling air conditioner to control temperature. Check AC power for low voltage.
ER2 CONTACT SERVICE CENTER	Control panel error. The electronic control panel may require replacement. If error persists, contact service.
ER3 CHECK ROTOR MOTOR	React Temp minus Inlet Temp difference too high indicates rotor stopping – belt or drive motor issue. Check belt tension, belt failure, rotor cleats, and motor operation.
ER4 CHECK AIRFLOW	Heater amps too low indicates fan issue and/or inlet airflow restriction. Clear any obstructions from inlet and/or check fan operation.
ER5 REACT SENSOR CONNECT or ER5 PROCESS SENSOR CONNECT	Temp sensor is open, missing, or shorted. Check that temp sensors are installed correctly on control panel. If error persists, contact service.
ER6 SENSOR CONNECTION ON BD	Inlet Temp/RH sensor is open, missing, or shorted. Check that inlet temp/RH sensor is installed correctly on control panel and inlet shroud. If error persists, contact service.
ER7 CONTACT SERVICE CENTER	Current sensor failure. If error persists, contact service.
ER8 INVALID MODEL SETTING	Incorrect or unsupported DIP switch settings. Contact Dri-Eaz service department for correct DIP switch settings.

<p>ER9 BUTTON STUCK ALL BUTTONS</p>	<p>Key is stuck - or has been held down much too long. Contact Dri-Eaz service department for service/warranty support.</p>
<p>ER10 WIRELESS CONNECTION ON BD</p>	<p>Wireless board has failed, either is missing, shorted or fallen off the control panel. Re-install wireless board to clear error. Contact Dri-Eaz service department for service/warranty support.</p>

## **ABOUT 3M™ HIGH AIR FLOW FILTERS**

*HAF filters from 3M provide superior particle retention, resist microbial growth on filter surfaces and allow for maximum airflow throughout the filter loading cycle. Follow these guidelines to ensure maximum protection for equipment, technicians and the job site:*

**Replace the HAF filter whenever it has been vacuumed clean and reused three times.** HAF filters lose their effectiveness after three uses.

**Replace the HAF filter whenever it has been used on a mold remediation job or otherwise exposed to potentially dangerous contaminants.** Continued use of a contaminated filter risks the spread of contamination.

**Do not wash or apply any liquids to the HAF filter.** Exposure to liquids will reduce the effectiveness of the electrostatic material.

**Do not operate without the HAF filter in place. Do not operate the unit with any other filter type.** Incorrect filtration will reduce unit efficiency and can cause damage to the unit.



# TROUBLESHOOTING

FAULT	CAUSE	SOLUTION
Separate circuit indicator light does not illuminate	Unit not plugged into two separate circuits. Incorrect wiring in the building.	Plug unit into two separate circuits rated for at least 15 amps each. Locate a second 15 amp circuit in the structure.
Circuit breaker trips after a few minutes of operation.	Reactivation outlet not ducted. Ducting is kinked or blocked. Excessively long ducting.	The Reactivation Out must always be ducted. Straighten all ducting as much as possible; remove any blockages. Length should not exceed 20 ft.
Unit does not operate	Unit not switched on. No power to machine.	Switch unit on. Check power cord connections at wall outlet and in top compartment of unit. Check supply circuit breakers.
Unit operating, but room not dry	Not enough time to dry. Poor air movement in room. Excessive moist air infiltration.	Allow more time for drying. Increase evaporation with air movers. Seal off area to reduce infiltration.
Unit removes too little water	Room air is dry. Inlet air temperature is too warm. Inlet air temperature is too damp. Filter is clogged.	Confirm humidity level with hygrometer. Decrease temperature of intake air. Decrease humidity of intake air. Check filter. Clean or replace as necessary.
<p><i>If the problem you are experiencing is not listed here, call your local distributor or contact our Service Department toll-free at 800-932-3030 for further assistance.</i></p>		

## SPECIFICATIONS

Power	115V / 60 Hz
Amps (at 80°F/60%RH)	Circuit 1: 12 Circuit 2: 12
Process air	395 CFM
Reactivation air	65 CFM
Water removal (at 80°F/60%RH)	118 pints/day   55.8 L per/day
Weight	95 lbs.   43.1 kg
Dimensions (W x H x D)	21.14 x 33.13 x 20.25 in. (With handle upright = 42.250 in.) 53.7 x 84.15 x 51.4 cm (With handle upright = 107.3 cm.)
Air filter	3M HAF
Safety	ETL listed to CSA dehumidifier standards

## PARTS INCLUDED

- Reactivation Out duct ring adapter
- Reactivation Out heat-resistant ducting, 20 ft., 6 in.
- 6 in. duct clamp
- Air inlet duct ring adapter (optional, installation required)
- Process air outlet layflat duct adaptor assembly (optional, installation required)
- Two power cords, 25 ft. each

## OPTIONAL

Layflat ducting for process air outlet (F536)

**ADDITIONAL PRODUCT INFORMATION** and current documentation is available at <http://DriTec.DriEaz.com>.

**FOR PARTS AND SERVICE CALL YOUR LOCAL DISTRIBUTOR** or Dri-Eaz at 800-932-3030.

[www.dri-eaz.com](http://www.dri-eaz.com)

Visit [warranty.DriEaz.com](http://warranty.DriEaz.com) and register your purchase to ensure you receive any important product releases.

## Manual del Usuario

# Deshumidificador Disecante DriTec™ 4000i

Modelo F533

DRI-EAZ PRODUCTS, INC.

15180 Josh Wilson Road, Burlington, WA 98233

Teléfono: 800-932-3030 Fax: 360-757-7950 <http://DriTec.DriEaz.com>

El Deshumidificador Disecante Dri-Eaz® DriTec 4000i reduce la humedad en entornos cerrados, quitando el vapor de agua del aire. El 4000i es ideal para la restauración de daños causados por el agua, secado de estructuras, construcción, y especialmente indicado para quitar la humedad de materiales y contenidos estructurales a baja temperatura o en ambientes de humedad baja a intermedia, donde los deshumidificadores refrigerantes trabajan con menor eficiencia

Patentes: <http://www.LBpatents.com>

## LEA Y CONSERVE ESTAS INSTRUCCIONES

### **ADVERTENCIA**

Lea y comprenda el manual, antes de operarlo.



**¡ADVERTENCIA!** No altere ni modifique de ninguna manera su DriTec. Utilice únicamente repuestos autorizados por Dri-Eaz Products, Inc. La modificación o el uso de piezas no aprobadas podría generar peligro y dejará sin efecto su garantía. Póngase en contacto con un distribuidor autorizado de Dri-Eaz para que lo asista.

**¡ADVERTENCIA!** Peligro de shock eléctrico, peligro por giro de aspas, peligro por superficie caliente.

- Antes de usar, asegúrese de que cada cable de energía se coloque en receptáculos IEC. No utilizar si los cables de energía no están calzados en su lugar.
- Antes de usar, inspeccione el cable de energía. Si se encuentra dañado, no lo utilice. Al desenchufar, siempre tome del enchufe (y no del cable).
- Inserte el enchufe de tres patas del cable de energía en un tomacorriente adecuado y con puesta a tierra. No usar adaptadores. Nunca cortar la tercera pata. No usar prolongación.
- La unidad debe funcionar en dos circuitos separados de 115V/60 Hz, protegidos por un interruptor de circuito con descarga a tierra.

- Mantener secos el motor y el cableado.
- Siempre desenchufar la unidad cuando se la limpie o se la repare.
- No intentar reparar la unidad. Para conocer los Centros de Servicio Autorizados, llame a Dri-Eaz Service al 800-932-3030.

### ANTES DE INICIAR

#### Registro de la Garantía

Visite [warranty.drieaz.com](http://warranty.drieaz.com) para registrar su compra. El registro nos permite darle una mejor asistencia durante el uso, mantenimiento o reparación de su equipo, y para contactarlo en el caso de que tuviéramos información importante de seguridad relativa a su producto Dri-Eaz. Si cree que su equipo necesita de un service, tenga disponible la información del modelo, número de serie y comprobante original de compra y llame a un distribuidor para obtener asistencia para la obtención de una autorización de devolución de material (RMA).

### INSTRUCCIONES PARA PUESTA A TIERRA

Los enchufes de la unidad deben insertarse en tomas adecuadas, correctamente instaladas y con puesta a tierra, de acuerdo con los códigos y ordenanzas locales.

**¡ADVERTENCIA!** Una conexión inadecuada de la puesta a tierra del equipamiento puede generar un riesgo de shock eléctrico. En caso de tener dudas sobre si sus tomas están adecuadamente conectados a tierra, verifíquelos con un electricista calificado o personal de servicio. No modifique los enchufes provistos con el artefacto; si los mismos no coinciden con los tomacorrientes, haga que un electricista calificado instale tomas adecuados.

Este equipo está diseñado para ser usado en circuitos con una corriente nominal no superior a 120V.

## Manipule la unidad con cuidado

Siempre opere la unidad sobre una superficie nivelada y estable. No la deje, suelte ni coloque en un lugar en el que se podría caer. Un tratamiento descuidado podría dañar la unidad y crear una situación peligrosa o dejar sin efecto la garantía.

Esta unidad ha sido diseñada para un uso domiciliario y comercial.

## ANTES DEL PRIMER USO

La unidad es enviada con dos juntas de conducto y un kit adaptador dentro del compartimiento. Para la instalación de estos componentes se necesita una llave Allen de 3mm.

### Obligatorio: Instalar la junta del conducto de Salida de Aire de Reactivación

Instalar la Junta del Conducto de Reactivación, de 20' por 6", utilizando la abrazadera provista, y entubar hacia el exterior. Ver Fig. B.

### Opcional: Instalar la junta del conducto de Entrada de Aire

La Junta del Conducto de Entrada de Aire puede ser instalada utilizando los cuatro tornillos provistos. Fig. B.

### Opcional: Colocar los tornillos de desplazamiento de la Salida de Aire Procesado

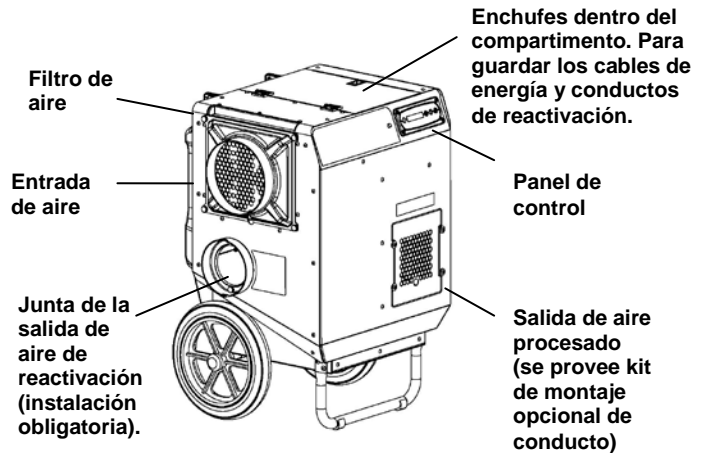
Se puede instalar el Kit Adaptador de Salida de Aire Procesado, utilizando los tornillos de desplazamiento provistos. Ver Fig. B.

## CONTROLES E INSTRUCCIONES OPERATIVAS

### Ubicar el Deshumidificador

Para lograr mejores resultados, utilice el equipo en un

## Fig. A: Identificación de las partes



área cerrada. Cierre todas las puertas y ventanas que den al exterior para incrementar la eficiencia en la remoción de la humedad. Ubique el equipo lejos de cualquier obstrucción que pudiera bloquear el flujo de aire desde y hacia la unidad. Entube la salida de reactivación hacia afuera, a través de un adaptador para ventana o de una ventilación.

### Enchufar los cables eléctricos

**ATENCIÓN:** Los cables del DriTec deben ser enchufados en tomas de 120V separadas, protegidas GFCI, de al menos 15A. Enchúfelos siempre con firmeza en los tomas, primero el del compartimento superior.

**ATENCIÓN:** ÚNICAMENTE conecte a dos circuitos de 15A separados. Una luz verde indica que la conexión es correcta. No se enciende cuando se utiliza un solo cable o si ambos cables de alimentación estén conectados en el circuito de fuente de alimentación same.

### Modos de pantalla de inicio y pantalla normal

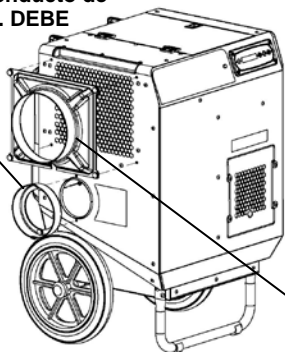
Ni bien la unidad es enchufada a la energía AC, la pantalla del panel de control hará un breve ciclo con varias

## Fig. B: Configuración Inicial

1. Instalar la Junta del Conducto de Salida de Reactivación (necesaria)

2. Instalar Junta del Conducto de Entrada de Aire (opc.)

1. Junta de conducto de salida de aire. DEBE ESTAR INSTALADA



2. Conducto de entrada de aire de proceso (opcional)

3. Instalar el Conducto de Salida de Aire Procesado (opcional)

1. Instalar los 4 tornillos separadores como se muestra.

Parrilla de salida del aire  
Marco de conducto de rejilla

2. Meter el conducto plano (se vende por separado) a través del marco de rejilla y doblar hacia afuera del marco.

3. Colocar el marco metálico dentro de los tornillos separadores y ubicarlo en su lugar. Cuando no se lo use, se puede dejar el marco en los separadores, o colocarlo en el espacio de guardado.

lecturas. Es parte de un autodiagnóstico de la unidad, y no es necesaria la intervención del usuario.

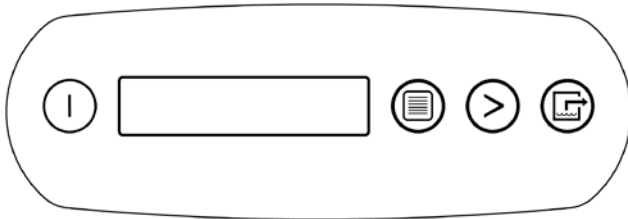
## Ajustes de los Conductos

**ATENCIÓN:** Sólo para uso interior. No exponer la unidad a lluvia o nieve. Si los componentes se mojan, seque completamente la unidad antes de utilizarla.

Aire de Reactivación 20 pies | 6 m  
Aire Procesado 10 pies | 3 m  
Entrada de Aire 30 pies | 9,1 m

**Para más opciones de conductos, ver la Fig. C.**

## PANEL DE CONTROL



Presione ON/OFF para encender la unidad.



**ON/OFF**

Cuando se enciende la máquina, por lo general se lee en la pantalla: PLEASE WAIT WARMING UP. Cuando la unidad completa el proceso de calentamiento, la pantalla dirá UNIT ON XXX HRS y alternará entre INLET XXX°F e INLET XX%.



**MENU DE PANTALLA**

Alterna entre mostrar otras condiciones del deshumidificador, y los Ajustes del Usuario. Para volver al menú principal, presione una vez la tecla ON/OFF.



**SELECCIÓN DE MENÚ / TECLA ARRIBA**

Cambia los ajustes del sistema. La tecla de SELECCIÓN DE MENÚ actúa como una tecla "Arriba" para variar entre los diferentes puntos de ajustes.



**REMOCIÓN DE AGUA**

Presione y suelte para que muestre un cálculo de la cantidad de agua quitada en pintas/día. Luego de 5 minutos de funcionamiento, la unidad dirá WATER REMOVAL XXX PINTS/24H. Después de unos segundos, la pantalla volverá automáticamente al mensaje "Unit On".

zarla.

### Conducto de Salida de Reactivación

El aire de reactivación siempre deberá ser conducido hacia el exterior.

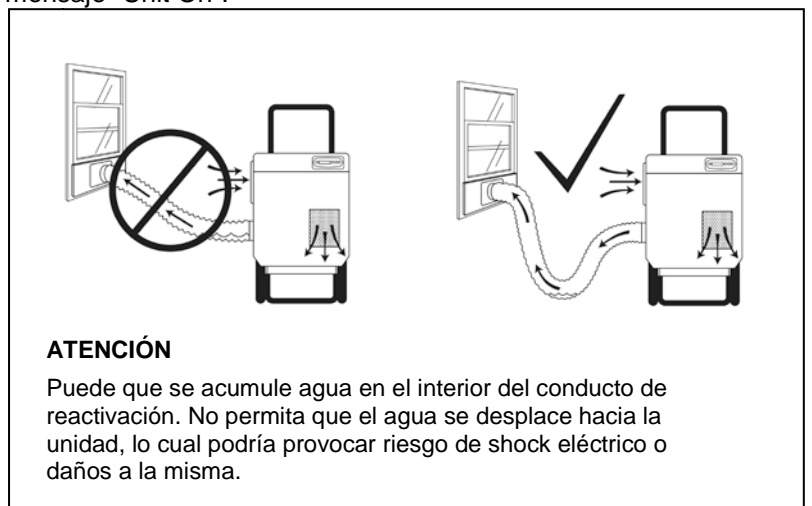
**ATENCIÓN:** Las temperaturas dentro del conducto de salida de reactivación pueden alcanzar 150°F (66°C). Usar sólo conductos de rango adecuado.

### Conducto de Salida de Aire Procesado

El aire procesado puede ser conducido hacia donde sea necesario un secado más concentrado. Utilice sólo conductos chatos.

### Máxima Longitud de los Conductos

Para asegurar un máximo desempeño, los conductos no deberán superar las siguientes longitudes:



### ATENCIÓN

Puede que se acumule agua en el interior del conducto de reactivación. No permita que el agua se desplace hacia la unidad, lo cual podría provocar riesgo de shock eléctrico o daños a la misma.

## AJUSTES DEL USUARIO

Sólo se pueden ajustar los elementos del menú seguidos de un signo mayor (>). Si en 5 minutos no se elige ninguna tecla, la pantalla volverá al modo normal. Los elementos sin el símbolo (>) son sólo para información y no pueden ser cambiados ni ajustados.

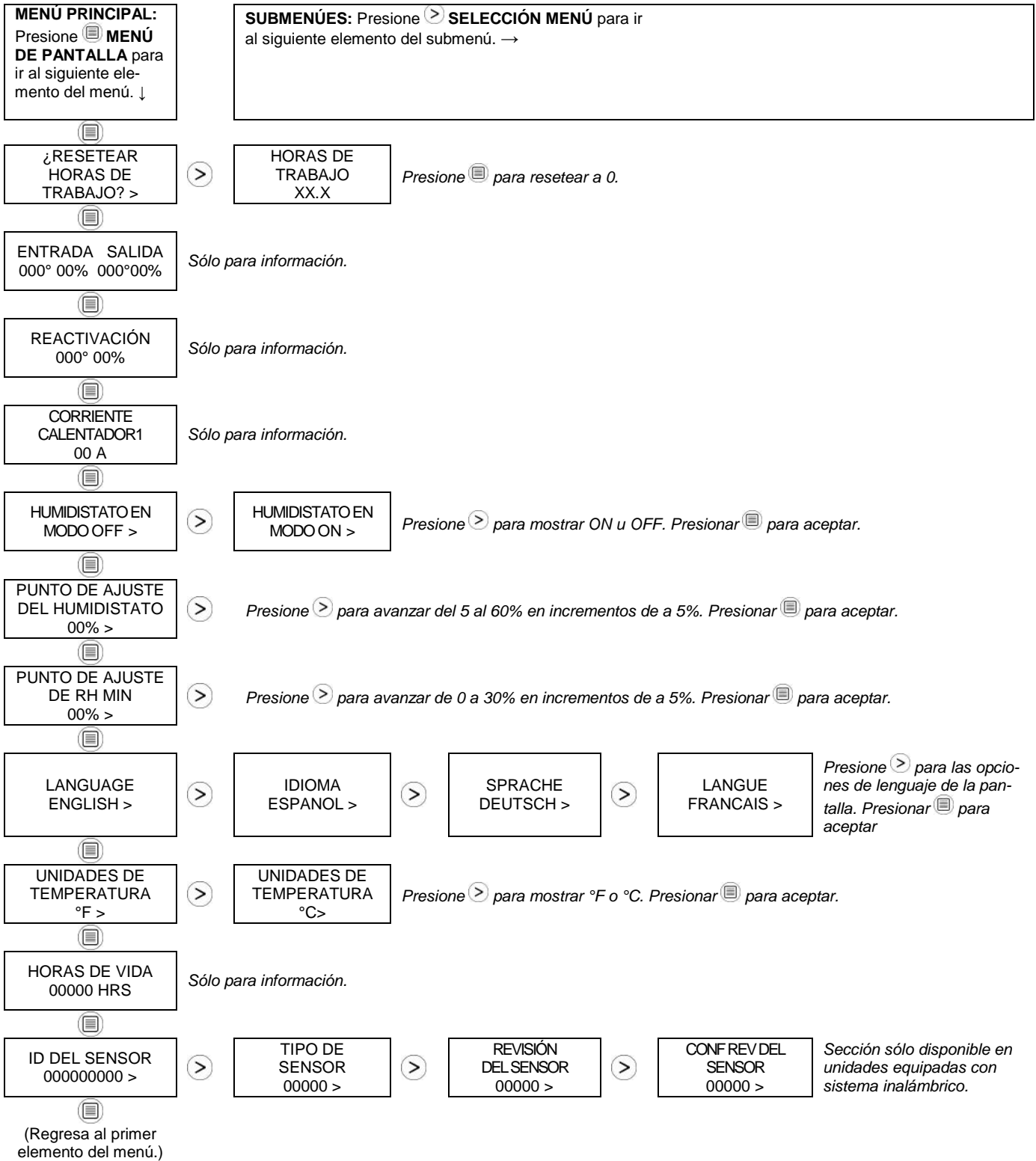


Fig. C: Opciones de Conductos

## Opciones de conductos para el DriTec™ 4000i

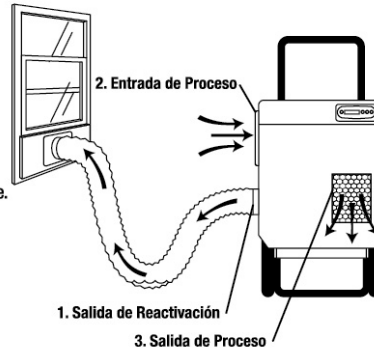
### A. Configuración Básica

Preferentemente siempre lleve la Salida de Reactivación hacia un lugar al aire libre.

#### Consejos:

- Los conductos de reactivación SIEMPRE deben ser instalados en la salida de reactivación. Su extensión no deberá ser mayor a 20 pies (6 m).
- Instalar la tubería con la menor cantidad de curvas posible.
- Haga que el conducto descienda a medida que se aleja de la máquina.

*Nota: Puede que se acumule agua en el interior del conducto de reactivación. Al moverlo, tenga cuidado de no derramarla en el interior de la máquina o sobre el suelo.*



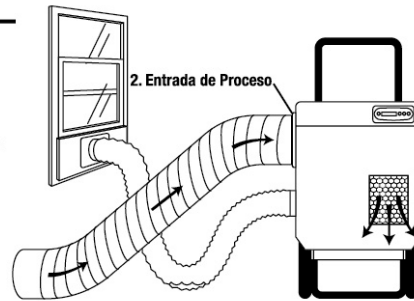
### B. Opciones Avanzadas

#### 1. Tubería de entrada (2) para mejorar el rendimiento

Si se dirige aire más frío o más seco hacia la entrada de aire, se podrá mejorar el rendimiento del desecante.

#### Consejos:

- No introducir por conducto, aire de proceso que provenga de un deshumidificador refrigerante, ya que podría reducir la eficiencia del desecante.

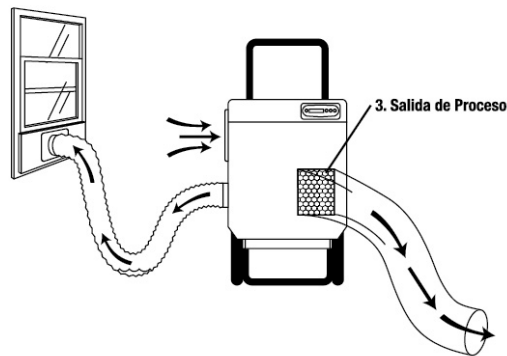


#### 2. Tubería de salida de proceso (3) para distribuir el secado

Conducir por tuberías la salida de aire procesado hacia áreas de difícil acceso o bien para poder ubicar la unidad cerca de una adecuada salida para el aire de reactivación.

#### Consejos:

- Utilizar conductos planos para conducir el aire procesado hacia las zonas afectadas.
- Para una mayor distribución del aire procesado, realizar cortes regulares de 4 a 6 pulgadas a lo largo del conducto plano y cerrar el final.

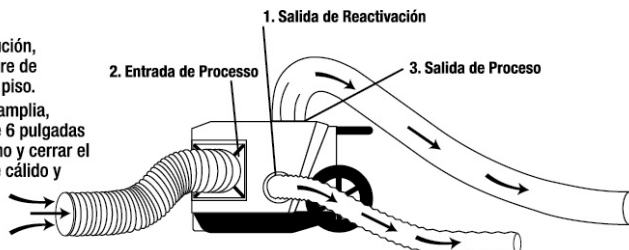


#### 3. Utilizar en espacios reducidos o de baja altura

Hacer funcionar la unidad de espaldas en sectores de techos bajos o espacios reducidos. Entubar la salida de reactivación (1) hacia afuera. Si se lo deseara, la entrada de aire (2) y la salida de aire procesado (3) pueden ser entubadas tal como se lo describe en B1 y B2 más arriba.

#### Consejos:

- Para una adecuada distribución, colocar los conductos de aire de proceso entre las vigas del piso.
- Para una distribución más amplia, realizar cortes regulares de 6 pulgadas a lo largo del conducto plano y cerrar el final, para así liberar el aire cálido y seco donde se lo requiera.



## TRANSPORTE Y ALMACENAMIENTO

**ATENCIÓN:** Manipule la unidad con cuidado. Un trato brusco podría dañar este equipamiento y generar condiciones riesgosas o la pérdida de la garantía.

- No exponer el panel de control a humedad, lluvia ni nieve.
- Transportar y almacenar de manera segura, para evitar impactos que dañen las partes interiores.
- Sujetar durante el transporte, para evitar deslizamientos y posibles lesiones a los ocupantes del vehículo.

## MANTENIMIENTO

**¡ADVERTENCIA! RIESGO DE SHOCK ELÉCTRICO.** Desenchufar la unidad antes de limpiarla o repararla.

**ADVERTENCIA:** Riesgo de exposición a polvillo y contaminantes. Se recomienda el uso de máscara respiradora y guantes. Si la unidad ha sido expuesta a contaminantes potencialmente riesgosos, se la deberá limpiar y desinfectar por completo, antes de un nuevo uso.

Según sea necesario (elementos exteriores)

**Filtro de Aire.** Inspeccionar y aspirar, de ser necesario. Reemplazar el filtro de alto flujo de aire cuando ya haya sido aspirado y reutilizado en tres ocasiones. Para más información, consultar "Acerca de los Filtros de Aire 3M."

**Para conservar el aspecto,** limpiar con un trapo húmedo las superficies del exterior y el interior.

Controlar si el conducto de aire de reactivación presenta quebraduras, grietas o cortes. De ser necesario, reemplazar con conductos adecuados, resistentes al calor.

Según sea necesario (elementos interiores) Fig. D.

**ATENCIÓN:** Riesgo de shock eléctrico. Desenchufar la unidad antes de sacarle los paneles laterales.

**ATENCIÓN:** La unidad contiene sensores electrónicos sensibles. Protéjalos (y a sus cables) de cualquier daño, y no los exponga a agua ni a una solución de limpieza.

Se requieren las siguientes herramientas e insumos para los procesos de mantenimiento descritos en este manual:

- Llave Allen de 3 mm y taladro eléctrico
- Paño limpio
- Aspiradora con accesorio de cepillo suave y/o boquilla de aire a alta presión
- Destornillador Phillips

**Quitar el panel lateral.** Saque los tornillos del panel de salida de reactivación / entrada de aire. **¡IMPORTANTE!** El cable del sensor de temp entrada/RH se halla sujeto al interior del panel y debe ser quitado antes de separar el panel. Para quitarlo, primero suelte el enchufe y luego deslice el cable por debajo de la presilla. Cuando el cable se haya liberado totalmente, podrá separar el panel.

**Inspeccionar y limpiar el ventilador**

Controle que el impulsor gire libremente. Aspirar o reparar con un trapo todas las superficies.

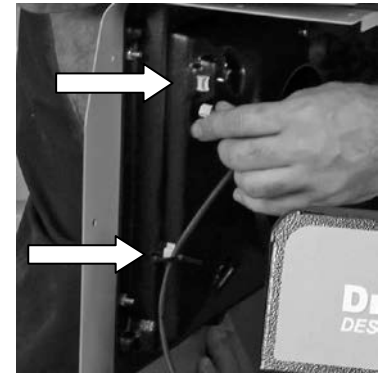
**Inspeccionar y limpiar el rotor del desecante**

Asegúrese de que el rotor esté libre de polvillo y basura. Utilice una aspiradora o aire a presión para quitar el polvillo del rotor.

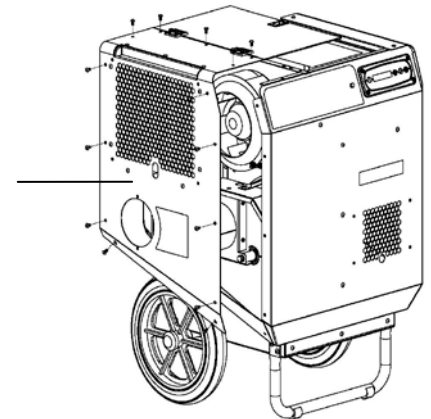
**Fig. D: Vistas interiores Fig. A: Parts Fig. A: Parts Identification**

**¡IMPORTANTE!** El cable del sensor de Temp/RH está sujeto al interior del panel. Desenchufe y deslice el cable de su presilla antes de separar el panel.

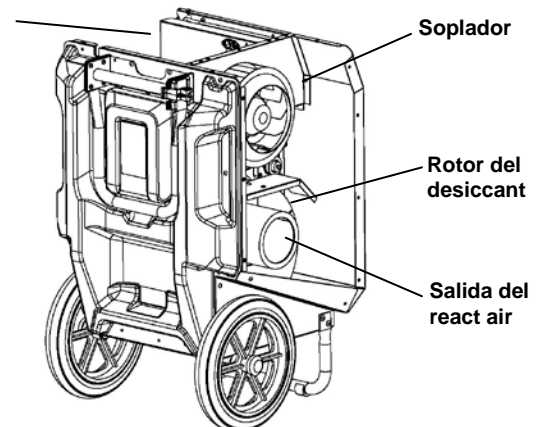
Suelte el cable del sensor antes de separar el panel lateral. Asegúrese de volver a colocar el cable cuando reponga el panel.



Panel de Salida de React / ingreso de aire. Quite este panel para un control y limpieza de rutina del interior.



Espacio de guardar. Cajas de enchufes ubicadas dentro y air



**Inspeccionar la correa del rotor.** Controle si tiene la tensión adecuada. La misma no se debería desviar más de ¼ pulg. (0,6 cm) bajo una moderada presión de unas 2 libras de fuerza (como empujar con un dedo). Si la correa se desvía en exceso o si tiene grietas o desgaste excesivo, póngase en contacto con su distribuidor local para recibir instrucciones.

**Aspirar el interior** para quitar polvillo y basuras. Limpiar superficies interiores con un trapo limpio y seco. No aplicar agua ni ningún tipo de solución de limpieza. Tenga cuidado de no dañar sensores electrónicos ni cables.

**Volver a colocar el panel lateral.** Vuelva a poner el cable del sensor en el interior del panel. Pase el cable por la presilla y luego enchúfelo. Ahora ponga los tornillos y ajústelos a mano, comenzando por el de arriba y luego bajando. Cuando todos están correctamente ubicados, utilice una herramienta manual para ajustarlos adecuadamente. No se exceda. No utilice herramientas eléctricas para ajustar los tornillos.

## MENSAJES DEL SISTEMA

Si el sistema de control detectara un error, generará un mensaje de error ("ER"). En tal caso, primero desenchufe la unidad y vuélvala a enchufar. Por lo general, esto restablecerá el mecanismo electrónico, y la unidad comenzará a funcionar normalmente. Si vuelve a aparecer el mensaje de error, remítase a las explicaciones y soluciones que se muestran a continuación. Si éstas no resuelven el problema, póngase en contacto con su centro de servicio local autorizado.

**NOTA: El mensaje "POWER FAILURE" no es un error de sistema. Cuando se muestra, indica que la energía que ingresa a la unidad ha sido interrumpida y luego repuesta. Para borrarlo, presione la tecla > SELECCIÓN MENÚ.**

MENSAJE DEL PANEL DE CONTROL	EXPLICACIÓN Y SOLUCIÓN
ER1 CONTACTAR AL CENTRO DE SERVICIOS	Indica que hay un problema interno serio. Puede que el panel de control electrónico necesite ser reemplazado. Póngase en contacto con el servicio. Punto de ajuste de la temperatura de ingreso de aire para hacer un ciclo del acondicionador de aire a temperatura de control. Verifique si la corriente AC posee bajo voltaje.
ER2 CONTACTAR AL CENTRO DE SERVICIOS	Error del Panel de Control. Puede que el panel de control electrónico necesite ser reemplazado. Si el error continúa, póngase en contacto con el servicio.
ER3 CONTROLAR EL MOTOR DEL ROTOR	Si la diferencia entre la Temperatura de Reactivación y la Temperatura de Entrada es muy alta, esto indica que se detuvo el rotor por una cuestión de la correa o del motor de impulso. Controle la tensión de la correa y si presenta algún fallo, y además los tacos del rotor y el funcionamiento del motor.
ER4 CONTROLAR FLUJO DE AIRE	Un amperaje bajo en el calentador indica que hay un problema con el ventilador y/o una restricción de la entrada de aire. Verifique si hay alguna obstrucción del ingreso y/o controle el funcionamiento del ventilador.
ER5 CONEXIÓN DEL SENSOR DE REACTIVACIÓN o ER5 CONECTAR SENSOR DE PROCESO	El sensor de temperatura se halla abierto, falta o está en cortocircuito. Controle que los sensores de temperatura se hallen correctamente instalados en el panel de control. Si el error continúa, póngase en contacto con el servicio.
ER6 CONEXIÓN DEL SENSOR EN BD	El sensor de temperatura de ingreso/RH se halla abierto, falta o está en cortocircuito. Controle que el sensor de temperatura de ingreso/RH se halle correctamente instalado en el panel de control y la entrada cubierta. Si el error continúa, póngase en contacto con el servicio.
ER7 CONTACTAR AL CENTRO DE SERVICIOS	Falla en el sensor de corriente. Si el error continúa, póngase en contacto con el servicio.



ER8 AJUSTE DE MODELO NO VÁLIDO	Ajustes de interruptor DIP incorrectos o no soportados. Contactar al departamento de servicio de Dri-Eaz para obtener los correctos ajustes del interruptor DIP.
ER9 BOTÓN TRABADO TODOS LOS BOTONES	Se ha trabado una tecla o ha estado presionada mucho tiempo. Contactar al departamento de servicio de Dri-Eaz para obtener una reparación o una garantía.
ER10 CONEXIÓN INALÁMBRICA EN BD	Falla en la tarjeta inalámbrica, sea porque falta, está en cortocircuito o se salió del panel de control. Reinstale la tarjeta inalámbrica para solucionar el error. Contactar al departamento de servicio de Dri-Eaz para obtener una reparación o una garantía.

## ACERCA DE LOS FILTROS 3M™ DE ALTO FLUJO DE AIRE (HAF)

*Los filtros HAF de 3M permiten una retención de partículas superior, resisten al desarrollo de microbios en su superficie y permiten un máximo flujo de aire a través del ciclo de carga del filtro. Siga estos lineamientos para asegurarse una máxima protección para el equipo, los técnicos y el lugar de trabajo:*

**Reemplazar el filtro HAF cuando haya sido aspirado y reutilizado en tres ocasiones.** Los filtros HAF pierden su efectividad después de tres usos.

**Reemplazar el filtro HAF cuando haya sido utilizado en la remediación de un lugar con mohos o haya sido expuesto de alguna manera a contaminantes potencialmente peligrosos.** El uso continuado de filtros contaminados conlleva el riesgo de que se disperse la contaminación.

**No lavar ni aplicar ningún tipo de líquidos sobre el filtro HAF.** La exposición a líquidos reducirá la efectividad del material electrostático.

**No utilizar sin el filtro HAF en su lugar. No operar la unidad con ningún otro tipo de filtro.** Una incorrecta filtración reducirá la eficiencia de la unidad y podría provocarle daños.

## RESOLUCIÓN DE PROBLEMAS

FALLA	CAUSA	SOLUCIÓN
No se enciende la luz indicadora de circuitos separados	La unidad no está enchufada en dos circuitos separados. Cableado incorrecto en el inmueble.	Enchufar la unidad en dos circuitos separados, con un amperaje de al menos 15 en cada uno. Ubique en el inmueble un segundo circuito de 15 amp.
El interruptor de circuito se activa luego de unos minutos de uso.	No está colocado el conducto de reactivación. El conducto está obstruido o mal colocado. Conducto demasiado extenso.	La salida de Reactivación siempre debe estar entubada. Estire los conductos lo más que pueda; quite cualquier interrupción. La longitud no debe exceder los 20 pies.
La unidad no funciona	La unidad no está encendida. No llega energía a la máquina.	Encienda la unidad. Controle las conexiones del cable en el toma de la pared y en el compartimiento superior de la unidad. Verifique los interruptores en el circuito de suministro.
La unidad funciona, pero el ambiente no se seca	No hubo suficiente tiempo de secado. Poco movimiento de aire en el ambiente. Humedad excesiva en el ambiente.	Destine más tiempo para el secado. Incremente la evaporación con ventiladores para mover el aire. Selle toda la superficie para reducir la infiltración.
La unidad quita muy poca agua	El aire del ambiente es seco. Temperatura de entrada de aire muy cálida. Entrada de aire muy húmeda. El filtro está obstruido.	Confirme el nivel de humedad con un higrómetro. Reduzca la temperatura de la entrada de aire. Reduzca la humedad de la entrada de aire. Controle el filtro. Límpielo o reemplácelo, según necesidad.
<p><i>Si el problema que enfrenta no se encuentra aquí previsto, llame a su distribuidor local o póngase en contacto con nuestro Departamento de Servicio, llamando sin cargo al 800-932-3030 para una mayor asistencia.</i></p>		

### ESPECIFICACIONES

Energía	115V / 60 Hz
Amperes (a 80°F/60%RH)	Circuito 1: 12 Circuito 2: 12
Aire Procesado	395 CFM
Aire de Reactivación	65 CFM
Remoción de agua (a 80°F/60%RH)	118 pintas/día   55,8 L por día
Peso	95 lbs.   43,1 kg
Dimensiones (Ancho x Alto x Profundidad)	21,14 x 33,13 x 20,25 plg. (con manija levantada = 42,250 plg.) 53,7 x 84,15 x 51,4 cm (con manija levantada = 107,3 cm.)
Filtro de aire	3M HAF
Seguridad	ETL listada para las normas CSA para deshumidificadores

### PIEZAS INCLUIDAS

- Junta adaptadora para conducto de salida de Reactivación
- Conducto resistente al calor para Salida de Reactivación, 20 pies, 6 plg.
- Abrazadera para conducto de 6"
- Junta adaptadora para entrada de aire (opcional, con instalación requerida)
- Montaje adaptador para conducto plano para la salida de aire procesado (opcional, instalación requerida)
- Dos cables de energía, de 25 pies cada uno

### OPCIONAL

Conducto plano para salida de aire procesado (F536)

**INFORMACIÓN ADICIONAL DEL PRODUCTO** y la presente documentación, disponibles en <http://DriTec.DriEaz.com>.

**POR PIEZAS Y SERVICIO, LLAME A SU DISTRIBUIDOR LOCAL** o a Dri-Eaz, al 800-932-3030.  
[www.dri-eaz.com](http://www.dri-eaz.com)

Visite [warranty.DriEaz.com](http://warranty.DriEaz.com) y registre su compra para asegurarse de que recibe cualquier novedad importante sobre el producto.

## **Guide d'utilisation** **Déshumidificateur déshydratant DriTec™ 4000i**

Modèle F533

DRI-EAZ PRODUCTS, INC.

15180 Josh Wilson Road ■ Burlington, WA 98233 É.-U.

Téléphone : 800-932-3030 Télécopie : 360-757-7950 <http://DriTec.DriEaz.com>

Le déshumidificateur déshydratant DriTec 4000i de Dri-Eaz® réduit l'humidité dans les structures fermées en éliminant la vapeur d'eau de l'air. Le 4000i est idéal pour la réfection (dégâts causés par l'eau), le séchage des structures, et pour les chantiers de construction. Il convient particulièrement pour éliminer l'humidité des matériaux et contenus structuraux dans des environnements à basse température, où le taux d'humidité est faible à moyen et les déshumidificateurs à frigorigène sont moins efficaces.

Brevets : <http://www.LBpatents.com>

### **LIRE ET CONSERVER CES INSTRUCTIONS**



#### **AVERTISSEMENT**

Lire et bien comprendre ce guide avant d'utiliser l'appareil.



**AVERTISSEMENT!** Ne jamais transformer ni modifier le produit DriTec. Utiliser uniquement des pièces de rechange autorisées par Dri-Eaz Products, Inc. Une modification ou l'utilisation de pièces de rechange non approuvées pourraient créer un danger. Par ailleurs, la garantie sera annulée. Communiquer avec son distributeur autorisé Dri-Eaz pour obtenir de l'aide.

**AVERTISSEMENT!** Risque de choc électrique; pièces en rotation; surfaces très chaudes.

- Fixer chaque cordon d'alimentation sur les prises IEC de la poignée avant utilisation. Ne jamais utiliser si les cordons ne sont pas fixés en place.
- Examiner le cordon avant utilisation. Ne pas utiliser si le cordon est abîmé. Saisir la prise (et non le cordon) pour débrancher l'appareil.
- Brancher la prise mâle à trois fiches du cordon sur une prise femelle correspondante, mise à la terre. Ne pas utiliser un adaptateur. Ne jamais sectionner la troisième fiche. Ne pas utiliser de rallonge.

- L'appareil doit fonctionner sur deux circuits distincts de 115 V/60 Hz protégés par un disjoncteur de fuite de terre.
- Garder au sec le moteur et le câblage.
- Toujours débrancher l'appareil avant le nettoyage ou l'entretien.
- Ne pas essayer de réparer l'appareil. Pour les centres de service autorisés, appeler Dri-Eaz Service au 800-932-3030.

#### **PRÉLIMINAIRES**

##### **Enregistrement pour la garantie**

Visitez [warranty.drieaz.com](http://warranty.drieaz.com) pour enregistrer votre achat. L'enregistrement nous permettra de mieux vous aider en ce qui concerne l'utilisation, l'entretien ou la réparation de votre équipement, et nous pourrions ainsi vous communiquer des renseignements éventuels importants en matière de sécurité sur votre produit Dri-Eaz. Si une réparation est nécessaire, assurez-vous d'avoir en main le modèle de votre équipement, le numéro de série et la preuve d'achat originale, puis appelez votre distributeur pour obtenir un numéro d'autorisation de retour (RMA).

##### **DIRECTIVES DE MISE À LA TERRE**

Les fiches de cet appareil doivent être branchées uniquement sur une prise adéquatement installée et mise à la terre conformément aux codes et aux règlements de votre localité.

**AVERTISSEMENT!** Une connexion inadéquate du fil de mise à la terre peut entraîner un risque de choc électrique. Consultez un électricien ou un dépanneur qualifié si vous n'avez pas la certitude que la prise possède un contact de mise à la terre approprié. Veillez à ne pas modifier les fiches fournies avec cet appareil. Si vous ne pouvez pas les insérer dans une prise, faites installer une prise appropriée par un électricien qualifié.

Cet équipement est destiné à des circuits dont la tension nominale est au maximum 120 V.

## Manipuler l'appareil avec soin

Toujours utiliser l'appareil sur une surface stable et horizontale. Ne pas lancer ni faire tomber l'appareil, ni le placer à un endroit où il pourrait basculer. Un traitement brutal de l'appareil risque de l'endommager et de créer une condition dangereuse, ou encore d'annuler la garantie.

Cet appareil est destiné à un usage domestique, ainsi qu'à un usage commercial.

## AVANT L'UTILISATION INITIALE

Cet appareil est livré avec deux colliers de gaine et un adaptateur emballés dans le compartiment de rangement. Une clé Allen 3 mm est nécessaire pour mettre en place ces composants.

### Obligatoire : Poser le collier de gaine sur la sortie de l'air de réactivation

Poser le collier de la gaine de réactivation (20 pi par 6 po de diam.) avec la bride fournie, puis acheminer la gaine vers l'extérieur. Voir Fig. B.

### Facultatif : Poser le collier de la prise d'air

Visser au besoin le collier de la gaine de prise d'air (quatre vis fournies). Voir Fig. B.

### Facultatif : Poser les vis sortantes de la sortie de l'air de traitement

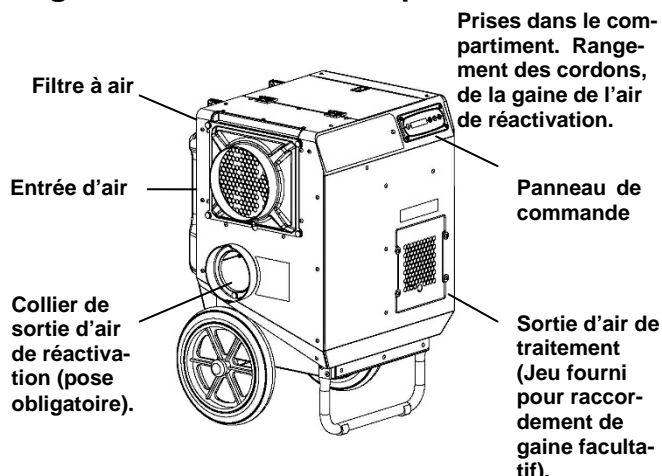
Poser au besoin l'adaptateur à la sortie de l'air de traitement avec les vis sortantes fournies. Voir Fig. B.

## COMMANDES ET MODE D'EMPLOI

### Mise en place du déshumidificateur

Pour obtenir les meilleurs résultats, utiliser le déshumidificateur

## Fig. A: Identification des pièces



ficateur dans une pièce close. Fermer les portes et les fenêtres qui s'ouvrent vers l'extérieur, afin d'optimiser l'élimination de l'eau. Placer le déshumidificateur loin des obstacles qui pourraient bloquer l'écoulement de l'air vers l'appareil et hors de celui-ci. Acheminer la sortie de l'air de réactivation vers l'extérieur, par un adaptateur de fenêtre ou un évent de sècheuse.

## Branchement des cordons

**AVIS :** Les cordons électriques du DriTec doivent être branchés sur des prises distinctes, protégées par un disjoncteur de fuite de terre, de 120 V et d'une intensité nominale d'au moins 15 A. Toujours insérer d'abord fermement les fiches de cordons dans les prise du compartiment supérieur.

**AVIS :** Brancher UNIQUEMENT sur deux circuits distincts de 15 A. Un voyant vert signale que les branchements sont corrects. Le voyant reste éteint lorsque l'on utilise un seul cordon ou si les deux cordons d'alimentation sont branchés dans le circuit de source d'alimentation même.

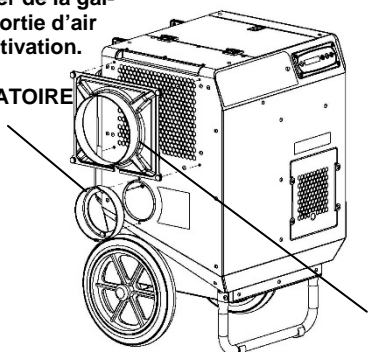
## Affichage au démarrage et modes d'affichage nor-

## Fig. B: Raccordement initial

1. Poser le collier de la gaine de sortie d'air de réactivation (obligatoire)

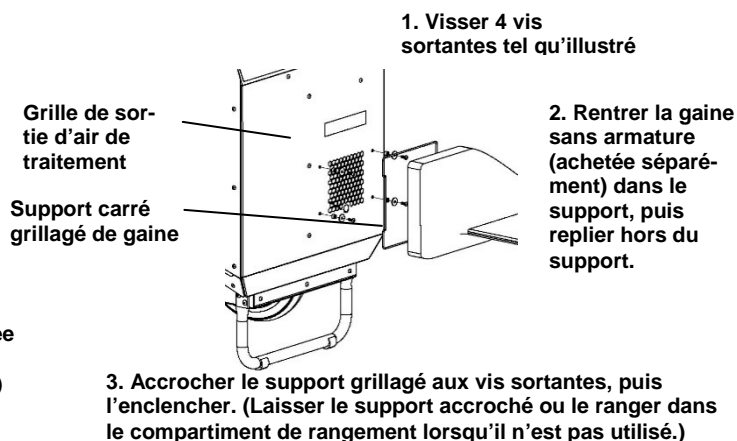
2. Poser le collier de la gaine d'entrée d'air (facultatif)

1. Collier de la gaine de sortie d'air de réactivation. POSE OBLIGATOIRE



2. Gaine d'entrée d'air de traitement (facultatif)

3. Poser la gaine de sortie de l'air de traitement (facultatif)



mal

Lors du premier branchement de l'appareil sur une prise secteur, l'écran du panneau de commande passe brièvement par une série d'affichages. Ceci fait partie de la procédure d'autodiagnostic de l'appareil; l'utilisateur n'a pas besoin d'intervenir.

## Raccordement des gaines

**AVIS : Pour utilisation à l'intérieur seulement. Ne pas exposer l'appareil à la pluie ou à la neige. Si les composants électriques deviennent mouillés, laisser l'appareil sécher intégralement avant de le mettre en marche.**

### Raccordement de la gaine de sortie de l'air de réactivation

Toujours acheminer l'air de réactivation vers l'extérieur.

**AVIS : La température dans la gaine de sortie de l'air de réactivation peut atteindre 66 °C. Utiliser uniquement des gaines dont la capacité thermique nominale est appropriée.**

### Raccordement de la gaine de sortie de l'air de traitement

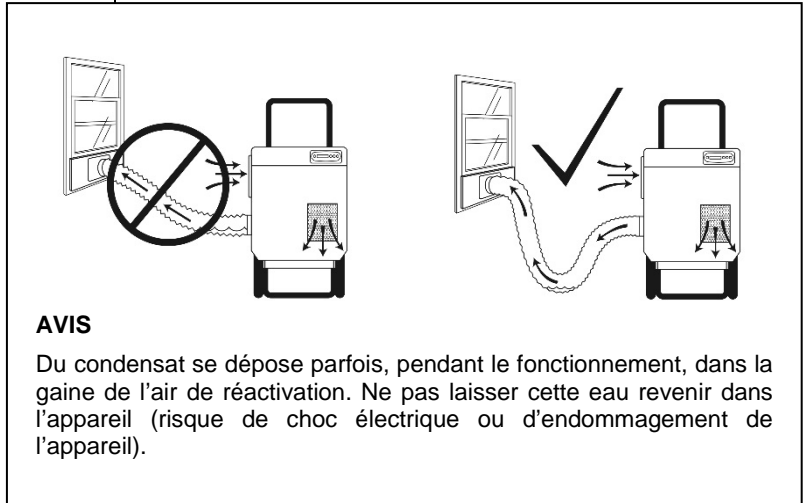
Raccorder une gaine de sortie d'air de traitement lorsqu'un séchage plus concentré est requis. Utiliser uniquement avec une gaine sans armature.

## Longueur maximale des gaines

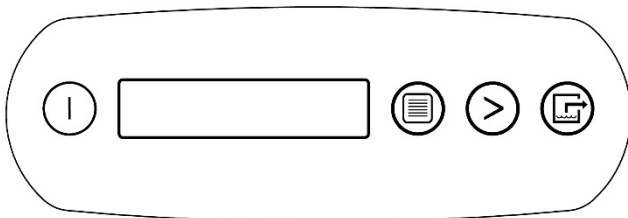
Pour un rendement maximum, ne pas dépasser les longueurs de gaines suivantes :

Air de réactivation	20 pi   6 m
Air de traitement	10 pi   3 m
Arrivée d'air	30 pi   9,1 m

**Pour d'autres options de raccordement, voir Fig. C.**



## PANNEAU DE COMMANDE



Appuyer sur  Marche-Arrêt pour allumer l'appareil.



### MARCHE-ARRET

Lorsqu'on allume l'appareil, l'écran affiche normalement PATIENTER, RÉCHAUFFAGE. Au terme du réchauffage, l'écran affiche XXX HRS EN MARCHE et alterne entre ENTRÉE XX °C (ou °F) et ENTRÉE XX %.



### MENU D'AFFICHAGE

Défilement d'autres conditions du déshumidificateur et des paramètres utilisateur. Appuyer une fois sur la touche Marche-Arrêt pour revenir au menu principal.



### SÉLECTION DE MENU / TOUCHE +

Pour modifier les paramètres du système. La touche de SÉLECTION DE MENU sert également de touche « + » pour faire défiler les points de consigne.

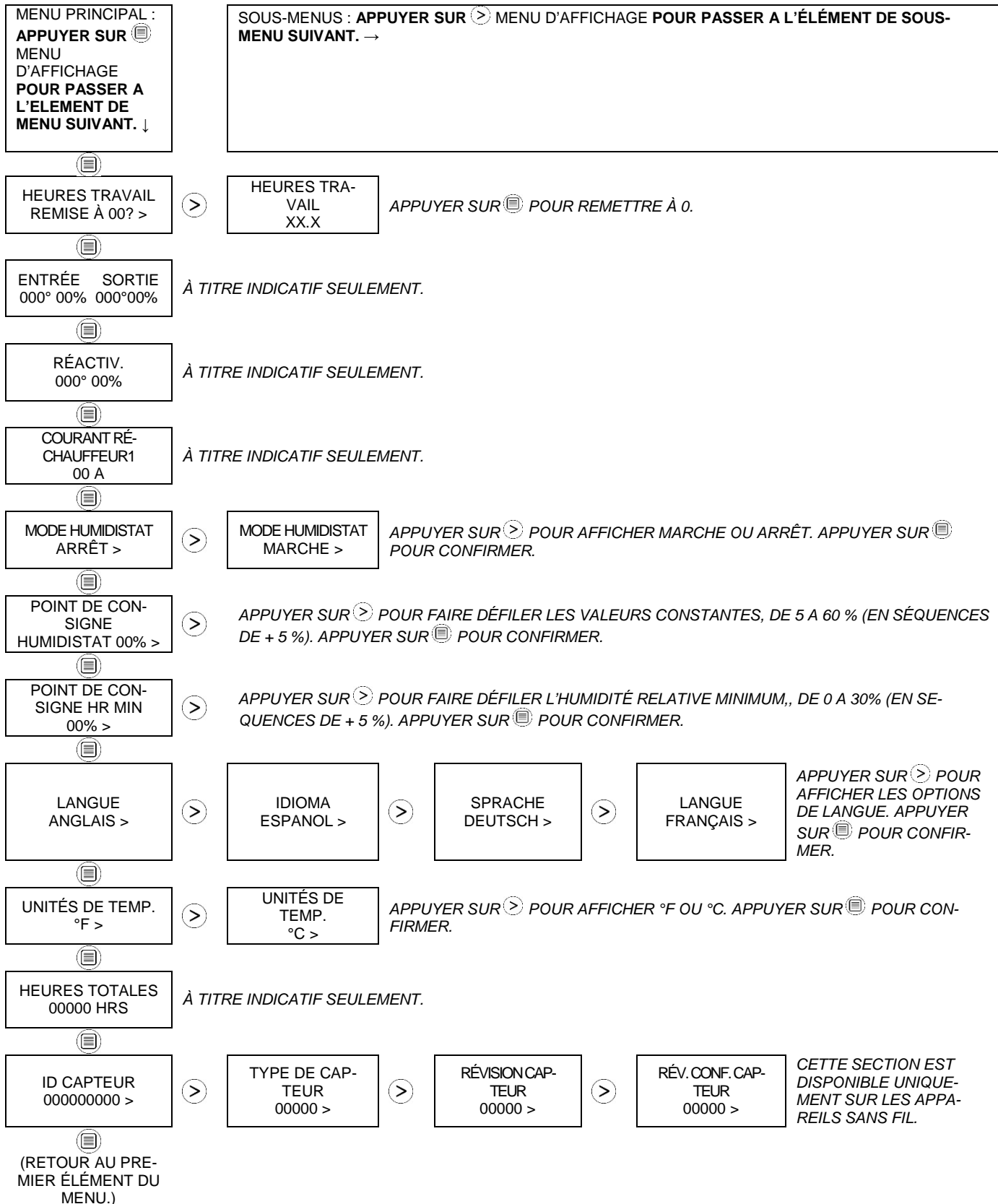


### EXTRACTION D'EAU

Appuyer et relâcher pour afficher une quantité calculée d'extraction d'eau en chopines par jour. L'appareil affichera EXTRACTION D'EAU XXX CHOPINES/24H après 5 minutes de temps de marche. L'écran revient automatiquement à l'affichage « En marche » après quelques secondes.

## PARAMÈTRES UTILISATEUR

Seuls les éléments de menu suivis d'un symbole « plus grand que (>) » peuvent être réglés. Si aucune touche n'est enfoncée après 5 minutes, l'écran revient au mode d'affichage normal. Les éléments sans le symbole (>) sont à titre indicatif seulement et ne peuvent être modifiés ou réglés.



to the unit.

Fig. C:

## Options de raccordement DriTec™ 4000i

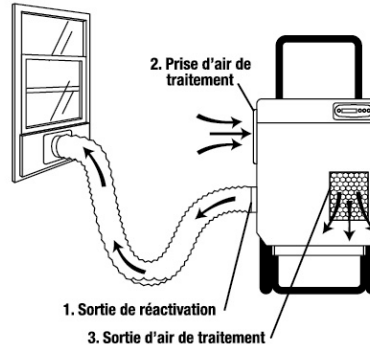
### A. Raccordement de base

Toujours raccorder la sortie de l'air de réactivation à une gaine, aboutissant de préférence à l'extérieur.

**Astuces:**

- La sortie de l'air de réactivation doit TOUJOURS être raccordée à une gaine d'air de réactivation, dont la longueur ne doit pas dépasser 20 pi (6 m).
- Acheminer la gaine aussi droite que possible.
- Faire descendre la gaine à la sortie de l'appareil.

*Remarque : De l'eau s'accumule parfois dans la gaine de réactivation. Veiller à ne pas déverser l'eau dans l'appareil ou sur le plancher lorsqu'on déplace la gaine.*



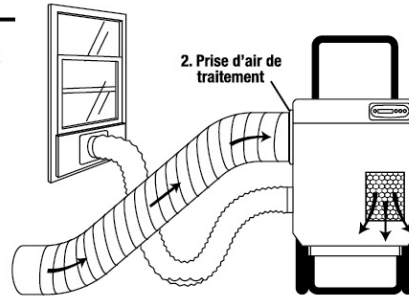
### B. Options avancées

#### 1. Raccorder l'entrée de l'air de traitement (2) à une gaine pour améliorer le rendement

Une arrivée d'air plus froid ou plus sec dans la prise d'air peut augmenter l'efficacité du déshydratant.

**Astuces:**

- Ne pas raccorder la prise d'air de traitement à un déshumidificateur à frigorigène, ce qui risquerait de diminuer l'efficacité du déshydratant.

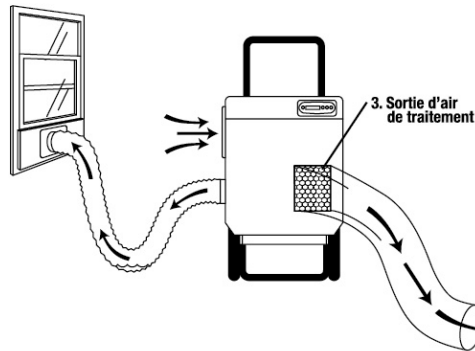


#### 2. Raccorder la sortie de l'air de traitement (3) à une gaine pour cibler le séchage

Acheminer une gaine de la sortie d'air de traitement vers des zones difficiles d'accès, ou pour garder l'appareil proche d'une sortie adéquate de l'air de réactivation.

**Astuces:**

- Utiliser une gaine sans armature pour diriger l'air de traitement dans les zones touchées.
- Pour une distribution plus étendue de l'air de traitement, faire des découpes de 4-6 po à intervalles et nouer l'extrémité.

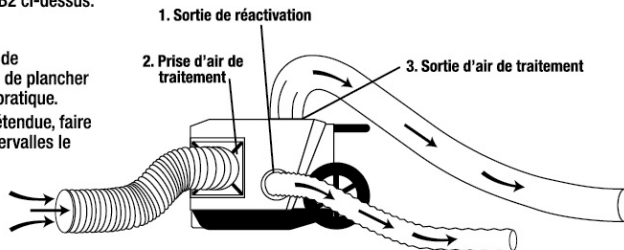


#### 3. Utiliser dans les vides sanitaires et dans les zones à hauteur limitée

Coucher l'appareil sur sa face arrière dans les zones à plafond bas/hauteur limitée. Acheminer à l'extérieur la gaine de la sortie d'air de réactivation (1). Raccorder au choix la prise d'air (2) et la sortie de l'air de traitement (3) de la manière expliquée dans B1 et B2 ci-dessus.

**Astuces:**

- Acheminer la gaine de l'air de traitement entre les solives de plancher pour une distribution d'air pratique.
- Pour une distribution plus étendue, faire des découpes de 6 po à intervalles le long de la gaine sans armature, puis nouer l'extrémité pour que l'air chaud et sec s'échappe aux endroits souhaités.



44-220 A

## TRANSPORT ET RANGEMENT

**AVIS :** Manipuler l'appareil avec soin. Un traitement brutal de l'appareil risque de l'endommager et de créer une condition dangereuse, ou encore d'annuler la garantie.

- Ne pas exposer le panneau de commande à l'humidité, à la neige ou à la pluie.
- Protéger l'appareil lors du rangement ou du transport; éviter les chocs risquant d'endommager les pièces internes.
- Arrimer l'appareil lors de son transport pour l'empêcher de glisser et prévenir les blessures aux occupants du véhicule.

## ENTRETIEN

**AVERTISSEMENT! RISQUE DE CHOC ÉLECTRIQUE.**  
Débrancher l'appareil avant le nettoyage ou l'entretien.

**AVERTISSEMENT :** Risque d'exposition à la poussière et aux polluants. Il est conseillé de porter un masque respiratoire et des gants. Si l'appareil a été exposé à des contaminants potentiellement dangereux, nettoyer à fond et désinfecter avant de les porter à nouveau.

**Si besoin est (éléments extérieurs)**

**Filtre à air.** Examiner et nettoyer à l'aspirateur selon les besoins. **Remplacer le filtre HAF après l'avoir nettoyé à l'aspirateur et réutilisé trois fois.** Voir « Présentation des filtres à air à haute efficacité 3M » pour un complément d'information.

**Pour maintenir leur éclat,** passer un chiffon humide sur les surfaces intérieures et extérieures.

Vérifier l'état de la gaine de sortie de l'air de réactivation : fissures, fentes, ruptures. Remplacer au besoin par une gaine appropriée résistante à la chaleur.

**Si besoin est (éléments intérieurs) Voir Fig. D.**

**AVIS :** Risque de choc électrique. Débrancher l'appareil avant de retirer les panneaux latéraux.

**AVIS :** L'appareil abrite des capteurs électroniques de précision. Protéger contre tout dommage ces capteurs et leurs fils; ne pas les exposer à l'eau ni à une solution de nettoyage.

Les outils et les articles suivants sont obligatoires pour faire l'entretien expliqué dans ce guide :

- Clé Allen 3 mm ou foret et perceuse sans fil
- Chiffons propres
- Aspirateur avec suceur à brosse douce, ou buse d'air comprimé haute pression
- Tournevis Phillips

**Enlever le panneau latéral.** Dévisser le panneau arrivée d'air de traitement/sortie d'air de réactivation. **IMPORTANT :** Le câble du capteur température/HR est fixé à l'intérieur du panneau; il doit être détaché avant de mettre le panneau de côté. Pour retirer le câble, déclipser d'abord la prise, puis glisser le câble vers le bas, hors de son attache. Une fois le câble dégagé, mettre le panneau de côté.

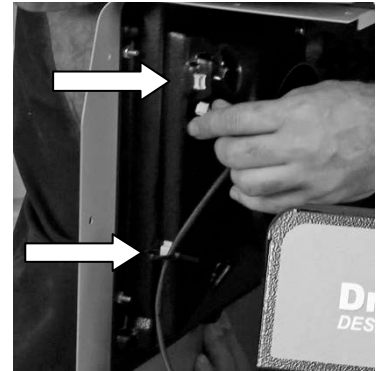
**Examiner et nettoyer le ventilateur.**

Regarder si les pales tournent librement. Nettoyer à l'aspirateur ou avec un chiffon toutes les surfaces.

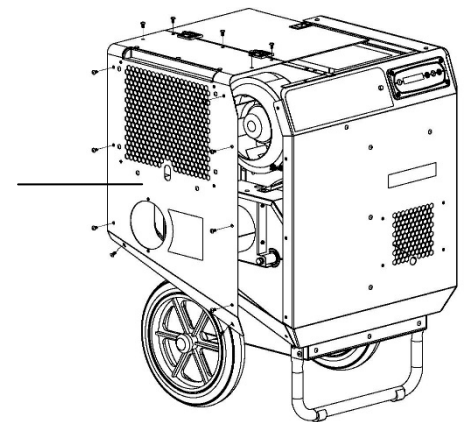
**Fig. D : Vues intérieures**

**IMPORTANT!** Le câble du capteur Temp./HR est attaché à l'intérieur du panneau! Déclipser, puis glisser le câble hors de l'attache avant de mettre le panneau de côté.

Détacher le câble du capteur avant de mettre le panneau de côté. Veiller à remettre le câble lorsqu'on replace le panneau.



**Panneau sortie air réactiv./entrée air traitement.** Déposer ce panneau uniquement pour l'examen et le nettoyage périodiques.

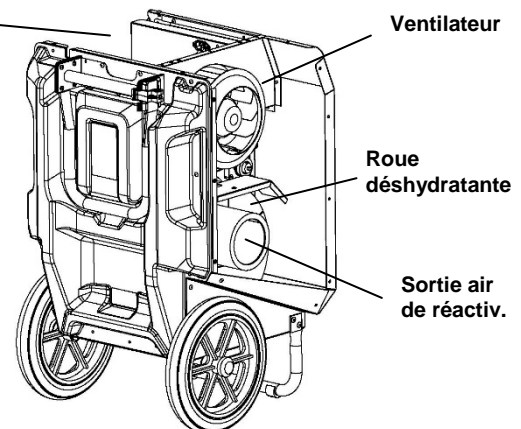


Compartment de rangement. Cordons à l'intérieur.

Ventilateur

Roue déshydratante

Sortie air de réactiv.





### Examiner et nettoyer la roue déshydratante

S'assurer que la roue est libre de poussière et de débris.

Nettoyer la roue à l'aspirateur ou à l'air comprimé.


**Examiner la courroie de la roue.** Vérifier la tension : La courroie ne doit pas fléchir plus de ¼ po (6 mm) sous une pression modérée des doigts (~2 livres-force). Si la courroie fléchit de manière excessive, ou si elle présente des fissures ou une usure excessive, communiquer avec son distributeur local pour obtenir des instructions.

**Passer l'aspirateur à l'intérieur** pour enlever la poussière et les débris. Passer un chiffon sec et propre sur les parois; ne pas utiliser de l'eau ou de solutions de nettoyage. Attention de ne pas endommager les capteurs électroniques et les fils.

**Revisser le panneau latéral.** Rattacher d'abord le câble du capteur à l'intérieur du panneau; glisser le câble vers le haut dans l'attache mono-usage, puis le brancher. Serrer ensuite les vis à la main seulement, depuis les vis supérieures jusqu'aux vis inférieures. Après la bonne mise en place des vis à la main, les serrer à bloc avec un outil manuel. Ne pas serrer outre mesure. Ne pas utiliser un outil électrique pour serrer les vis.

## MESSAGES DU SYSTÈME

Si le système de commande détecte une anomalie, il génère un message d'erreur (« ER »). Dans ce cas-là, débrancher puis rebrancher l'appareil pour commencer. En général, l'électronique sera alors réinitialisée, et l'appareil fonctionnera de nouveau normalement. Si un message d'erreur s'affiche à nouveau, se reporter alors aux explications et aux correctifs ci-dessous. Si ces correctifs ne règlent pas le problème, faire appel à son centre de service autorisé local.

**REMARQUE : Le message PANNE DE COURANT n'indique pas une erreur de système. Lorsque ce message apparaît, il signale que le courant vers l'appareil a été coupé, puis rétabli. Pour effacer ce message, appuyez sur la touche  SÉLECTION DE MENU.**

MESSAGE DU PANNEAU DE COMMANDE	EXPLICATION ET CORRECTIF
ER1 CONTACTER SERVICE TECHNIQUE	Indique une grave anomalie interne. Le panneau de commande électronique devra peut-être être remplacé. Communiquer avec le service technique. Point de consigne de la température d'entrée d'air pour enclencher le conditionneur d'air à la température de contrôle. Vérifier l'alimentation du secteur (basse tension?).
ER2 CONTACTER SERVICE TECHNIQUE	Erreur du panneau de commande électronique. Il faudra peut-être le remplacer. Si l'anomalie persiste, communiquer avec le service technique.
ER3 VÉRIFIER LE MOTEUR DE LA ROUE	La différence, température air de réactivation moins température air d'entrée, est trop grande : arrêt de la roue, causé par une anomalie du moteur d'entraînement ou de la courroie. Vérifier la courroie (tension, rupture), les supports de roue et le fonctionnement du moteur.
ER4 VÉRIFIER L'ÉCOULEMENT D'AIR	L'intensité trop basse du réchauffeur indique une anomalie du ventilateur ou une arrivée d'air obstruée. Déboucher l'entrée d'air ou vérifier le fonctionnement du ventilateur.
ER5 CONNEX. CAPTEUR RÉACTIVATION ou ER5 CONNEX. CAPTEUR TRAITEMENT	Le capteur de température est ouvert, manquant, ou court-circuité. Vérifier la bonne installation du capteur au panneau de commande. Si l'erreur persiste, communiquer avec le service technique.
ER6 CONNEXION CAPTEUR SUR TB	Le capteur de température d'entrée/HR est ouvert, manquant, ou court-circuité. Vérifier la bonne installation du capteur de température d'entrée/HR au panneau de commande et au carénage d'entrée. Si l'erreur persiste, communiquer avec le service technique.

ER7 CONTACTER SERVICE TECHNIQUE	Défaillance du capteur de courant. Si l'erreur persiste, communiquer avec le service technique.
ER8 RÉGLAGE NON VALIDE POUR LE MODÈLE	Réglage incorrect ou non pris en charge du commutateur DIP. Communiquer avec le service technique de Dri-Eaz pour obtenir les bons paramètres DIP.
ER9 TOUCHE COINCÉE TOUTES LES TOUCHES	Une touche est coincée - ou a été laissée enfoncée beaucoup trop longtemps. Communiquer avec le service technique de Dri-Eaz pour un soutien technique/au titre de la garantie.
ER10 CONNEXION SANS FIL SUR TB	La carte de réseau sans fil est tombée en panne, est manquante ou court-circuitée, ou elle est tombée du panneau de commande. Réinstaller la carte de réseau sans fil pour effacer l'erreur. Communiquer avec le service technique de Dri-Eaz pour un soutien technique/au titre de la garantie.

ce le panneau.

## PRÉSENTATION DES FILTRES À HAUTE EFFICACITÉ (HAF) DE 3M™

*Les filtres HAF de 3M favorisent un débit optimal et une rétention supérieure des particules, en plus d'inhiber la croissance microbienne sur les surfaces du filtre. Pour garantir une protection maximale du matériel, des techniciens et du chantier, suivez les directives suivantes pour les filtres HAF :*

**Remplacer le filtre HAF après l'avoir nettoyé à l'aspirateur et réutilisé trois fois.** Les filtres HAF sont en effet moins efficaces après trois utilisations.

**Remplacer le filtre HAF après l'avoir utilisé pour des opérations d'intervention effectuées dans un lieu pollué par des moisissures, ou exposé à des polluants potentiellement dangereux.** L'usage continu d'un filtre pollué risque de propager l'infection.

**Ne pas laver, ni verser de liquide sur le filtre HAF.** L'exposition du filtre à des liquides compromet l'efficacité de la matière électrostatique.

**Ne pas utiliser l'appareil sans le filtre HAF en place.**

**Ne pas utiliser l'appareil avec un autre type de filtre.** Une mauvaise filtration rendra l'appareil moins efficace et risque d

# DÉPANNAGE

ANOMALIE	CAUSE	CORRECTIF
Le voyant de circuits distincts ne s'allume pas.	L'appareil n'est pas branché sur deux circuits distincts. Câblage incorrect dans le bâtiment.	Brancher l'appareil sur deux circuits distincts, chacun d'une intensité nominale d'au moins 15 A. Trouver un second circuit de 15 A dans le bâtiment.
Le disjoncteur saute après quelques minutes de fonctionnement.	Sortie de l'air de réactivation non raccordée à une gaine. La gaine est pliée ou bouchée. La gaine est beaucoup trop longue.	La sortie de l'air de réactivation doit toujours être raccordée à une gaine. Redresser les gaines autant que possible; éliminer les obstructions. La longueur ne doit pas dépasser 20 pi.
L'appareil refuse de fonctionner.	L'appareil n'est pas allumé. Aucune alimentation.	Allumer l'appareil. Vérifier le branchement des cordons électriques à la prise murale et au compartiment supérieur de l'appareil. Vérifier les disjoncteurs protégeant l'alimentation.
L'appareil fonctionne, mais la pièce ne sèche pas.	Temps de séchage insuffisant. Déplacement d'air dans la pièce insuffisant. Infiltration excessive d'air humide.	Augmenter le temps de séchage. Accroître l'évaporation au moyen d'appareils de ventilation. Colmater la zone pour réduire l'infiltration.
L'appareil extrait une quantité d'eau insuffisante.	L'air de la pièce est sec. L'air d'entrée est trop chaud. L'air d'entrée est trop humide. Le filtre est bouché.	Vérifier l'humidité avec un hygromètre. Diminuer la température de l'air d'arrivée. Diminuer l'humidité de l'air d'arrivée. Vérifier le filtre. Nettoyer ou remplacer s'il y a lieu.
<p><i>Si l'anomalie rencontrée n'est pas listée ici, joindre son distributeur local ou communiquer avec notre service technique au numéro sans frais 800-932-3030 pour obtenir une aide supplémentaire.</i></p>		

## FICHE TECHNIQUE

Alimentation	115 V / 60 Hz
Intensité (à 80 °F/60 % HR)	Circuit 1: 12 A Circuit 2 : 12 A
Air de traitement	395 pi <sup>3</sup> /min
Air de réactivation	65 pi <sup>3</sup> /min
Extraction d'eau (à 80 °F/60 % HR)	118 chopines/jour   55,8 L par jour
Poids	95 lb   43,1 kg
Dimensions (L x H x D)	21,14 x 33,13 x 20,25 po (avec poignée à la verticale = 42,250 po) 53,7 x 84,15 x 51,4 cm (avec poignée à la verticale = 107,3 cm.)
Filtre à air	3M HAF
Sécurité	Certifié ETL pour la conformité aux normes CSA pour déshumidificateurs

## PIÈCES INCLUSES

- Collier adaptateur pour la gaine de sortie de l'air de réactivation
- Gaine résistante à la chaleur de 20 pi x 6 po pour la sortie de l'air de réactivation
- Bride de gaine 6 po
- Collier adaptateur de la gaine d'arrivée d'air (facultatif, pose requise)
- Ensemble adaptateur pour gaine sans armature de la sortie de l'air de traitement (facultatif, pose requise)
- Deux cordons électriques, 25 pi chacun

## EN OPTION

Gaine sans armature pour sortie d'air de traitement (F536)

**DE PLUS AMPLES RENSEIGNEMENTS SUR LE PRODUIT** et la documentation courante sont disponibles à <http://DriTec.DriEaz.com>.

**POUR LES PIÈCES ET UN SERVICE APRÈS-VENTE, APPELEZ VOTRE DISTRIBUTEUR LOCAL ou Dri Eaz au 800 932 3030. [www.dri-eaz.com](http://www.dri-eaz.com)**

Visitez [warranty.DriEaz.com](http://warranty.DriEaz.com) et enregistrez votre achat pour vous assurer de recevoir les communiqués importants sur le produit.