

Item No.:	_____	Qty.	_____
Model No.:	_____		
Project No.:	_____		



## Deli Series Sinks

10" Deep Deli Series Three Compartment Stainless Steel Sinks

- 3C10X14-0X**
- 3C12X16-0X**

## Options

- Faucets
- Tub Accessories
- Undershelves
- Rotary Drain Options
- H-Frame Stainless Steel Legs
- Stainless Steel Feet Options (bullet & flange styles)

## Specifications

Deli Series Sink, with three compartments, no drainboards, 9" backsplash, 16 gauge, 300 series stainless steel top and bowl, galvanized legs & adjustable feet, raised 1-1/2" rolled edge, includes 3-1/2" basket strainer, NSF approved

## Features

- 16 Ga. stainless steel
- Welded construction for consistent metal gauge thickness throughout
- 10" (254 mm) deep tubs with 3/4" (19.1 mm) coved radius tub corners
- 9" (229 mm) backsplash with tile ledge for easy installation
- Raised 1-1/2" (38.1 mm) diameter rolled edge
- 3-1/2" (88.9 mm) drain with basket strainers included
- 1-5/8" (41.3 mm) galvanized legs with 1" (25.4 mm) adjustable plastic feet
- 2" (50.8 mm) divider between each tub

## Materials

- Sink & Bowl: 16 Ga. 300 series stainless steel
- Top: Backsplash is 16 gauge 300 series stainless steel.
- Legs: All sinks furnished with 1-5/8" (41.3 mm) diameter heavy gauge galvanized tubing with plated galvanized leg gussets and high impact corrosion resistant fully adjustable 1" (25.4 mm) feet.

## Mechanical

- 1-1/8" (28.6mm) faucet holes on 8" (203.2mm) centers
- 3-1/2" (88.9mm) waste drain opening

## Flyer Product

*In keeping with our policy of continuing product improvement, Elkay SSP reserves the right to change product specifications without notice.*



**AUTOQUOTES**



*This specification describes an Elkay SSP product with design, quality and functional benefits to the user. When making a comparison of other producers' offerings, be certain these features are not overlooked.*

**Elkay SSP**  
 421 N. Freya St.  
 Spokane, WA 99205  
 Phone: 800-726-0553 Fax: 509-535-1493

Website: [www.sspinc.net](http://www.sspinc.net)  
 Email: [sspsales@elkay.com](mailto:sspsales@elkay.com)  
 ©2011 SSP INC.



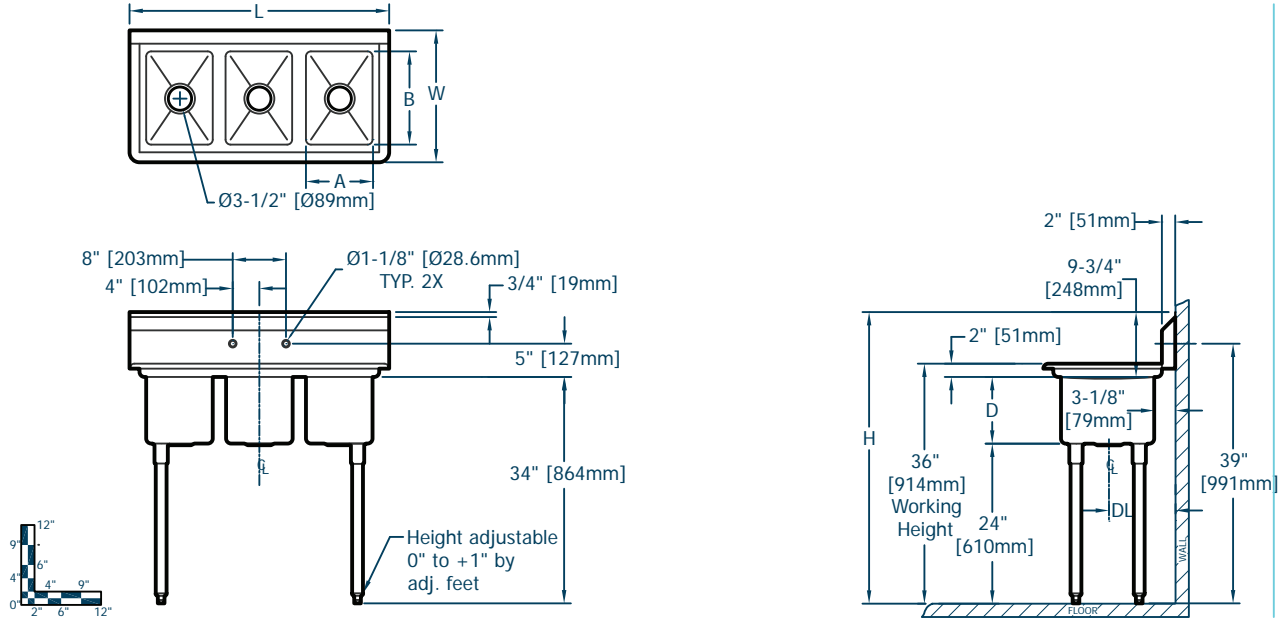
Item No.: \_\_\_\_\_ Qty. \_\_\_\_\_

Model No.: \_\_\_\_\_

Project No.: \_\_\_\_\_

## Deli Series Sinks

10" Deep Deli Series Three Compartment Stainless Steel Sinks



10" Deli Series Sinks																			
Model Number	Bowl Dimensions						Overall Size						Drainboard		Drain Location		Weight		
	Width		Front-to-Back		Depth		Length		Width		Height		Location	Size DB	Location DL	lbs.	kg		
	A	mm	B	mm	D	mm	L	mm	W	mm	H	mm		in.	mm				
3C 10 X 14 0 X	10	254	14	356	10	254	39	991	19.8	503	43.8	1113	No	0	0	10	254	206	93
3C 12 X 16 0 X	12	305	16	406	10	254	45	1143	21.8	554	43.8	1113	No	0	0	11	279	216	98

