

ELKAY® SPECIFICATIONS

The Mystic Single Bowl Sink Models RLRE12FB and RLRE16FB

GENERAL

Highest quality sink formed of #18 (1.2mm) gauge, type 304 (18-8) nickel bearing stainless steel. Top Mount.

DESIGN FEATURES

Bowl Depth: See Chart on next page.

Finish: Exposed surfaces are polished to a Bright Euro Highlighted finish.

Underside: Fully undercoated to reduce condensation and dampen sound.

OTHER

Drain Opening: 3-1/2"(89mm)

Sink complies with ASME A112.19.3-2008 / CSA B45.4-08

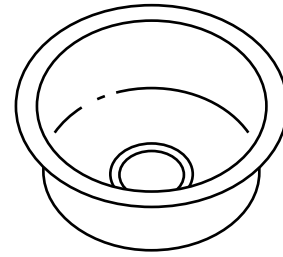
OPTIONAL ACCESSORIES

Bottom Grid: LKWRBG12SS (RLRE12FB)
LKWRBG16SS (RLRE16FB)

Drain: LK99

Rinsing Basket: LKWRB12SS (RLRE12FB)

Utensil Caddy for Rinsing Basket: LKWUCSS

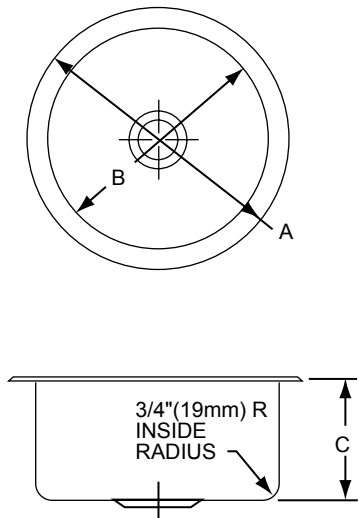


Model RLRE12FB
Model RLRE16FB

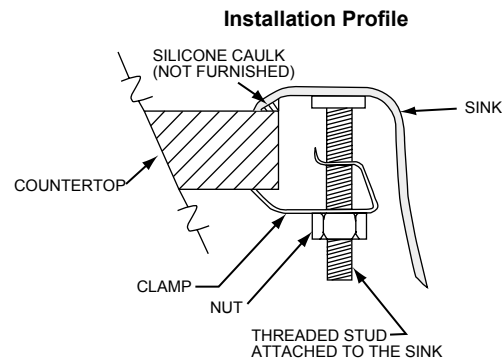
SINK DIMENSIONS*

Model Number	Outside Diameter	Inside Diameter	Depth	Drain Opening	Cutout in Countertop	Minimum Cabinet Size
	A	B	C			
RLRE12FB	14 ³ / ₈ (289mm)	12 (305mm)	6 (152mm)	3 ¹ / ₂ (89mm)	Use sink upside down as template and cut 5/16" INSIDE sink outline.	18 (381mm)
RLRE16FB	18 ³ / ₈ (467mm)	16 (406mm)	8 (203mm)	3 ¹ / ₂ (89mm)		24 (610mm)

*Length is left to right. Width is front to back.



Model RLRE12FB, RLRE16FB Illustrated



In keeping with our policy of continuing product improvement, Elkay reserves the right to change product specifications without notice.

This specification describes an Elkay product with design, quality and functional benefits to the user. When making a comparison of other producers' offerings, be certain these features are not overlooked.