



BEVERAGE-AIR

3779 Champion Blvd., Winston-Salem, NC 27105
1-888-845-9800 Fax# 1-336-245-6453
http://www.Beverage-Air.com

Item No. _____
Quantity _____

BEER EQUIPMENT SLIDING GLASS DOOR BACK BAR REFRIGERATORS BB SLIDING GLASS DOOR SERIES

MODELS:
BB48GSY-1-B
BB58GS-1-B
BB72GSY-1-B

Commercial Refrigeration Equipment General Specification

3 Year Parts/Labor Warranty Additional 2 Year Compressor Warranty

BB GLASS DOOR — BACK BAR REFRIGERATOR WITH SLIDING GLASS DOORS

Back bar storage cabinet with sliding glass doors comes in a basic, self-contained 48", 58", or 72" wide model.

CABINET CONSTRUCTION

Standard, cabinet exterior construction includes attractive, wear resistant vinyl on steel in black finish. Galvanized sub top standard on BB48GSY-1-B and BB72GSY-1-B with optional 2" stainless steel top. 2" stainless steel top standard on BB58GS-1-B. Sliding glass doors are self-closing and includes a stay-open feature and lock.

Standard interior construction utilizes galvanized steel walls and ceiling. Reinforced floor made from heavy-duty stainless steel to provide long lasting service. Interior, fluorescent lighting is standard.

Environmentally friendly foamed-in-place CFC and HCFC-free polyurethane insulation enhances the structural strength of the cabinet and helps increase energy efficiency.

REFRIGERATION

Refrigeration system uses R134a refrigerant, which is CFC and HCFC-free for compliance with environmental safety concerns.

Condensate elimination is automatic and non-electric.

ELECTRICAL

Units are wired at factory and ready for connection to a 115/60/1 phase, 15 amp dedicated outlet. 8' long cord and plug set included.

SPECIAL FEATURES

- Sliding glass doors
- Door lock
- Door hold-open feature
- 2-pane lowE door glass



BB48GSY-1-B



BB58GS-1-B



Available From:

*Note: Not all markings may apply to all model variations.

Model Specified _____	Store# _____
Location _____	Quantity _____



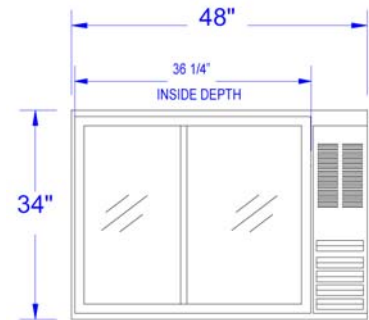
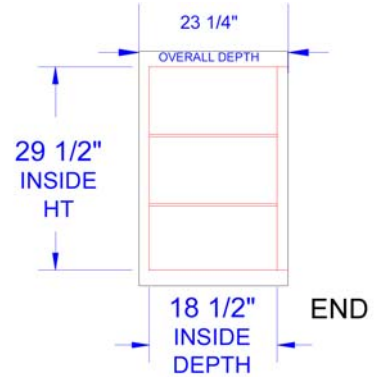
BEVERAGE-AIR

Back Bar Glass Door Refrigerators—Sliding Glass Doors

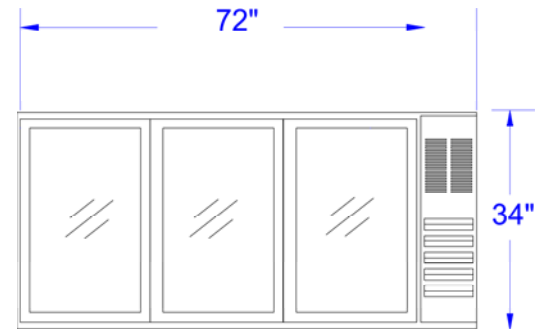
Models: BB48GSY-1-B, BB58GS-1-B, BB72GSY-1-B

MODEL	BB48GSY-1-B	BB58GS-1-B	BB72GSY-1-B
EXTERNAL DIMENSIONAL DATA			
Length Overall (inches)	48"	59"	72"
Length Overall (mm)	1219	1499	1829
Depth Overall (inches)	23 1/4"	28 3/16"	23 1/4"
Depth Overall (mm)	591	716	591
Height Overall—(inches)	34"	37 1/4"	34"
Height Overall—(mm)	864	946	864
Number of doors	2	2	3
INTERNAL DIMENSIONAL DATA			
NET Capacity (cubic ft.)	12.1	23.8	19.4
NET Capacity (Liters)	343	672	549
Internal Length Overall (inches)	36"	55"	60"
Internal Length Overall (mm)	914	1397	1524
Internal Depth Overall (inches)	18 1/2"	23"	18 1/2"
Internal Depth Overall (mm)	470	584	470
Internal Height Overall (inches)	29 1/2"	32"	29 1/2"
Internal Height Overall (mm)	749	813	749
Number of Shelves	4	4	6
Number of Kegs (straight wall)	2	2	3
ELECTRICAL DATA			
Full Load Amperes 115/60/1	5	7.4	5.0
REFRIGERATION DATA			
Horsepower	1/4	1/3	1/4
WEIGHT DATA			
Gross Weight (Crated lbs)	306	382	370
Gross Weight (Crated kg)	139	173	168

PLAN VIEWS



**FRONT
BB48GSY-1-B**



**FRONT
BB72GSY-1-B**



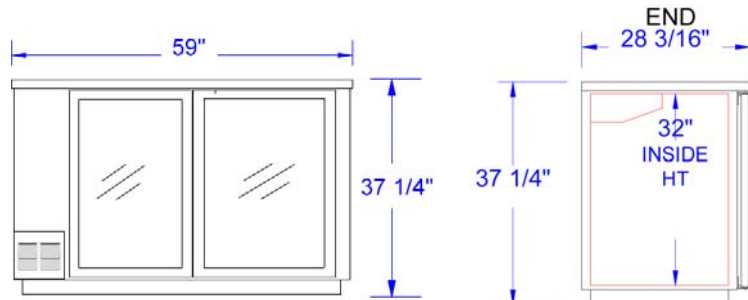
*Note: Not all markings may apply to all model variations.

ELECTRICAL CONNECTION

Units are pre-wired at factory and include 8' long cord and plug set.



115/60/1
NEMA-5-15P



FRONT

BB58GS-1-B

BEVERAGE-AIR® CORPORATION

3779 Champion Blvd. • Winston-Salem, NC 27105 USA • (336) 245-6400 • Fax (336) 245-6453 • (888) 845-9800 • www.beverage-air.com

Specifications are subject to change without prior notice. 04/2013