



# FF590SSH



34.13" x 23.63" x 24.38" (H x W x D)

Frost-free all-refrigerator for built-in or freestanding use, with black cabinet and stainless steel door

### Highlights:

Fully frost-free interior for low maintenance operation

Flexible design allows built-in or freestanding use in 24" wide spaces

Stainless steel wrapped door includes professional handle mounted horizontally for a modern look

5.7 cu.ft. interior includes removable glass shelves and door storage

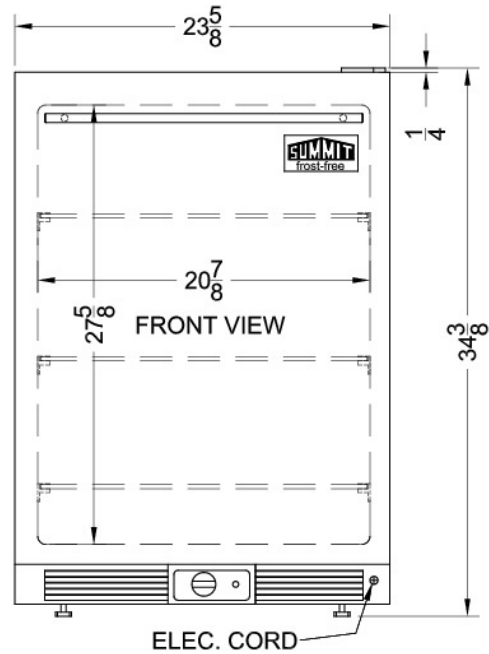
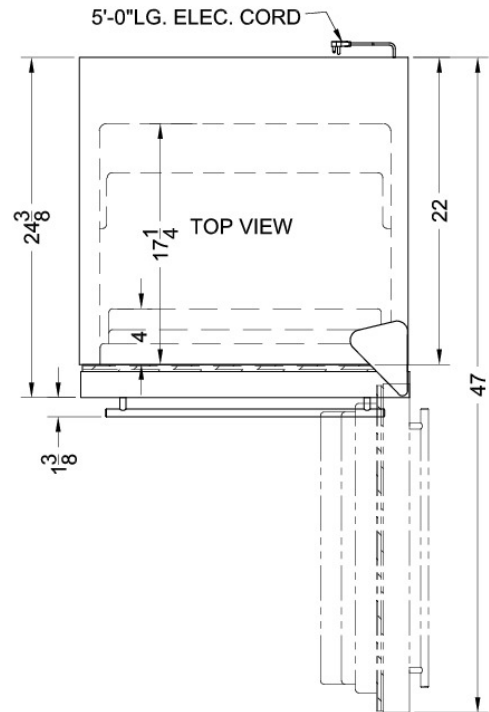
### Product Features:

Frost-free operation	Eliminates the need to manually defrost the 5.7 cu.ft. interior
Built-in capable	Front-breathing design allows fully recessed installation under counters
Fully finished textured black cabinet	Allows the unit to be used freestanding
Stainless steel door	Professional finish offers durability and elegance
Professional horizontal handle	Sleek stainless steel handle is mounted horizontally for a modern look
Removable glass shelves	Spill-proof shelves allow convenient storage
Door storage	3 door racks offer convenient storage
Reversible door	User reversible door swing for added placement flexibility
Adjustable thermostat	Front-located thermostat allows easy temperature management



## FF590SSHH Specifications:

Overview	
Height	34.13"
Height to Hinge Cap	34.38"
Width	23.63"
Depth	24.38"
Depth with Handle	25.5"
Depth with door at 90°	47.0"
Capacity	5.7 cu.ft.
Defrost Type	Frost-Free
Door	Stainless Steel
Cabinet	Black
US Electrical Safety	UL
Canadian Electrical Safety	ULC
Energy Usage/Year	312.0kWh/year
Amps	1.3
Voltage/Frequency	115 V AC/60 Hz
Shipping Weight	100.0 lbs.
Parts & Labor Warranty	1 Year
Compressor Warranty	5 Years
Refrigerator Features	
Door Swing	RHD
Reversible	Yes
Shelf Type	Glass
Shelf Qty	3
Full Door Shelf Qty	3
Thermostat Type	Dial
Fan Type	Interior
Refrigerant Type	R134a
Refrigerant Amount	3.5
High Side PSI	235.0
Low Side PSI	140.0
Interior Light	Yes
Dimensions	
Interior Height	27.63"
Interior Width	21.0"
Interior Depth	17.25"



SUMMIT APPLIANCE DIVISION FELIX STORCH, INC.

770 Garrison Avenue, Bronx, NY 10474 USA TEL 718-893-3900 FAX 844-478-8799

info@summitappliance.com



www.summitappliance.com