



BEVERAGE-AIR

3779 Champion Blvd., Winston-Salem, NC 27105
1-888-845-9800 Fax# 1-336-245-6453
<http://www.Beverage-Air.com>

CUSTOMER'S CHOICE FOR A HOT KITCHEN
Tested & Certified to Ambient Class of 100°F

3 Year Parts/Labor Warranty Additional 2 Year Compressor Warranty

WORKTOP COOK STAND FREEZER

Beverage-Air's cook stand freezers are designed to accommodate countertop cooking equipment and feature a full marine drip-guard to prevent spills from dripping over the edge. WTFCS84 Series models are available in 4 top configurations (84" Width, 89" Width, 96" Width, 108" Width) to provide the flexibility in your workspace. Freezers drawers provide ample food product storage. Working height of 26 3/4" on heavy-duty six-inch (6") casters.

CABINET CONSTRUCTION

Heavy-duty construction with stainless steel on top, front, sides, rear and drip guard top. Interior of cabinet is constructed of corrosion-resistant stainless steel. Drawers are equipped with heavy-duty workflow handle. Cabinet integrity is reinforced by use of structural columns. Cabinets are insulated with foamed-in-place polyurethane insulation of 2" thickness for added strength and maximum energy efficiency. Cabinet back and bottom are constructed of galvanized steel. Interior cabinet is made of corrosion resistant stainless steel.

Exterior solar digital thermometer with battery backup is standard.

DRAWER CONSTRUCTION

Drawer frames are constructed of heavy duty stainless steel and are supported on stainless steel telescoping drawer slides with three stainless steel roller bearing wheels for maximum support of stored food product. Upper pull-out drawers accommodate five 6" deep 12" x 20" pans of combinations of 1/6 size pans or larger. Lower pull-out drawers accommodate five 6" deep 12" x 20" pans or combinations of 1/6 size pans or larger. Heavy duty pan divider supports are supplied. Foodservice pans are not included. A snap in type vinyl magnetic gasket is attached to each drawer for positive seal. Beverage-Air provides standard lifetime warranty on drawers and slides on this series.

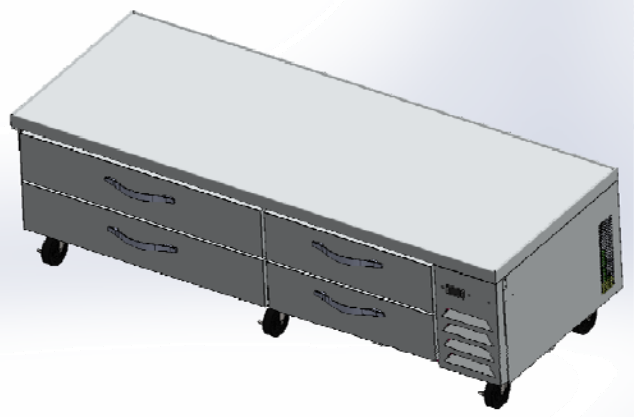
REFRIGERATION

Self-contained refrigeration system utilizes R404a refrigerant metered by a capillary tube system. Automatic (hot gas) condensate evaporation is provided. Interior forced air system, with high humidity evaporator coils, provide the ideal environment for food preservation. Removable front thermometer panel and grille allows for easy access to complete lift-out refrigeration system.

Item No. _____
Quantity _____

**WORKTOP COOK STAND
FREEZERS
4 DRAWER EQUIPMENT BASE
WTFCS84 SERIES**

**MODELS:
WTFCS84-1
WTFCS84-1-89
WTFCS84-1-96
WTFCS84-1-108**



WTFCS84-1

ELECTRICAL CONNECTION

Units pre-wired at factory and include 8.5' long cord and plug set.



Available From:



*Note: Not all markings may apply to all model variations.

Model Specified _____	Store# _____
Location _____	Quantity _____



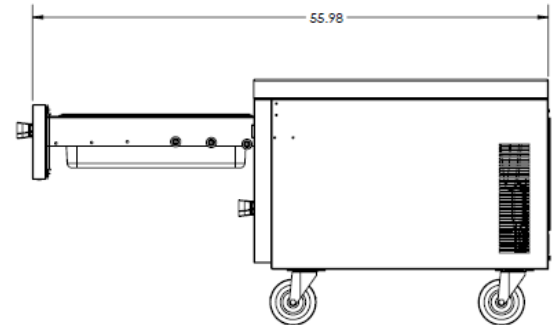
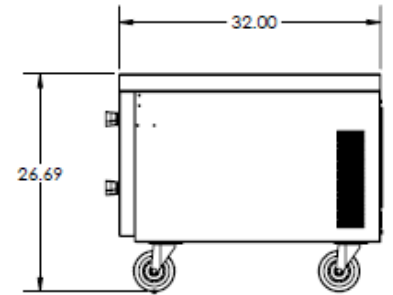
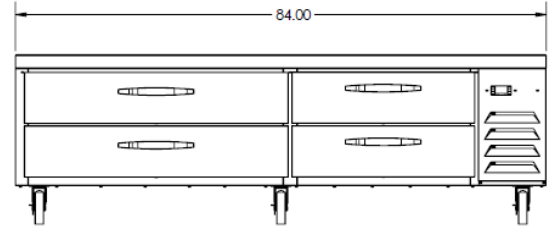
BEVERAGE-AIR

PLAN VIEWS

Worktop Freezer, Cook Stand Model Series

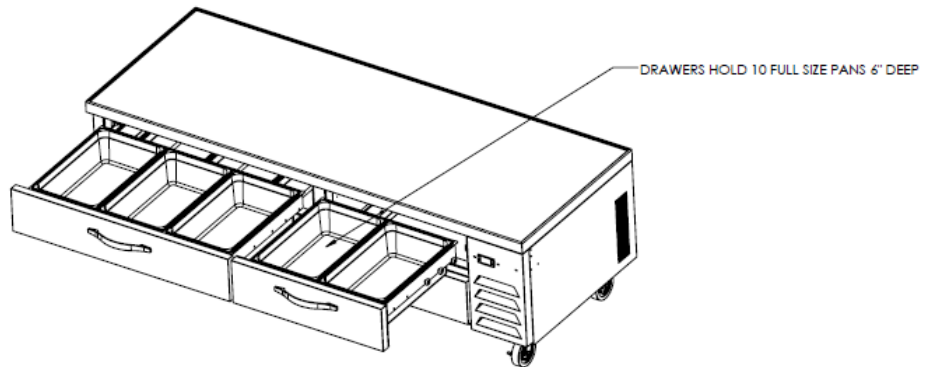
Models: WTFCS84-1, WTFCS84-1-89, WTFCS84-1-96, WTFCS84-1-108

MODEL	WTFCS84-1	WTFCS84-1-89	WTFCS84-1-96	WTFCS84-1-108
EXTERNAL DIMENSIONAL DATA				
Length Overall (inches)	84"	89"	96"	108"
Length Overall (mm)	2134	2261	2438	2743
Depth Overall (inches)	32"	32"	32"	32"
Depth Overall (mm)	813	813	813	813
Height Overall— (inches)	26 3/4"	26 3/4"	26 3/4"	26 3/4"
Height Overall— (mm)	680	680	680	680
Number of drawers	4	4	4	4
Depth with Drawer Open 90 °	55.98	55.98	55.98	55.98
Upper Drawer Pans	5—12" x 20" x 6"	5—12" x 20" x 6"	5—12" x 20" x 6"	5—12" x 20" x 6"
Lower Drawer Pans	5—12" x 20" x 6"	5—12" x 20" x 6"	5—12" x 20" x 6"	5—12" x 20" x 6"
Top Load Rating (lbs)	1000	1000	1000	1000
Top Load Rating (kg)	454	454	454	454
INTERNAL DIMENSIONAL DATA				
NET Capacity (cubic ft.)	17.5	17.5	17.5	17.5
NET Capacity (Liters)	496	496	496	496
ELECTRICAL DATA				
Full Load Amperes 115/60/1	15	15	15	15
REFRIGERATION DATA				
Horsepower	3/4	3/4	3/4	3/4
WEIGHT DATA				
Gross Weight (Crated lbs)	616	616	616	616
Gross Weight (Crated kg)	279	279	279	279



Note: Not all markings may apply to all model variations.

*N/A:: Not available at time of printing.



BEVERAGE-AIR® CORPORATION

3779 Champion Blvd. • Winston-Salem, NC 27105 USA • (336) 245-6400 • Fax (336) 245-6453 • (888) 845-9800 • www.beverage-air.com

Specifications are subject to change without prior notice. 08/15