



DYNA-GLO SUPPORT LEGS

MODEL # WBL100

To be used with all Dyna-Glo
Wall-Heater Models

Installation of Support Legs

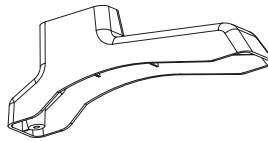
(Cannot be used for garage and ice-house applications)

NOTE: This accessory is required for safe operation when heater is floor mounted.

Before installing Support Legs to heater base, please make sure you have the following items:



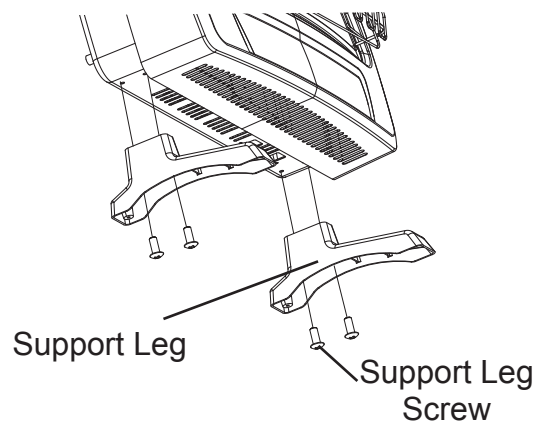
Support Leg Screw
(M4*15) x 4



Support Leg x 2

If any part is missing or damaged, do not attempt to assemble the product. Contact our Technical Service Department at 1-877-477-4768 for replacement parts.

1. Set down a blanket onto the table where the heater will be placed for leg installation to prevent scratching of the table and/or the heater.
2. Set back of heater on table with the bottom of heater extending outside the table edge.
3. Fasten Support Legs to heater using Support Leg Screws.



WARRANTY

If within one year from the date of original purchase, this item fails due to a defect in material or workmanship, we will replace or repair at our option, free of charge. To order parts or to obtain warranty service, call 1-877-447-4768, Monday - Friday, 8:30 a.m. - 4:30 p.m. CST. This warranty does not cover defects resulting from improper or abnormal use, misuse, accident, or alteration. Failure to follow all instructions in the owner's manual will also void this warranty. The manufacturer will not be liable for incidental or consequential damages, or common erosion of outdoor products. Some states do not allow the exclusion or limitation of incidental or consequential damages, so the above limitation may not apply to you. This warranty gives you specific legal rights, and you may also have other rights which vary from state to state.