




**B101006CH**

**Industry Standards**

UL 50, Types 12 & 13  
CSA Certified, Type 12  
NEMA/EEMAC Type 12 & 13  
JIC EL-1-71

 UL Files E6924

 CSA File LL66078

**FEATURES-SPECIFICATIONS**

**Applications**

Intended for use as electrical junction boxes, terminal wiring boxes, and instrument housings. Hinged door provides convenient access. Designed to provide protection from dust, dirt, oil, and water.

**Construction**

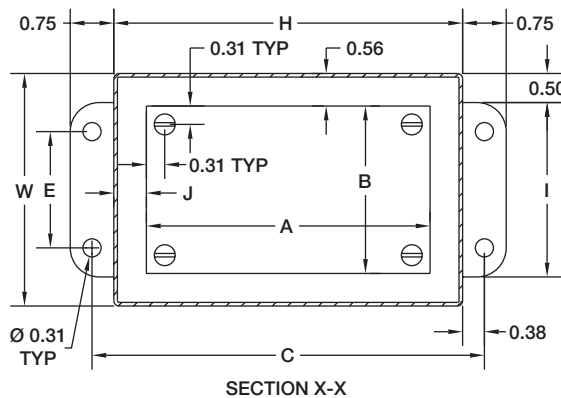
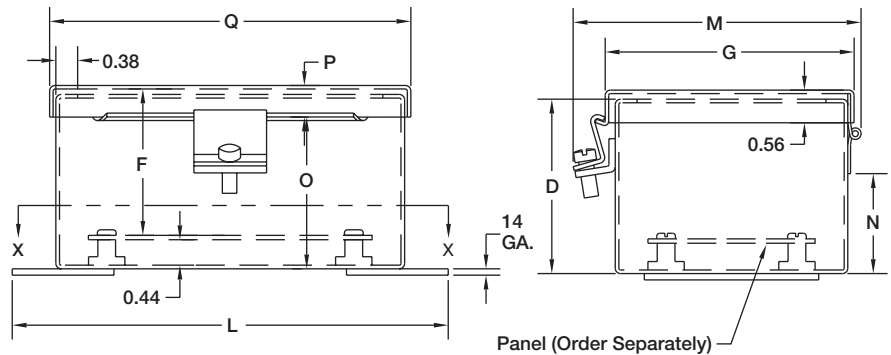
- Bodies and doors fabricated from 16 and 14 gauge steel
- Continuously welded seams ground smooth, less knockouts or holes
- Lids are sealed with closed cell oil resistant neoprene gasket
- External mounting plates, top and bottom of enclosure
- Weldnuts are provided for mounting optional panels securely on models 6.00" x 4.00" and larger
- External screw clamps are quick and easy to operate
- Standard continuous hinge
- Grounding provisions provided

**Finish**

- ANSI-61 gray polyester powder inside and out over phosphatized surfaces
- **Optional** back panels are white polyester powder over phosphatized surfaces

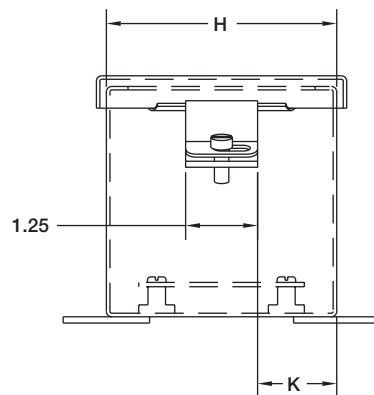
**Accessories**

- Back panels (reference tables)
- See pages J1- J19

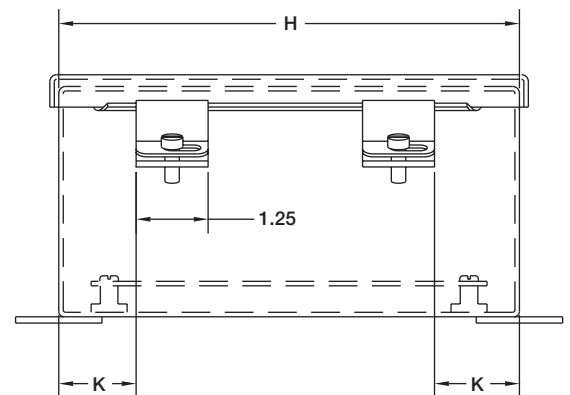


**Notes:**

1. Panels are 14 Ga. steel.
2. Panel Screws are #10-32 Pan Head.
3. Two clamps are used if "H" = 8.00"



**VIEW SHOWING CLAMP POSITION  
WHEN "H" IS LESS THAN 8"**



**VIEW SHOWING CLAMP POSITION  
WHEN "H" EQUALS 8" OR MORE**

**B-CH SERIES ENCLOSURES  
NEMA 12 JIC CONTINUOUS HINGE WALL-MOUNT**

**C5**

<b>B-CH SERIES JIC CONTINUOUS HINGE ENCLOSURES</b>															
CATALOG NUMBER	BODY/DOOR STEEL GAUGE	ENCLOSURE SIZE H X W X D	BACK PANEL CATALOG NUMBER*	BACK PANEL SIZE A X B	MOUNTING C X E	OVERALL L X M	F	G	I	J	K	N	O	P	Q
B040403CH	14/16	4.00x4.00x3.00 (102x102x76)	—	—	4.75x2.00 (121x51)	5.50x5.00 (140x127)	2.53 (76)	4.31 (109)	3.00 (76)	—	1.38 (35)	1.78 (45)	2.53 (64)	0.63 (16)	4.31 (110)
B040404CH	14/16	4.00x4.00x4.00 (102x102x102)	—	—	4.75x2.00 (121x51)	5.50x5.00 (140x127)	3.53 (101)	4.31 (109)	3.00 (76)	—	1.38 (35)	2.78 (71)	3.53 (90)	0.63 (16)	4.31 (110)
B060403CH	14/16	6.00x4.00x3.00 (152x102x76)	P0604	4.88x2.88 (124x73)	6.75x2.00 (171x51)	7.50x5.00 (191x127)	2.53 (76)	4.31 (109)	3.00 (76)	0.56 (14)	2.38 (60)	1.78 (45)	2.53 (64)	0.63 (16)	6.31 (160)
B060404CH	14/16	6.00x4.00x4.00 (152x102x102)	P0604	4.88x2.88 (124x73)	6.75x2.00 (171x51)	7.50x5.00 (191x127)	3.53 (101)	4.31 (109)	3.00 (76)	0.56 (14)	2.38 (60)	2.78 (71)	3.53 (90)	0.63 (16)	6.31 (160)
B060604CH	14/16	6.00x6.00x4.00 (152x152x102)	P0606	4.88x4.88 (124x124)	6.75x4.00 (171x102)	7.50x7.00 (191x178)	3.53 (101)	6.31 (160)	5.00 (127)	0.56 (14)	2.38 (60)	2.78 (71)	3.53 (90)	0.63 (16)	6.31 (160)
B080603CH	14/16	8.00x6.00x3.50 (203x152x89)	P0806	6.88x4.88 (175x124)	8.75x4.00 (222x102)	9.50x7.00 (241x178)	3.03 (88)	6.31 (160)	5.00 (127)	0.56 (14)	1.00 (25)	2.28 (58)	3.03 (77)	0.63 (16)	8.31 (211)
B080606CH	14/16	8.00x6.00x6.00 (203x152x152)	P0806	6.88x4.88 (175x124)	8.75x4.00 (222x102)	9.50x7.00 (241x178)	5.53 (152)	6.31 (160)	5.00 (127)	0.56 (14)	1.00 (25)	4.78 (121)	5.53 (141)	0.63 (16)	8.31 (211)
B080804CH	14/16	8.00x8.00x4.00 (203x203x102)	P0808	6.88x6.88 (175x175)	8.75x6.00 (222x152)	9.50x9.00 (241x229)	3.53 (101)	8.31 (211)	7.00 (178)	0.56 (14)	1.00 (25)	2.78 (71)	3.53 (90)	0.63 (16)	8.31 (211)
B100804CH	14/16	10.00x8.00x4.00 (254x203x102)	P1008	8.88x6.88 (226x175)	10.75x6.00 (273x152)	11.50x9.00 (292x229)	3.53 (101)	8.31 (211)	7.00 (178)	0.56 (14)	1.00 (25)	2.78 (71)	3.53 (90)	0.63 (16)	10.31 (262)
B100804CHS◀	14/16	8.00x10.00x4.00 (203x254x102)	P1008	8.88x6.88 (226x175)	10.75x6.00 (273x152)	11.50x9.00 (292x229)	3.53 (101)	8.31 (211)	7.00 (178)	0.56 (14)	1.00 (25)	2.78 (71)	3.53 (90)	0.63 (16)	10.31 (262)
B100806CH	14/16	10.00x8.00x6.00 (254x203x152)	P1008	8.88x6.88 (226x175)	10.75x6.00 (273x152)	11.50x9.00 (292x229)	5.53 (152)	8.31 (211)	7.00 (178)	0.56 (14)	1.00 (25)	4.78 (121)	5.53 (141)	0.63 (16)	10.31 (262)
B101006CH	14/16	10.00x10.00x6.00 (254x254x152)	P1010	8.88x8.88 (225x225)	10.75x8.00 (273x203)	11.50x11.00 (292x279)	5.53 (152)	10.31 (262)	9.00 (229)	0.56 (14)	1.00 (25)	4.78 (121)	5.53 (141)	0.63 (16)	10.31 (262)
B120604CH	14/16	12.00x6.00x4.00 (305x152x102)	P1206	10.88x4.88 (276x124)	12.75x4.00 (324x102)	13.50x7.00 (343x178)	3.53 (101)	6.31 (160)	5.00 (127)	0.56 (14)	1.00 (25)	2.78 (71)	3.53 (90)	0.63 (16)	12.31 (313)
B121005CH	14/16	10.00x12.00x5.00 (254x305x127)	P1210	10.88x8.88 (276x226)	12.75x8.00 (324x203)	13.50x11.00 (343x279)	4.53 (127)	10.31 (262)	9.00 (229)	0.56 (14)	1.00 (25)	3.78 (96)	4.53 (115)	0.63 (16)	12.31 (313)
B121005CHS◀	14/16	10.00x12.00x5.00 (254x305x127)	P1210	10.88x8.88 (276x226)	12.75x8.00 (324x203)	13.50x11.00 (343x279)	4.53 (127)	10.31 (262)	9.00 (229)	0.56 (14)	1.00 (25)	3.78 (96)	4.53 (115)	0.63 (16)	12.31 (313)
B121008CH	14/16	12.00x10.00x8.00 (305x254x203)	P1210	10.88x8.88 (276x226)	12.75x8.00 (324x203)	13.50x11.00 (343x279)	7.53 (203)	10.31 (262)	9.00 (229)	0.56 (14)	1.00 (25)	6.78 (172)	7.53 (191)	0.63 (16)	12.31 (313)
B121206CH	14/16	12.00x12.00x6.00 (305x305x152)	P1212	10.88x10.88 (276x276)	12.75x10.00 (324x254)	13.50x13.00 (343x330)	5.53 (152)	12.31 (313)	11.00 (279)	0.56 (14)	1.00 (25)	4.78 (121)	5.53 (141)	0.63 (16)	12.31 (313)
B140806CH	14/16	14.00x8.00x6.00 (356x203x152)	P1408	12.88x6.88 (327x175)	14.75x6.00 (375x152)	15.50x9.00 (394x229)	5.53 (152)	8.31 (211)	7.00 (178)	0.56 (14)	1.00 (25)	4.78 (121)	5.53 (141)	0.63 (16)	14.31 (364)
B141206CH	14/16	14.00x12.00x6.00 (356x305x152)	P1412	12.88x10.88 (327x276)	14.75x10.00 (375x254)	15.50x13.00 (394x330)	5.53 (152)	12.31 (313)	11.00 (279)	0.56 (14)	1.00 (25)	4.78 (121)	5.53 (141)	0.63 (16)	14.31 (364)
B141206CHS◀	14/16	12.00x14.00x6.00 (305x356x152)	P1412	12.88x10.88 (327x276)	14.75x10.00 (375x254)	15.50x13.00 (394x330)	5.53 (152)	12.31 (313)	11.00 (279)	0.56 (14)	1.00 (25)	4.78 (121)	5.53 (141)	0.63 (16)	14.31 (364)
B141208CH	14/16	14.00x12.00x8.00 (356x305x203)	P1412	12.88x10.88 (327x276)	14.75x10.00 (375x254)	15.50x13.00 (394x330)	7.53 (203)	12.31 (313)	11.00 (279)	0.56 (14)	1.00 (25)	6.78 (172)	7.53 (191)	0.63 (16)	14.31 (364)
B161006CH	14/16	16.00x10.00x6.00 (406x254x152)	P1610	14.88x8.88 (378x226)	16.75x8.00 (425x203)	17.50x11.00 (445x279)	5.53 (152)	10.31 (262)	9.00 (229)	0.56 (14)	1.00 (25)	4.78 (121)	5.53 (141)	0.63 (16)	16.31 (414)
B161406CH	14/16	16.00x14.00x6.00 (406x356x152)	P1614	14.88x12.88 (378x327)	16.75x12.00 (425x305)	17.50x15.00 (445x381)	5.53 (152)	14.31 (363)	13.00 (330)	0.56 (14)	1.00 (25)	4.78 (121)	5.53 (141)	0.63 (16)	16.31 (414)
B161406CHS◀	14/16	14.00x16.00x6.00 (356x406x152)	P1614	14.88x12.88 (378x327)	16.75x12.00 (425x305)	17.50x15.00 (445x381)	5.53 (152)	14.31 (363)	13.00 (330)	0.56 (14)	1.00 (25)	4.78 (121)	5.53 (141)	0.63 (16)	16.31 (414)
B161408CH	14/16	16.00x14.00x8.00 (406x356x203)	P1614	14.88x12.88 (378x327)	16.75x12.00 (425x305)	17.50x15.00 (445x381)	7.53 (203)	14.31 (363)	13.00 (330)	0.56 (14)	1.00 (25)	6.78 (172)	7.53 (191)	0.63 (16)	16.31 (414)
B161410CH	14/14	16.00x14.00x10.00 (406x356x254)	P1614	14.88x12.88 (378x327)	16.75x12.00 (425x305)	17.50x15.00 (445x381)	9.53 (254)	14.31 (363)	13.00 (330)	0.56 (14)	1.00 (25)	8.78 (223)	9.53 (242)	0.63 (16)	16.31 (414)

◀ NEW PRODUCT IN 2003

\*Back panels must be ordered separately.



**WIEGMANN**

DATA SUBJECT TO CHANGE WITHOUT NOTICE



P0808

**FEATURES-SPECIFICATIONS**

**Description**

- 14 gauge (carbon and stainless)
- White polyester powder finish on steel panels
- Aluminum panels are 5052-H32 aluminum alloy, .080-inch thick
- Panels fit the following enclosures:
  - B
  - BCH
  - BN4
  - BN4CH
  - BN4SS
  - BN4CHSS
  - BN4AL
  - BN4CHAL

BACK PANELS FOR JIC ENCLOSURES			
CATALOG NUMBER			PANEL SIZE A X B
PAINTED STEEL (WHITE)	304 STAINLESS STEEL	ALUMINUM	
P0604	P0604SS	P0604AL	4.88x2.88 (124x73)
P0606	P0606SS	P0606AL	4.88x4.88 (124x124)
P0806	P0806SS	P0806AL	6.88x4.88 (175x124)
P0808	—	—	6.88x6.88 (175x175)
P1008	P1008SS	P1008AL	8.88x6.88 (226x175)
P1010	—	—	8.88x8.88 (226x226)
P1206	—	—	10.88x4.88 (276x124)
P1210	P1210SS	P1210AL	10.88x8.88 (276x226)
P1212	P1212SS	—	10.88x10.88 (276x276)
P1408	—	—	12.88x6.88 (327x175)
P1412	P1412SS	P1412AL	12.88x10.88 (327x276)
P1610	—	—	14.88x8.88 (378x226)
P1614	P1614SS	P1614AL	14.88x12.88 (378x327)

