

DESCRIPTION

The CWC is a wet location, LED based combination exit/emergency light. The combo has an EXIT face-plate and lamp-head shield made of UV stabilized polycarbonate. The housing is made of 5VA flame retardant polycarbonate with a white finish and is fully sealed and gasketed. Includes a die-cast canopy for ceiling or end mount. Combo can also be wall mounted using the universal knock-out pattern in single-face application. Illumination provided by 2 each high power MR-16 based LED's driven at 3.6 watts per head. Knock-out chevrons provide directional indication.

APPLICATION

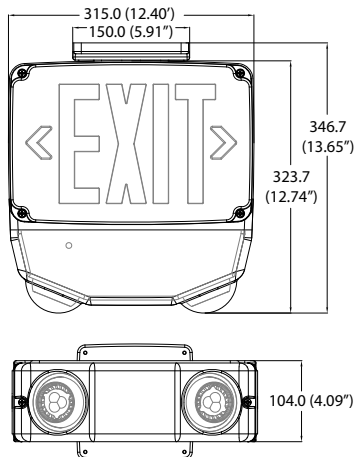
The CWC can be applied in areas that are susceptible to rain and severe moisture, such as parking decks, pools and outdoor commercial applications.

COMPLIANCES

UL924 Listed for Wet Location
NFPA 101 and NFPA 70
OSHA

WARRANTY

2 year full unit warranty



Note:
Photometric files available for download at www.compasslightingproducts.com



FEATURES

- Includes Self-Test/Self-Diagnostics
- LED life-cycle of more than 10 years
- Fully Adjustable lamp-heads
- Quick installation
- 120/277VAC input
- Includes long-life 6VDC Nickel Cadmium battery
- Full re-charge within 24 hours
- Provided with magnetic test switch and AC-On indicator
- UL924 Wet Location Listed, 0C° to 50°C Standard Model, -20°C to 50°C with CT, "Cold Temperature" option

INPUT POWER REQUIREMENTS

	Input Watts (W)		Input Amps (A)	
	120V	277V	120V	277V
CWC1RW	5.2	5.2	0.05	0.022
CWC2RW	5.2	5.2	0.05	0.022
CWC1GW	5.2	5.1	0.05	0.021
CWC2GW	5.2	5.1	0.05	0.021
CWC1RW-CT	33.6	147.2	0.288	0.536
CWC2RW-CT	33.6	147.2	0.288	0.536
CWC1GW-CT	33.6	147.1	0.288	0.536
CWC2GW-CT	33.6	147.1	0.288	0.536

Single Carton Weight: 8.0 lbs.
Master Carton Quantity: 4 each

ORDERING GUIDE

Catalog Number	Description
CWC1RW	Single Face, Red Letters
CWC2RW	Double Face, Red Letters
CWC1GW	Single Face, Green Letters
CWC2GW	Double Face, Green Letters
CWC1RW-CT	Single Face, Red Letters, Cold Temperature Operation
CWC2RW-CT	Double Face, Red Letters, Cold Temperature Operation
CWC1GW-CT	Single Face, Green Letters, Cold Temperature Operation
CWC2GW-CT	Double Face, Green Letters, Cold Temperature Operation