



EV4R Series

Recessed Ceiling Mount LED Emergency Light

FEATURES

Application

The EV4R Series is a ceiling mounted, recessed emergency light with superior emergency lighting coverage. The EV4R provides 90 minutes of emergency illumination when primary power is lost. The EV4R Series has a flame-rated, UV stable thermoplastic housing and choice of round or square trim-plate in white or black finish. The 4 LEDs are housed within an aluminum heat-sink and adjustable optic assembly. Each LED is driven at 1 watt each. Includes micro-controlled pulse charger and nickel metal hydride (NiMH) battery. The EV accepts 120/277VAC input at 50 or 60 Hz. Unit can be applied at 220-240VAC input without self-diagnostic option.

Construction

The EV4R housing and trim-plate is made of flame-rated, UV stable thermoplastic with a lightly textured white or black finish. Each LED is housed in an aluminum heat-sink. Adjustable optic assembly is made of ABS thermoplastic. LED lens are made of acrylic. Includes a steel back-box and caddy-bar assembly.

Installation

The EV4R includes a round or square trim-plate with a rough-in template for back-box installation. Includes a caddy bar assembly for mounting within a T-Grid ceiling. Conduit entry through knock-outs in the back-box. Pre-stripped AC input leads provided. Unit designed for ceiling mount only.

Illumination

The EV Series provides bright and uniform illumination and increased spacing by using 4 high power LEDs which are mounted in an adjustable optic assembly in 2 pairs. Adjustability is based on mounting height for optimal light pattern. LED's are driven at 1 watt each for 88 lumens per LED.

Photometrics are available for download at www.dual-lite.com.

Compliances

Listed to UL924 Standard, NFPA 101 and NFPA 70
Damp Location Listed
IC Rated

Warranty

LED Lifetime Warranty
EV4R Full 3 Year Warranty
EV4R with Spectron® Full 5 Year Warranty

| | |
|----------------|------|
| Catalog Number | |
| Comments | Date |



Round or Rectangle Trim-Plates

ORDERING GUIDE



- Notes:
1. Each model includes round or square trim-plate
 2. Each model is damp listed
 3. Not for 220-240VAC input





EV4R Series

Recessed Ceiling Mount LED Emergency Light

SPECIFICATIONS

Electronics

Upon failure of normal utility power, a solid-state transfer switch automatically activates the emergency LED lamp-heads. Upon resumption of normal utility power, the battery is disconnected from the load and recharged through a microprocessor controlled pulse charger. The battery is a maintenance-free Nickel Metal Hydride (NiMH) type. The EV4R series accepts dual-voltage input of 120 or 277VAC at 50 or 60 Hz. Unit can be applied at 220-240VAC input at 50-60 Hz. without the self-diagnostic option. A low voltage battery disconnect (LVD) feature protects the battery from severe damage during prolonged power failures. Manual testing is available at any time using the push-to-test button.

Number of Lamps- 4 High Power LEDs at 1 watt each configured so that if 1 lamp malfunctions, the remaining lamp will continue to provide illumination.

Lamp Color: Cool White

Total Lamp Output: 1W, 88 Lumens per LED

System Efficacy: 80 lm/W

Rated LED Lifecycle: Greater than 100,000 hours

Standard Features:

- Intelligent 2-wire input connection
- External push-to-test switch and AC-on indicator
- Battery re-charge within 24 hours
- AC Lock-out circuit
- Low voltage disconnect
- Conduit entry knock-out located at the top center
- Microprocessor controlled pulse charger

Optional Spectron® Features:

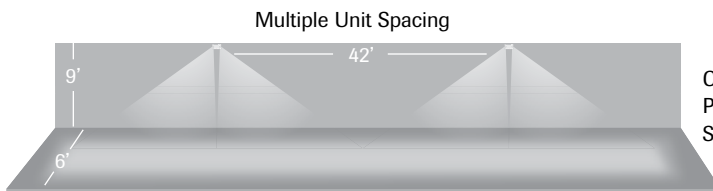
- Self-diagnostics monitors LED status, LED load transfer circuit, battery capacity and charger function and displays any fault detection by means of a flashing code
- Self-Test feature automatically runs a 1 minute test once a month and an alternating 30 or 60 minute test once every 6 months. Multi-color LED indicator provides visible fault detection and charging status
- User initiated 1 or 90-minute system test feature
- 15 minute re-transfer delay
- Automatic unit transfer in brown-out conditions (below 80% of nominal AC input voltage)

Operating Temperature Range:

Damp Listed: 50° to 104°F (10° to 40°C)

Weight: 3.0 lbs

APPLICATION INFORMATION



Ceiling Height: 9'
Path Width: 6'
Spacing: 42'

Meets Life Safety Code minimum illuminance of 0.1 fc and average illuminance of 1.0 fc. Assumes open space with no obstructions, ceiling height of 9' and reflectances of 80/50/20. Photometry files available on the Dual-Lite web site (www.dual-lite.com).

Photometric file reference:
Position 1- 9' Mounting Height
Position 2- 10' Mounting Height
Position 3- 11' Mounting Height
Position 4- 12' Mounting Height

Refer to Instruction Sheet for lamp-head position at installation to maximize spacing

Web: www.dual-lite.com • Tech Support: (866)-313-3909
701 Millennium Blvd. • Greenville, SC 29607 U.S.A.
Copyright © Dual-Lite, a division of Hubbell Lighting, Inc., All Rights Reserved
Specifications subject to change without notice. • Printed in U.S.A.

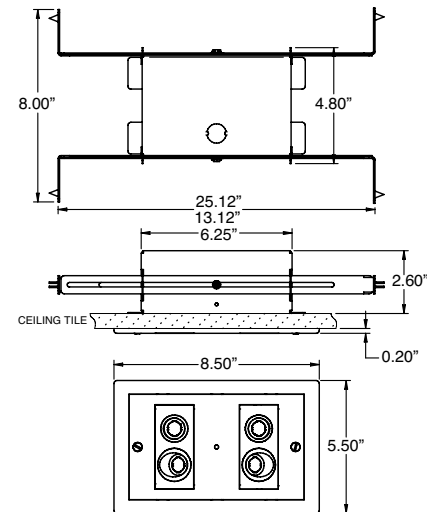
MAXIMUM POWER CONSUMPTION

| | AC Voltage | Hz. | Amps. | Max. Watts | Power Factor |
|------|------------|-----|-------|------------|--------------|
| EV4R | 120 | 60 | 0.022 | 2.00 | 0.73 |
| | 240 | 60 | 0.015 | 2.51 | 0.65 |
| | 277 | 60 | 0.014 | 2.75 | 0.63 |

The EV Series meets proposed California Energy Commission (CEC) requirements for limits on power consumption in maintenance mode with less than 0.5 watts.

DIMENSIONS

Rectangle



Round

