

- Made from anti-bacterial Solidsan®;
- ADA-compliant & TAS Compliant;
- 5 year warranty on material, 3 year warranty on components.

SL2A – Two user Streamlav TECHNICAL INFORMATION

Material & Construction

The countertop is made from anti-microbial Solidsan®. Solidsan® is a composite material of acrylic polyester polymer resins and aluminum trihydrate fillers. The material is resistant to stains and burns and complies with ANSI Z124.3. Solidsan® cleans easily with Scotchbrite®, household cleaners or fine grit sandpaper. Solidsan® is available in 16 colors.

The Streamlav includes heavy gauge steel support powder coated support brackets.

The Streamlav is supplied with a chromed 1 ½”brass grid strainer.

Anti-microbial

The Solidsan® bowl and sides are manufactured with an anti-microbial agent. The agent is present both on the surface and on the inside of the material and will not dissipate or scratch off. In contact with moisture, anti-microbial ions will be released and effectively kill bacteria.



Activation & water distribution

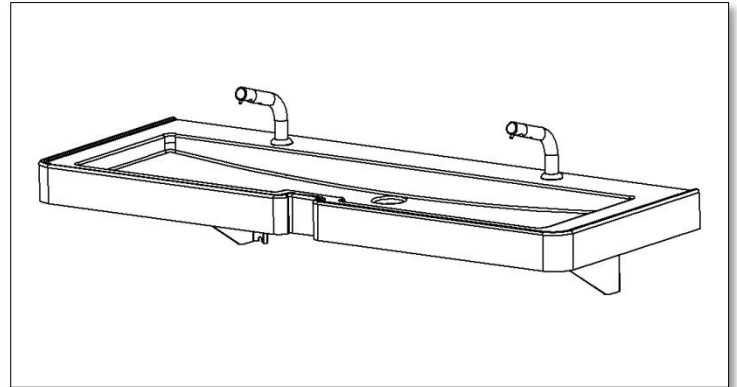
The Streamlav is available with different faucet options. It is available as a certified lead-free unit when supplied with the Santronic® or Wavetronic® faucets.

It is also available with Intersan’s Line 4 or Line 5 faucets.

Standard Equipment: One-piece bowl in anti-bacterial solid surface material, solid surface side covers, stainless steel mounting frame and skirts, and tail piece. When supplied with Intersan’s faucets the unit is also comes standard with a single supply manifold and batteries for the faucets.

Optional Equipment:

The Streamlav can be supplied with any of Intersan’s faucets or can be drilled for faucets by others.



LEED Compliance

When supplied with Intersan’s faucets, The Streamlav contributes to meeting LEED requirements in the following categories:



WEp1 - Water Efficiency

WEc3 - Water Use Reduction

Each nozzle has a flow rate of 0.5 gpm. The water cycle for the pushbutton operated units lasts 10 seconds which means that 0.083 gallons of water is used per cycle.

Accessibility



Standard Height: The Streamlav is designed to meet all ADA and TAS guidelines when mounted at the standard rim height of 34”.

Juvenile Height: The Streamlav complies with ADA and TAS guidelines for the various juvenile categories when mounted at the proper rim height.

Installer needs to provide anti-scald protection for the P-trap

Drain size is 1 ½”

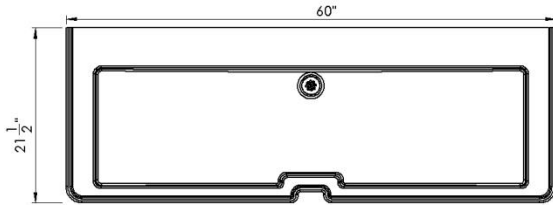
Warranty: 5 years limited warranty on material and 3 years limited warranty on components.

SAMPLE SPECIFICATION

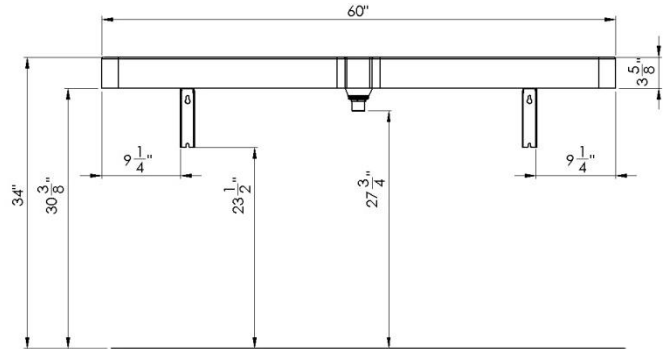
Fixture shall be Intersan Streamlav 2-user hand wash station. Countertop is made from anti-microbial solid surface.

The unit is furnished with a *Santronic/Wavetronic/Line4/Line5 faucet*.

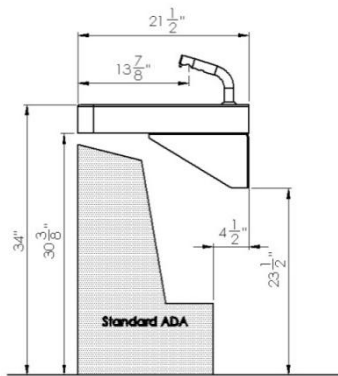
Top View



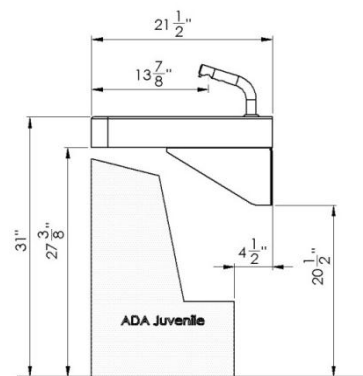
Front View



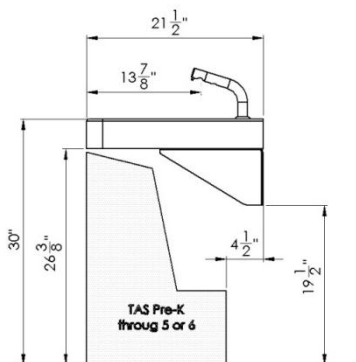
Side View Standard Height



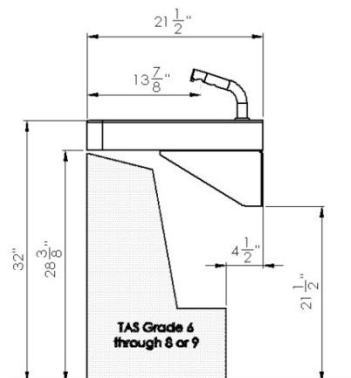
Side View Juvenile Height Ages 6-12



Side View TAS Height Grades Pre-K Through 5 or 6



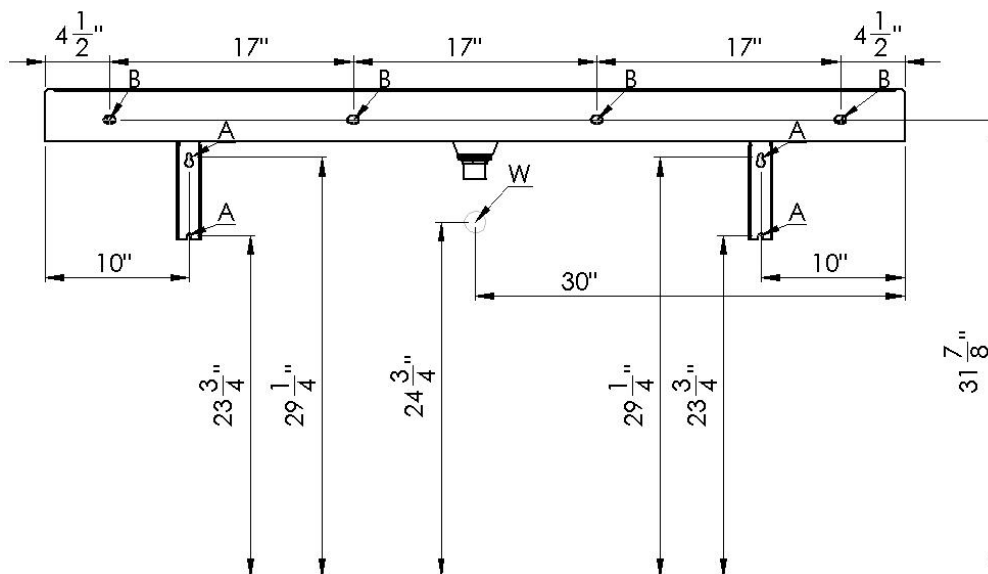
Side View TAS Height Grades 6 through 8 or 9



SL2A-series Streamlav - Two user lavatory system



Rough-in Dimensions



| Code | Description |
|------|------------------|
| A | 3/8" Anchors |
| B | 3/8" Anchors |
| W | 1 1/2" NPT Drain |

Height Adjustments

| Standard | Rim Height | Adjustment of height for A, B, C, H, R & W |
|----------------------------------|------------|--|
| ADA & TAS Adult | 34" | None |
| ADA Juvenile, Ages 6 - 12 | 31" | Subtract 3" from height in drawing |
| TAS, Grades 6 through 8 or 9 | 32" | Subtract 2" from height in drawing |
| TAS, Pre-K through Grades 5 or 6 | 30" | Subtract 4" from height in drawing |

Base Model Number (must specify)

- SL2A Two user Streamlav

Operation (must specify):

- TRS Standard Santronic® faucet
 -TRSP Standard Santronic® piezo faucet
 -TRSC Standard Santronic® Stainless faucet
 -WVT Wavetronic® faucet
 -L4S1 Line 4 faucet with tempered water
 -L4S2 Line 4 faucet with temperature control
 -L5 Line 5 faucet
 -CS Drilled for center set faucets
 -4 Drilled for 4" center faucets (2 holes)
 -8 Drilled for 8" center faucets (2 holes)
 -ND No Drilling

Supply (for units with Intersan faucets only):

- 1 Tempered or cold water
 -2 Thermostatic mixing valve (hot & cold water)

Colors (must specify):**Standard Colors:**

- AB Adobe brown
 -AW Ash white
 -BW Bone White
 -CG Country Green
 -DS Desert sand
 -MB Midnight blue
 -MG Misty grey
 -PB Pearl black
 -TG Twilight grey

Designer Colors:

- BW Birch Wood
 -CB Canyon Brown
 -CC Chocolate Chip
 -GW Glacier White
 -NB Neptune Blue
 -OW Oyster White
 -RR River Rock

Soap (for units with Intersan TR & WVT faucets only):

- No soap
 -L Integral liquid soap for Santronic or Wavetronic faucets

Other Options (for units with Intersan faucets only):

- HW Low voltage class II transformer with plug (1 per faucet)*
 -0.35L 0.35 gpm nozzle
 -2L 2.0 gpm laminar nozzle
 -1.5L 1.5 gpm laminar nozzle

* Not available for piezo faucets