



# J&D Manufacturing



LEADERS IN MOVING THE WORLD'S AIR

## PSC Inflation Blowers & Brackets

New energy efficient PSC Inflation Blowers from J&D Manufacturing are designed to inflate double poly greenhouses for greater insulation capabilities. All models have adjustable damper doors to regulate air flow as the poly expands. J&D Inflation Blowers have a heavy gauge steel housing and forward curve metal wheel that is balanced for smooth operation. Oversized mounting holes on the discharge flange fit most industry standard brackets.

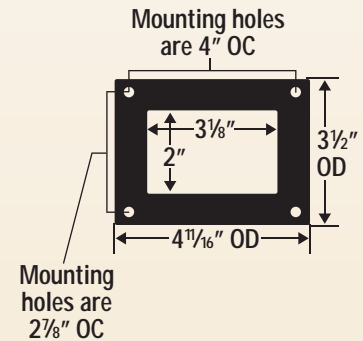
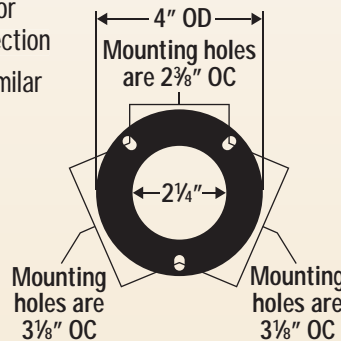


VBM60PSC-P

VBM148PSC-P

### Features

- New! Permanent split capacitor, energy efficient, Class B motor with sealed ball bearings and automatic thermal overload protection
- PSC motor draws 50% less power and 70% less amps than similar shaded-pole blowers
- Heavy gauge steel housing with baked black enamel finish
- Adjustable air flow damper
- Forward curve metal blower wheel – NO PLASTIC!
- Fully enclosed wires and connections
- Dynamically balanced to reduce noise and vibration
- CorkRubber seal between motor and blower for smooth operation
- Junction box with cord knock out for easy wiring
- Brass set screw for ground wire
- Fits most industry standard mounts
- Available with 6' cord and 3-prong plug pre-wired for 120 Volts
- Ships fully assembled and individually packaged
- **One Year Warranty**



VMBRKT-RND



VMBRKT-SQ

Part#	Description	HP	Volts	Amp	Hz	Phs	RPM	CFM	Cord
<b>Blowers</b>									
VBM60PSC-P	Blower Motor, PSC, Round Mounting Flange, with Damper	1/60	120	0.15	60	1	3,200	60	No
VBM148PSC-P	Blower Motor, PSC, Square Mounting Flange, with Damper	1/30	120	0.50	60	1	3,200	148	No
<b>Blowers with Cords</b>									
VBM60PSC-PC	Blower Motor, PSC, Round Mounting Flange, with Damper and Cord	1/60	120	0.15	60	1	3,200	60	6'
VBM148PSC-PC	Blower Motor, PSC, Square Mounting Flange, with Damper and Cord	1/30	120	0.50	60	1	3,200	148	6'
<b>Brackets</b>									
VMBRKT-RND	Bracket, Blower, Round Mounting Flange, with Deflector								
VMBRKT-SQ	Bracket, Blower, Square Mounting Flange, with Deflector								