

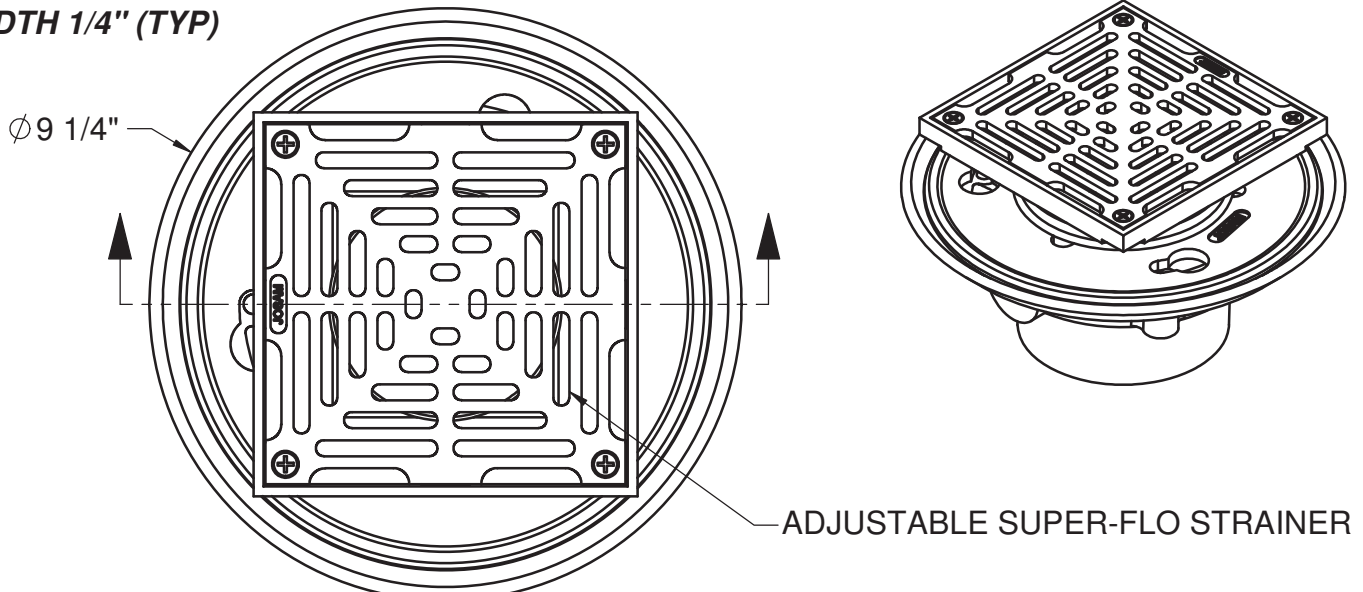
**SPECIFICATION:**

JOSAM SERIES 30000-S CAST IRON FLOOR DRAIN, TWO-PIECE BODY WITH DOUBLE DRAINAGE FLANGE AND 1/2" PRIMER TAP, WEJLOC® INVERTIBLE FLASHING COLLAR, WEEPHOLES, BOTTOM OUTLET CONNECTION AND NIKALOY ADJUSTABLE SQUARE SUPER-FLO® STRAINER.

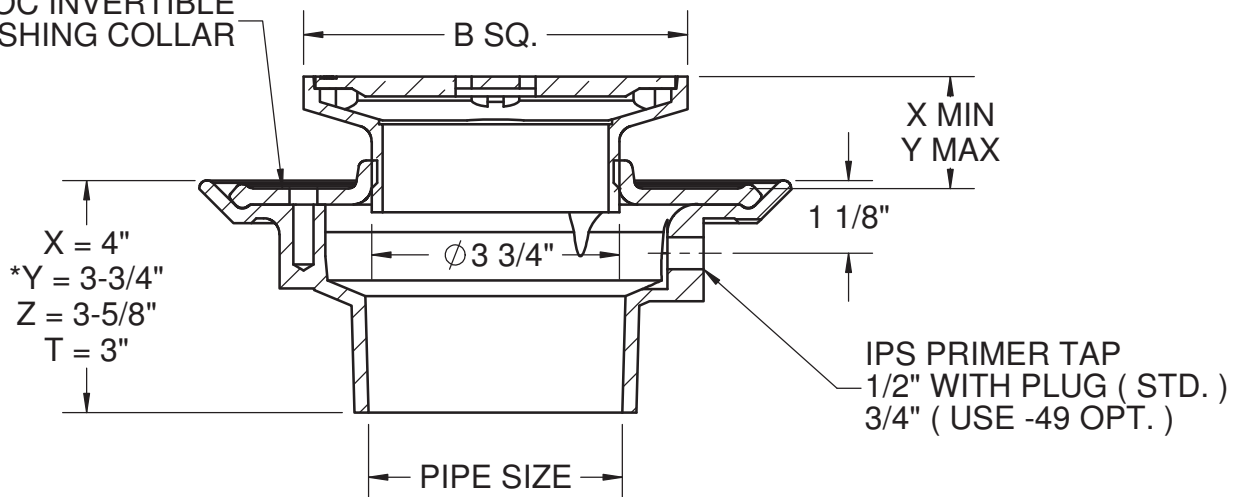
**FLOOR DRAIN  
ADJUSTABLE STRAINER**

SERIES **30000-S**

**SLOT WIDTH 1/4" (TYP)**



WEJLOC INVERTIBLE FLASHING COLLAR



X = 4"  
\*Y = 3-3/4"  
Z = 3-5/8"  
T = 3"

IPS PRIMER TAP  
1/2" WITH PLUG ( STD. )  
3/4" ( USE -49 OPT. )

	STRAINER	B	X	Y	FREE AREA
	-5S	5	7/8	1-7/8	9.1
	-6S	6	7/8	2-1/4	13.8
	-8S	8	1-1/4	2-1/2	24.5

\*GASKET ON -Y CONNECTION CONFORMS WITH ASTM-C564

	2"	PIPE SIZE		-80	PERFORATED STAINLESS STEEL BASKET
	3"	PIPE SIZE		-SS	STAINLESS STEEL TOP
	4"	PIPE SIZE		-2	BRONZE ADJUSTABLE STRAINER
	-TSO	THREADED SIDE OUTLET		-CP	CHROME PLATED STRAINER
	-WT	WITH TRAP		-J	BACKWATER VALVE
	-PD	PRISON DRAIN		-VP	SECURED GRATE, VANDAL-PROOF SCREWS
	-ARE	ACID-RESISTING EPOXY		-T	THREADED OUTLET
	-49	3/4" PRIMER TAP		-X	INSIDE CAULK OUTLET
	-91	ROUGH BRONZE BODY		-Y	HUB OUTLET WITH GASKET*
	-92	GALVANIZED CAST IRON PARTS		-Z	NO-HUB SPIGOT OUTLET

DATE OF LAST CHANGE: 04/24/15

DIMENSIONS ARE SUBJECT TO MANUFACTURERS TOLERANCES AND CHANGE WITHOUT NOTICE. WE CAN ASSUME NO RESPONSIBILITY FOR USE OF SUPERSEDED OR VOID DATA.

**JOSAM COMPANY**  
MICHIGAN CITY, INDIANA

NOTES