

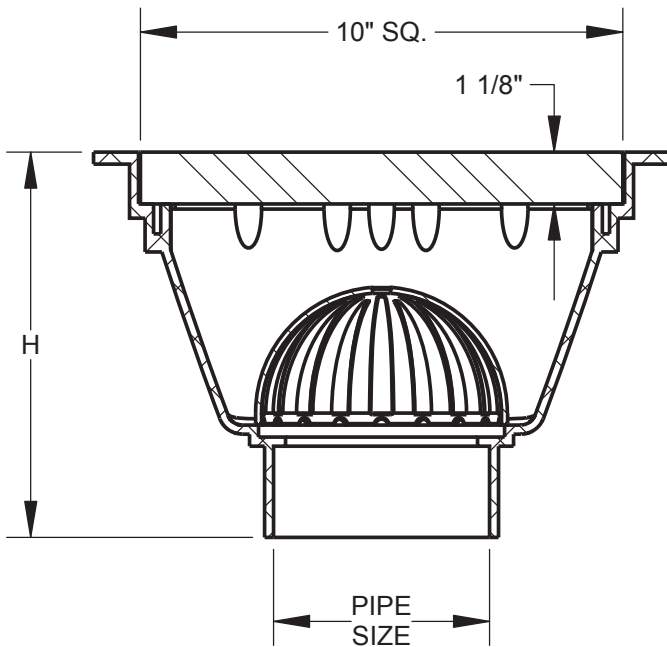
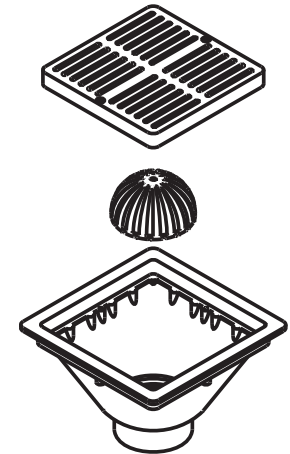
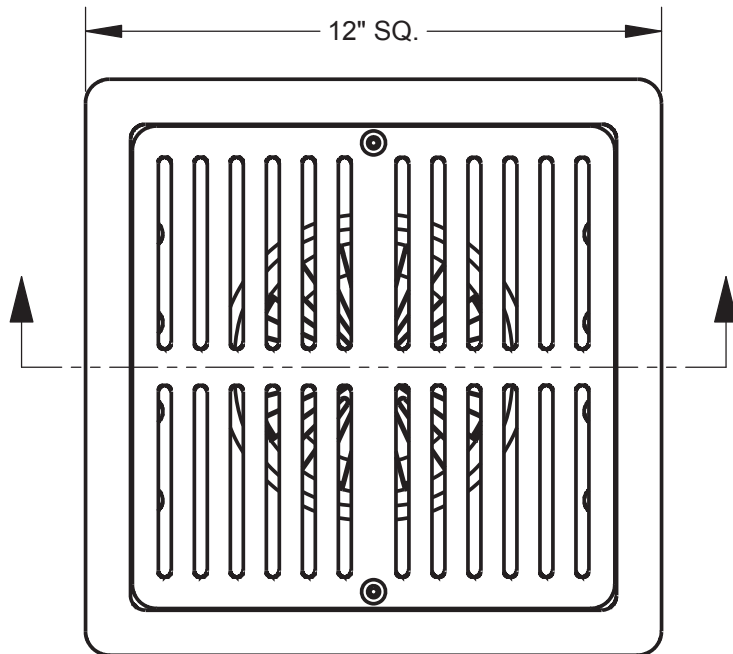
**SPECIFICATION:**

JOSAM SERIES FS-940 FLOOR DRAIN/SINK, 12 X 12 TOP WITH FULL PVC MEDIUM-DUTY GRATE, ALUMINUM DOME AND SOLVENT WELD BOTTOM OUTLET FOR SCHEDULE 40 PVC PIPE.

**FLOOR DRAIN/SINK  
PVC**

SERIES

**FS-940**



MODEL NO.	PIPE SIZE	H
FS-942	2"	6-7/8"
FS-943	3"	7-5/8"
FS-944	4"	7-7/8"

OPTIONS:

-LG	LESS GRATE
-HG	HALF GRATE
-3Q	3/4 GRATE

DATE OF LAST CHANGE: 09/07/12

DIMENSIONS ARE SUBJECT TO MANUFACTURERS TOLERANCES AND CHANGE WITHOUT NOTICE. WE CAN ASSUME NO RESPONSIBILITY FOR USE OF SUPERSEDED OR VOID DATA.

**JOSAM COMPANY**  
MICHIGAN CITY, INDIANA

NOTES