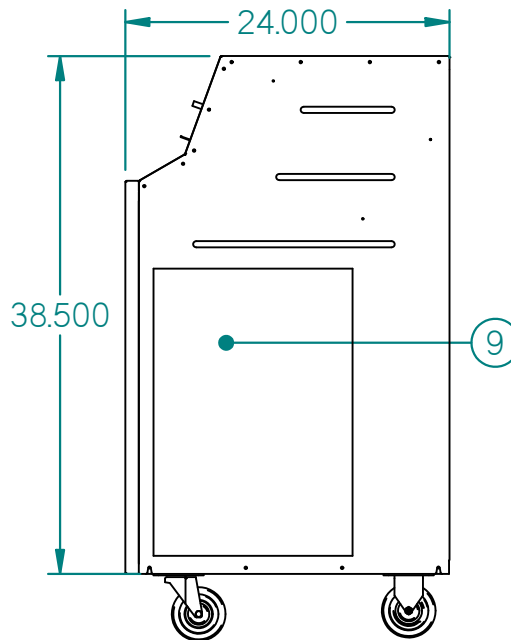
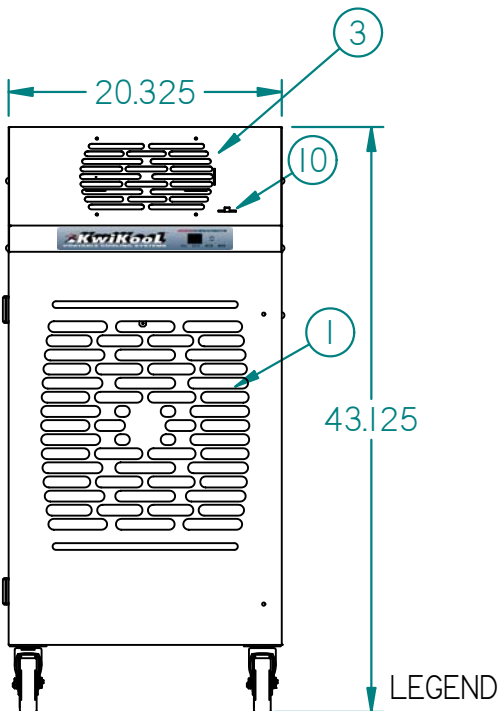
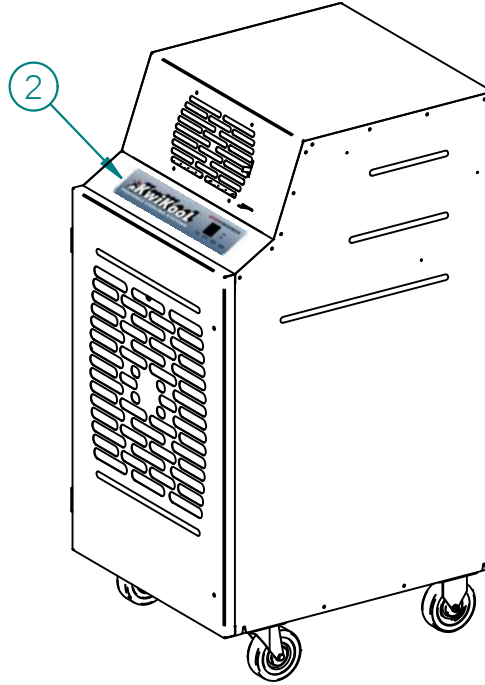
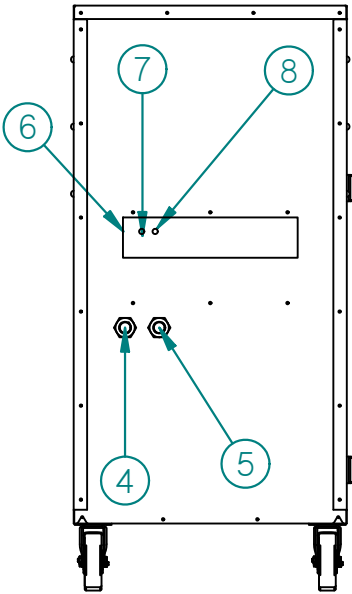


KWIB2411



- 1 Cold Air Return
- 2 Control Pad
- 3 Cold Air Supply
- 4 Water Inlet - 0.5" NPT
- 5 Water Outlet - 0.5 NPT

- 6 Power Cord
- 7 Condensate Nipple
- 8 Condensate Alarm Jack
- 9 Access Door
- 10 Vent Control



SPECIFICATIONS

KWIB2411 - 2 Ton

| COOLING CAPACITY | | |
|--------------------|----------------------------------|--------------------------|
| | BTU/hr @ 95F at 60% RH | 23,500 (2 Tons) |
| COMPRESSOR DATA | | |
| | Compressor Type | Hermetic Recip. |
| | Operating Temperatures | 60-110 F 50%RH |
| | Refrigerant | 407C |
| FAN DATA | | |
| Evaporator | | |
| | Fan Type (Centrifugal) | Direct Drive |
| | Air Flow (CFM) | 750/Single Speed |
| | Supply Air Device | Adjustable Vent |
| | Supply Air Chute Kit (optional) | 2 - 6" Dia. x 15" Length |
| Water Flow Data | | |
| | Flow Regulation Valve - 0.5" NPT | Automatic |
| | Inlet Water 85F-95F Exit (GPM) | 6 |
| | Inlet Water 75F-95F Exit (GPM) | 3 |
| | Inlet Water 65F-95F Exit (GPM) | 2 |
| | Inlet Water 55F-95F Exit (GPM) | 1.5 |
| ELECTRICAL DATA | | |
| | Power Supply (Volts) | 115/Single Phase |
| | Current Consumption (Amps) | 17.1 |
| | Power Consumption (KW) | 1.65 |
| | Maximum Circuit Breaker (Amps) | 20 |
| | Minimum Circuit Ampacity(Amps) | 22 |
| | Min./Max. Voltage | 105-125 |
| | Power Cord Gauge/Length | 12AWG/6' |
| | Plug Configuration | NEMA 5-20 |
| DIMENSIONAL DATA | | |
| | Width x Depth x Height (Inches) | 20.325" x 24" x 43.125" |
| | Weight (Lbs.) | 245 |
| | Shipping Weight (Lbs.) | 295 |
| SAFETY DEVICE DATA | | |
| | Compressor Overload | Internal |
| | Fan Motor Overload | Automatic Internal |
| | Evaporator Freeze Protection | Hot Gas Bypass |
| | High Pressure Switch | Manual |
| | Low Pressure Switch | Automatic |
| | Compressor Short Cycle | Yes |
| | Automatic Restart | Yes |
| | Thermostat Type | Microprocessor/Digital |
| | Condensate Pump Overflow | Yes |
| | Condensate Tank Overflow | Yes |

1-800-KWIKOOL