



# Owner's Manual and Instructions

Sun Blast™ Radiant Construction Heaters

View this manual online at [www.lbwhite.com](http://www.lbwhite.com)



<u>MODEL</u>	<u>OUTPUT</u>	<u>FUEL</u>
<b>CR035AZPA220208</b>	35,000 Btuh (10.25 kW)	Propane Vapor Withdrawal



## SCAN THIS QR CODE

with your smartphone or visit <http://goo.gl/nvneR> to view maintenance videos for L.B.White heaters.\*



\*Requires an app like QR Droid for Android or QR Reader for iPhone.

## Congratulations!

**You have purchased the finest radiant construction heater available.**

Your new L.B. White heater incorporates the benefits from the most experienced manufacturer of heating products using state-of-the-art technology.

We, at L.B. White, **thank you** for your confidence in our products and welcome any suggestions or comments you may have...call us, toll-free, at 1-800-345-7200.

### ATTENTION ALL USERS

This heater has been tested and evaluated by ETL in accordance with the requirements of Standard ANSI Z83.7 • CSA 2.14 and is listed and approved as a direct fired construction heater for use on combustible floors. This heater is intended for use as a portable, temporary heater for buildings under construction, alteration, or repair. If you are considering using this product for any application other than its intended use, then please contact your fuel gas supplier, or the L.B. White Co., Inc.



**World Provider - Innovative Heating Solutions**

411 Mason Street, Onalaska, WI 54650 ■ (800) 345 7200 ■ (608) 783 5691 ■ (608) 783 6115, fax ■ [www.lbwhite.com](http://www.lbwhite.com)



 **GENERAL HAZARD WARNING**

- Failure to comply with the precautions and instructions provided with this heater, can result in:
  - Death
  - Serious bodily injury or burns
  - Property damage or loss from fire or explosion
  - Asphyxiation due to lack of adequate air supply or carbon monoxide poisoning
  - Electrical shock
- Read this Owner's Manual before installing or using this product.
- Only properly-trained service people should repair or install this heater.
- Save this Owner's Manual for future use and reference.
- Owner's Manuals and replacement labels are available at no charge. For assistance, contact L.B. White at 800-345-7200.

 **WARNING**

- Proper gas supply pressure must be provided to the inlet of the heater.
- Refer to data plate for proper gas supply pressure.
- Gas pressure in excess of the maximum inlet pressure specified at the heater inlet can cause fires or explosions.
- Fires or explosions can lead to serious injury, death, or building damage.
- Gas pressure below the minimum inlet pressure specified at the heater inlet may cause improper combustion.
- Improper combustion can lead to asphyxiation or carbon monoxide poisoning and therefore serious injury or death.

 **WARNING**

**Fire and Explosion Hazard**

- Not for home or recreational vehicle use.
- Installation of this heater in a home or recreational vehicle may result in a fire or explosion.
- Fire or explosions can cause property damage or loss of life.

**FOR YOUR SAFETY**

Do not store or use gasoline or other flammable vapors and liquids in the vicinity of this or any other appliance.

**FOR YOUR SAFETY**

- If you smell gas:
1. Open windows.
  2. Don't touch electrical switches.
  3. Extinguish any open flame.
  4. Immediately call your gas supplier.

 **WARNING**

**Fire and Explosion Hazard**

- Keep solid combustibles a safe distance away from the heater.
- Solid combustibles include wood or paper products, building materials, and dust.
- Do not use the heater in spaces which contain or may contain volatile or airborne combustibles.
- Volatile or airborne combustibles include gasoline, solvents, paint thinner, dust particles or unknown chemicals.
- Failure to follow these instructions may result in a fire or explosion.
- Fire or explosions can lead to property damage, personal injury or loss of life.

# Table of Contents

<b>SECTION</b>	<b>PAGE</b>
General Information .....	3
Heater Specifications .....	4
Safety Precautions .....	5
Installation Instructions	
General .....	7
Hose and Regulator Assembly .....	8
Connecting Regulator to Gas Supply .....	8
Wheels .....	9
Handle .....	9
Start-Up Instructions .....	10
Shut-Down Instructions .....	10
Cleaning Instructions .....	11
Maintenance Instructions .....	11
Service Instructions	
General .....	12
Safety Control Valve and Burner Orifice .....	12
Tip Switch .....	12
Igniter and Electrode .....	13
Thermocouple .....	13
Gas Pressure Checks .....	14
Troubleshooting .....	15
Heater Component Function .....	16
Parts Identification	
Parts Schematic .....	17
Parts List .....	18
Warranty Policy, Replacement Parts, and Service .....	19

---

## General Information

When calling for technical service assistance, or for other specific information, always have model number, configuration number and serial number available. This information is contained on the dataplate.

This manual will instruct you in the operation and care of your unit. Have your qualified installer review this manual with you so that you fully understand the heater and how it functions.

The gas supply line installation, installation of the heater, and repair and servicing of the heater requires continuing expert training and knowledge of gas heaters and should not be attempted by anyone who is not so qualified. See page 6 for definition of the necessary qualifications.

Contact your local L.B. White distributor or the L.B. White Co., Inc. for assistance, or if you have any questions about the use of the equipment or its application.

The L.B. White Co., Inc. has a policy of continuous product improvement. It reserves the right to change specifications and design without notice.

# Heater Specifications

## Model

CR035

## SPECIFICATIONS

Fuel	<b>Propane Gas</b>
Input - Btuh (kW)	35,000 (10.25)
Burner Manifold Pressure - in. W.C. (kPa)	25.5 (6.35)
Fuel Consumption Per Hour- lbs. (kg)	1.62 (.73)
Dimensions - Inches (centimeters) L x W x H	12.4 x 10.4 x 37.5 (31.5 x 26.4 x 95.2)
Minimum Safe Distances From Nearest Combustible Materials Feet (Meters)	<b>TOP</b> 3.3 (1.0)
	<b>SIDES AND BACK</b> 3.3 (1.0)
	<b>FRONT</b> 4.5 (1.37)
	<b>GAS SUPPLY</b> U.S.: 6 (1.83 ) CANADA: 10 (3.05)

## Safety Precautions

### **WARNING** **Asphyxiation Hazard**

- Do not use this heater for heating human living quarters, garages, workshops, or other such confined spaces.
- Do not use in unventilated areas.
- The flow of combustion and ventilation air must not be obstructed.
- Proper ventilation air must be provided to support the combustion air requirements of the heater being used.
- Lack of proper ventilation air will lead to improper combustion.
- Improper combustion can lead to carbon monoxide poisoning leading to serious injury or death. Symptoms of carbon monoxide poisoning can include headaches, dizziness and difficulty in breathing.
- Proper ventilation air for combustion must be provided in accordance with OSHA 29 CFR 1926.154, Temporary Heating Device, ANSI A10.10, Safety Requirements for Temporary and Portable Space Heating Devices, or the Natural Gas and Propane Installation Code, CAN/CSA B149.1 as appropriate.

### **FUEL GAS ODOR**

Propane gas has a man made odorant added specifically for detection of fuel gas leaks.

If a gas leak occurs, you should be able to smell the fuel gas.

**THAT'S YOUR SIGNAL TO GO INTO IMMEDIATE ACTION!**

- Do not take any action that could ignite the fuel gas. Do not operate any electrical switches. Do not pull any power supply or extension cords. Do not light matches or any other source of flame. Do not use your telephone.
- Get everyone out of the building and away from the area immediately.
- Close all propane gas tank or cylinder fuel supply valves.
- Propane gas is heavier than air and may settle in low areas. When you have reason to suspect a propane leak, keep out of all low areas.
- Use your neighbor's phone and call your fuel gas supplier and your fire department. Do not re-enter the building or area.
- Stay out of the building and away from the area until declared safe by the firefighters and your fuel gas supplier.
- **FINALLY**, let the fuel gas service person and the firefighters check for escaped gas. Have them air out the building and area before you return. Properly trained service people must repair the leak, check for further leakages, and then relight the appliance for you.

### **ODOR FADING -- NO ODOR DETECTED**

- Some people cannot smell well. Some people cannot smell the odor of the man-made chemical added to propane gas. You must determine if you can smell the odorant in this fuel gas.
- Learn to recognize the odor of propane gas. Local propane gas dealers will be more than happy to give you a "scratch and sniff" pamphlet. Use it to become familiar with the fuel gas odor.
- Smoking can decrease your ability to smell. Being around an odor for a period of time can affect your sensitivity to that particular odor.
- The odorant in propane gas is colorless and the intensity of its odor can fade under some circumstances.
- If there is an underground leak, the movement of gas through the soil can filter the odorant.
- Propane gas odor may differ in intensity at different levels. Since propane gas is heavier than air, there may be more odor at lower levels.
- **Always be sensitive to the slightest gas odor.** If you continue to detect any gas odor, no matter how small, treat it as a serious leak. Immediately go into action as discussed previously.

### **ATTENTION -- CRITICAL POINTS TO REMEMBER!**

- Propane gas has a distinctive odor. Learn to recognize these odors. (Reference "Fuel Gas Odor" and "Odor Fading" sections above.)
- If you have not been properly trained in repair and service of propane gas fueled heaters, then do not attempt to light heater, perform service or repairs, or make any adjustments to the heater on propane gas fuel system.
- Even if you are not properly trained in the service and repair of the heater, ALWAYS be consciously aware of the odors of propane gas and natural gas.
- A periodic sniff test around the heater or at the heater's joints; i.e. hose, connections, etc., is a good safety practice under any conditions. If you smell even a small amount of gas, CONTACT YOUR FUEL GAS SUPPLIER IMMEDIATELY. DO NOT WAIT!



**WARNING**  
**Burn Hazard**

- Radiant heaters are normally quiet during operation.
- Always be aware of your proximity to the radiant heater during its use.
- Do not touch the heater or come within safe clearances given on dataplate and Owner's Manual.
- Failure to follow this warning can result in ignition of clothing and burns, causing severe injury.

1. Do not attempt to install, repair, or service this heater or the gas supply line unless you have continuing expert training and knowledge of gas heaters.

Qualifications for service and installation of this equipment are as follows:

- a. To be a qualified gas heater service person, you must have sufficient training and experience to handle all aspects of gas-fired heater installation, service and repair. This includes the task of installation, troubleshooting, replacement of defective parts and testing of the heater. You must be able to place the heater into a continuing safe and normal operating condition. You must completely familiarize yourself with each model heater by reading and complying with the safety instructions, labels, Owner's Manual, etc., that is provided with each heater.
  - b. To be a qualified gas installation person, you must have sufficient training and experience to handle all aspects of installing, repairing and altering gas lines, including selecting and installing the proper equipment, and selecting proper pipe and tank size to be used. This must be done in accordance with all local, state and national codes as well as the manufacturer's requirements.
  - c. In the Commonwealth of Massachusetts, this product must be installed by a gas fitter licensed by the Commonwealth of Massachusetts.
2. All installations and applications of L.B. White heaters must meet all relevant local, state and national codes. Included are L.P. gas, and safety codes. Your local fuel gas supplier, a local licensed electrician, the local fire department or similar government agencies, or your insurance agent can help you determine code requirements.

Also refer to:

- ANSI/NFPA 58, latest edition, Standard for Storage and Handling of Liquefied Petroleum Gas
  - ANSI Z223.1/NFPA 54, National Fuel Gas Code
  - CAN/CSA B149.1 Natural Gas and Propane Installation Code
3. The heater shall not be directed toward any propane gas container within 20 ft. (6 m).
  4. Disconnect the heater from its propane gas supply container when relocating.
  5. The heater's wheels must be extended and locked into position before putting the heater in use. The locked wheels provide stability for the heater during its operation.

6. Do not move the heater while it is in operation.
7. We cannot anticipate every use which may be made of our heater. Check with your local fire safety authority if you have questions about applications.
8. Other standards govern the use of fuel gases and heat producing products in specific applications. Your local authority can advise you about these.
9. Use only compressed air, a soft brush, or dry cloth to clean the heater and it's components. Allow the heater to completely cool before cleaning or servicing.
10. Always use approved pipe thread compound suitable for use with propane gas on the threaded connections.
11. Do not block air intakes or discharge outlets of the heater. Doing so may cause improper combustion or damage to heater components leading to property damage.
12. The hose assembly shall be visually inspected before each use of the heater. If it is evident there is excessive abrasion or wear, or if the hose is cut, it must be replaced prior to the heater being put into operation. The hose assembly shall be protected building materials, and contact with hot surfaces during use. The hose assembly shall be that specified by the manufacturer. See parts list.
13. Check for gas leaks and proper function upon heater installation or when relocating. Refer to leak check instructions within installation section of this manual.
14. This heater should be inspected for proper operation by a qualified service person before each use and at least annually.
15. Always turn off the gas supply to the heater if the heater is not going to be used.
16. If gas flow is interrupted and flame goes out, do not relight the heater until you are sure that all gas that may have accumulated has cleaned away. In any event, do not relight the heater for at least 5 minutes.
17. Minimum propane gas supply cylinder size to be used shall be 20 pounds (9.0 kg). When using a cylinder supply system, the system must be arranged to provide vapor withdrawal from the operating cylinder.
18. When the heater is to be stored indoors, the connection between the propane gas supply cylinder(s) and the heater must be disconnected and the cylinder(s) removed from the heater and stored in accordance with the Standard and Handling of Liquefied Petroleum Gases, ANSI/NFPA 58, or the Natural Gas and Propane Installation Code, CAN/CSA B149.1 as appropriate .
19. Propane gas supply containers have left handed threads. Always use the appropriate wrench to tighten or loosen the regulator's P.O.L. fitting at the propane gas container's supply valve.

# Installation Instructions

## GENERAL



### WARNING

Fire or explosion hazard.

Can cause property damage, severe injury or death.

1. To avoid dangerous accumulation of fuel gas, turn off the gas supply at the heater service valve before starting installation, and perform gas leak test after completion of installation.
2. Do not force the safety gas control button. Use only normal hand pressure to depress the button. Never use any tools. If the button will not operate by normal hand pressure, the control should be replaced by a qualified service technician. Force or attempted repair may result in fire or explosion.

1. Read all safety precautions and follow L.B. White recommendations when installing this heater. If during the installation or relocating of heater, you suspect that a part is damaged or defective, call a qualified service agency for repair or replacement.

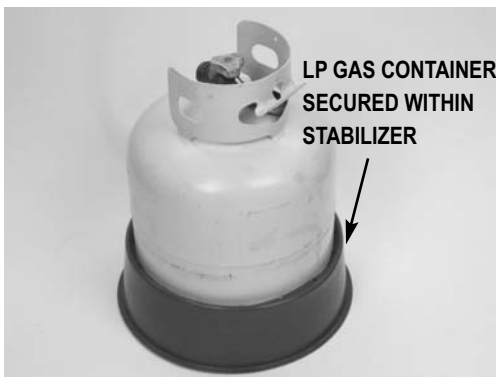
2. Position heater properly before use. The heater must be installed on a level, flat, horizontal, and stable surface when hot or in operation and according to minimum clearances from combustible surfaces such as walls, or ceilings. Do not place combustible materials within this zone of clearance. Minimum safe distances are as follows:

Top to Ceiling	3.3 ft (1.0 m)
Sides and back	3.3 ft. (1.0 m)
Front	4.5 ft. (1.37 m)
Gas Supply	6 ft. min. (1.83 m)

### 3. L.P Gas Installation Requirements

- Ensure **all** L.P. gas containers are secured from accidental tip over and are protected from people, vehicular traffic, and contact.
  - Use a stabilizer for smaller 20/30/40 pound (9 14,18 KG) LP gas containers to keep them upright during use and transport. See Fig. 1.
- L.P. gas containers must be located on a flat, level, and stable surface.

**FIG. 1**



Contact your local authorities, L.P. gas dealers, or fire marshalls for specifics dealing with installation in your area.

4. Position the heater and its gas supply hose so as to protect heater and its gas supply hose from traffic. Protect hoses with a shielding device of suitable nature to protect the hose from traffic and movement or other construction equipment.
5. The heater is approved for indoor use only. The heater shall be installed so it is not directly exposed to water spray, rain, and /or dripping water.
6. The heater's gas pressure regulator (with pressure relief valve) must be protected from adverse weather conditions (rain, ice, snow) as well as from building materials (tar, concrete, plaster, etc.) which can affect safe operation and could result in property damage or injury.
7. Heaters used in the vicinity of combustible tarpaulins, canvas, plastics, wind barriers, or similar coverings shall be located at least 10 feet (3.05 m) from the coverings. The coverings shall be securely fastened to prevent ignition or upsetting of the heater due to wind action on the covering or other material.
8. Check all connections for gas leaks using approved gas leak detectors. Gas leak testing is performed as follows:



### WARNING

Fire and Explosion Hazard

- Do not use open flame (matches, torches, candles, etc.) in checking for gas leaks.
- Use only approved leak detectors.
- Failure to follow this warning can lead to fires or explosions.
- Fires or explosions can lead to property damage, personal injury or loss of life.

- Check all pipe connections, hose connections, fittings and adapters upstream of the gas control with approved gas leak detectors.
- In the event a gas leak is detected, check the components involved for cleanliness and proper application of pipe compound before further tightening.
- Furthermore tighten the gas connections as necessary to stop the leak.
- After all connections are checked and any leaks are stopped, turn on the main burner.
- Stand clear while the main burner ignites to prevent injury caused from hidden leaks that could cause flashback.



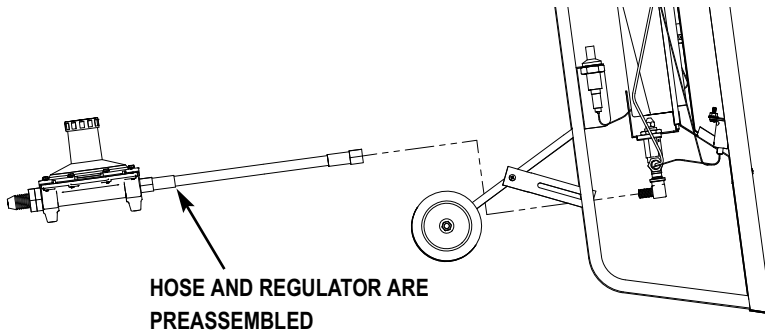
- With the main burner in operation, check all connections, hose connections, fittings and joints as well as the gas control valve inlet and outlet connections with approved gas leak detectors.
  - If a leak is detected, check the components involved for cleanliness in the thread areas and proper application of pipe compound before further tightening.
  - Tighten the gas connection as necessary to stop the leak.
  - If necessary, replace the parts or components involved if the leak cannot be stopped.
  - Ensure all gas leaks have been identified and repaired before proceeding.
9. A qualified service agency must check for proper operating gas pressure upon installation of the heater.
  10. Light according to instructions on heater or within owner's manual.
  11. Make sure the heater has the proper gas regulator for the application. A regulator must be connected to the gas supply so that gas pressure at the inlet to the gas valve is regulated within the range specified on the dataplate at all times. Contact your gas supplier, or the L.B. White Co., Inc. if you have any questions.
  12. This heater is configured for use with propane vapor withdrawal only. Consult the heater's dataplate for the gas configuration of the specific heater. Do not use the heater in a propane liquid withdrawal system or application. If you are in doubt, contact the L.B. White Co., Inc.
  13. Take time to understand how to operate and maintain the heater by using this Owner's Manual. Make sure you know how to shut off the gas supply to the heater. Contact your fuel gas supplier if you have any questions.
  14. Any defects found in performing any of the service or maintenance procedures must be eliminated and defective parts replaced immediately. The heater must be retested by properly qualified service personnel before placing the heater back into use.

---

## **HOSE AND REGULATOR ASSEMBLY**

Connect end of hose with nut to safety control valve at heater. See Fig. 2. Tighten securely.

**FIG. 2**




---

## **CONNECTING REGULATOR TO GAS SUPPLY**

*Ensure regulator is installed under a protective cover*

1. Remove the plastic cap from the POL fitting. Do not discard the cap. Position the regulator as shown.
2. Insert the POL fitting into the propane supply container's valve. See Fig. 3. Thread nut on fitting counterclockwise into propane supply valve. Tighten nut securely with a wrench.
  - When storing or transporting the heater, ensure the cap is pushed onto the POL fitting to prevent damage or dirt entry into regulator.

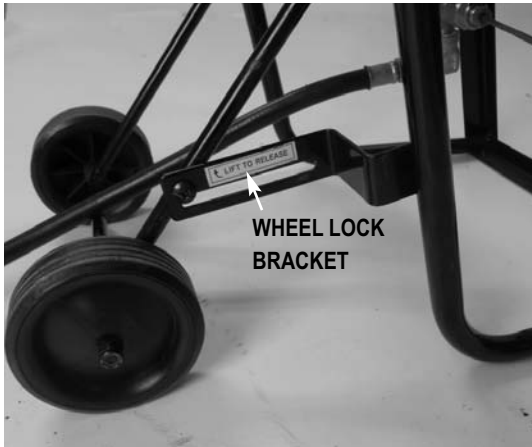
**FIG. 3**



## WHEELS

- Pivot the wheels out and push down on the wheel bracket to lock the wheels into position prior to lighting the heater. See Fig. 4.

**FIG. 4**



**WARNING**  
Fire Hazard

- Do not operate the heater unless its wheels are fully extended and locked into position.
- Failure to lock the wheels will result in tip over, allowing direct contact with combustible materials.
- Fire may occur, causing burns, resulting in serious injury or death.

## HANDLE

- Pivot the handle up and lock into position during relocation **only**. See Fig. 5.

**FIG. 5**



**WARNING**  
Burn Hazard

- Do not operate the heater with the handle in the upright and locked position.
- Gripping the handle while the heater is operating, or, after the heater has been shut down, can result in burns, causing injury.

---

## **Start-Up Instructions**

1. Slowly open the fuel supply valve at the propane gas supply. (This prevents lockup of the excess flow check valve internal to the regulator's POL fitting.)
2. Fully depress the button on the safety control valve while pushing the piezo igniter button. The burner will light. See Fig. 6.
3. Keep the safety control's button depressed for about 30 seconds to allow the thermocouple to warm up.
  - On new installations it may take a short time for gas to purge out any air before the burner lights.
4. Release the safety control's button. The burner will stay lit.

**FIG. 6**



---

## **Shut-Down Instructions**

1. Close all fuel gas supply valves.
2. Allow the heater to burn off any fuel gas remaining in the gas supply line.
3. Disconnect the heater from its gas supply.

---

## **Cleaning Instructions**

 **WARNING**  
Fire, Burn, and Explosion Hazard

- This heater contains mechanical components used in the gas management and safety systems.
  - Such components may become inoperative or fail due to dust, dirt, wear or aging.
  - Periodic cleaning and inspection as well as proper maintenance are essential to avoid serious injury or damage.
  - Allow the heater to cool completely before cleaning or maintenance.
- Before each use give the heater a general cleaning.

 **WARNING**

Do not use water or liquid cleaning solution when cleaning. Use of water, or liquid cleaning solution on the control components can cause severe personal injury or property damage due to water and/or liquids:

- \* On gas control valves causing corrosion which can result in gas leaks and fire or explosion from the leak.

Clean the heater with pressurized air, a dry brush, or a dry cloth.

---

## **Maintenance Instructions**

1. The area surrounding the heater shall be kept clear and free from combustible materials, gasoline, and other flammable vapors and liquids.
2. The regulator must be periodically inspected to make sure its vent is not blocked. Debris, insects, insect nests, snow, or ice on a regulator can block vents and cause excess pressure at the heater.
3. A regulator can wear out and function improperly. Have your gas supplier check delivery pressures to the appliance to make sure that the regulator is reliable.
4. Check any heater wiring for corrosion, frayed or cut insulation, tight connections, etc. Repair or replace as necessary.
5. Review the heater's instruction label at the time of maintenance for legibility. Make sure it is not cut, torn, or otherwise damaged. Any damaged label must be replaced immediately by contacting the L.B. White Co., Inc.
6. Ensure the gas hose does not have any nicks, or cuts, and its connections are not corroded, or have stripped threads. Replace the gas hose assembly if necessary. Do not repair.

**! WARNING**  
**Burn Hazard**

- Heater surfaces are hot for a period of time after the heater has been shut down.
- Allow the heater to cool before performing any service
- Failure to follow this warning will result in burns causing injury.

**! WARNING**  
**Fire and Explosion Hazard**

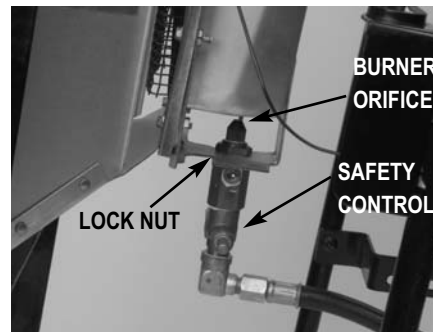
- Do not disassemble or attempt to repair any heater components or gas train components.
- All component parts must be replaced if defects are found.
- Failure to follow this warning will result in fire or explosions, causing property damage, injury, or death.

1. Close the fuel supply valve to the heater before servicing unless necessary for your service procedure.
2. Disconnect the gas hose if needed for the service procedure.
3. For reassembly, reverse the respective service procedure. Ensure gas connections are tightened securely.
4. After servicing, start the heater to ensure proper operation and check for gas leaks.
5. Clean the heater's orifice with compressed air or a soft, dry rag. Do not use files, drills, etc., which may enlarge the holes, causing combustion problems or burner flame extending outside of the burner. Replace the orifice if its hole cannot be cleaned properly.

## SAFETY CONTROL VALVE and BURNER ORIFICE

1. Disconnect the thermocouple from the safety control valve.
2. Remove the locking nut as shown in Fig. 7.
3. Remove the safety control with orifice from the heater.

**FIG. 7**



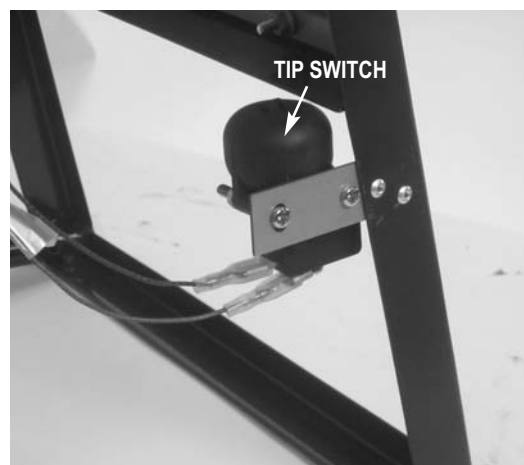
## TIP SWITCH

The tip switch is a normally closed device. It will open the circuit to the safety control valve and shut the burner off if the heater is accidentally tipped over, moved while in operation, or operating on an inclined surface.

**The tip switch must be tested before each use.**

- Place the heater to normal operating position.
- Light the heater.
- Tip the heater at least 35 degrees. The switch should open and shut the burner off.
- If the heater continues to burn, the switch is defective and should be replaced.

**FIG. 8**



## IGNITER and ELECTRODE

Servicing of the igniter and electrode is needed when a spark is not observed at the electrode when pushing the igniter button. This may happen with use over a period of time, dust and dirt accumulation, or improper gap

If you do not see a spark being generated at the electrode check the following areas:

### A. Igniter

1. Remove the wire from the push button igniter.
2. Position a screwdriver tip about 1/8 in.(3 mm) from igniter. See Fig. 9
3. Holding the screwdriver by its handle, push the igniter's button several times. If spark is not seen, replace the piezo igniter. If spark is observed, proceed to electrode servicing.

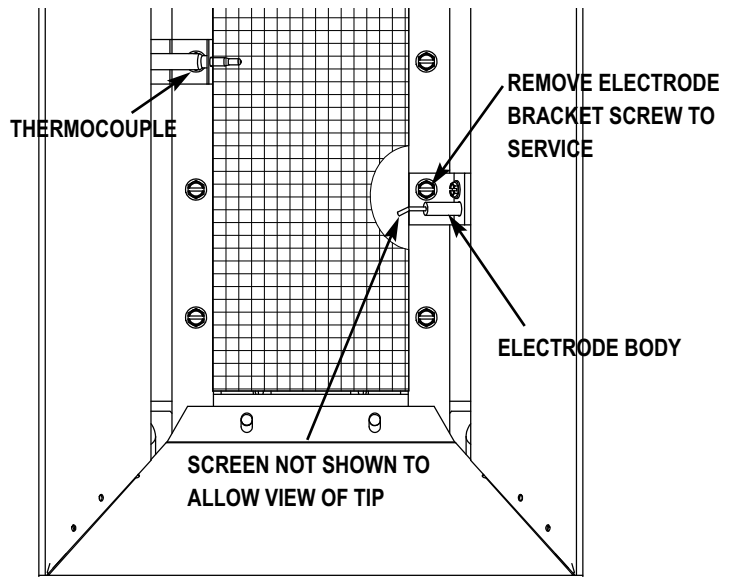
**FIG. 9**



### B. Electrode

1. Ensure the electrode's wire, connected to the igniter, is securely connected.
2. Check the wire for nicks, cuts, or mars. Nicks or cuts will prevent a spark from being generated at the electrode tip. Replace the electrode if necessary.
3. Electrode tip is approximately 3/16 in. (4.7 mm) from burner screen.
4. If necessary, remove the electrode and clean its tip with emery cloth or steel wool. See Fig. 10.
5. Verify that the electrode's insulator body is not cracked and that the electrode rod does not move within its the body. See Fig. 9. If it does, replace the electrode.

**FIG. 10**

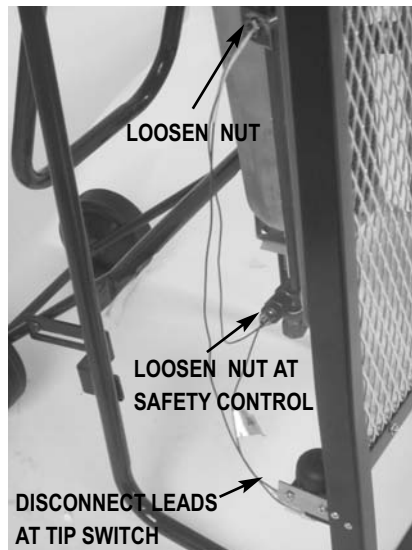


## THERMOCOUPLE

The thermocouple may need replacement if the burner goes out after allowing the thermocouple to warm for an extended period of time. Normal time for warm-up is about 30 seconds to 1 minute.

1. See Fig. 11 for thermocouple location and instructions.
2. To determine if the thermocouple is defective:
  - Connect tip switch leads together with a jumper.
  - Connect an ohm meter between the thermocouple tip and its contact button (previously connected to safety control)
  - A good thermocouple will give some level of resistance from end to end.
  - A defective thermocouple will show an overload or infinite resistance on the ohm meter.

**FIG. 11**



- This procedure is to be done once a year prior to the heating season, anytime the heater is moved from one job location to the next, or after servicing the heater.

**⚠ WARNING**

- Do not disassemble the safety control valve.
- Do not attempt to replace any components of the safety control valve.
- The safety control must be replaced if any physical damage occurs to it.
- Failure to follow this warning will result in fire or explosions, leading to injury or death, and building damage.

**MATERIALS REQUIRED**

(To be secured through local purchase)

<u>Quantity</u>	<u>Description</u>
1	Low pressure gauge kit, part number 00764

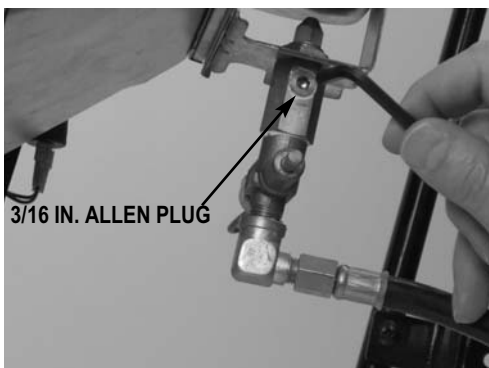
**A. PREPARATION**

1. Close the fuel supply valve.
2. Allow heater to burn off gas remaining in it's gas hose.
3. Allow the heater to cool.

**B. GAUGE INSTALLATION**

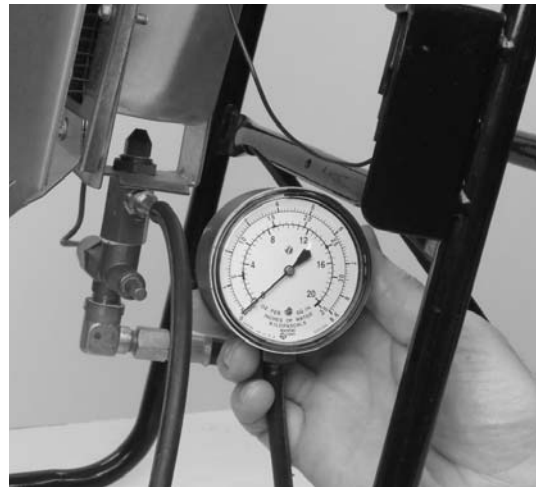
1. Using a 3/16 in allen wrench, remove the allen plug located on the gas manifold as shown in Fig. 12.

**FIG. 12**



2. Install the gauge at this point. See Fig.13.

**FIG. 13**



3. Open fuel supply valves to heater.

**C. READING PRESSURES**

1. Light the heater. With the heater operating, the pressure gauge should read the pressure specified on the dataplate or in the specification section of this owner's manual.
2. Does the pressure reading agree with that given on the dataplate? If so, no further checking or adjustment is required. Proceed to section D.
3. If the pressures does not agree with that specified on the dataplate, then check the following:
  - Improper regulator for heater.
  - Regulator out of adjustment. (Replace if necessary).
  - Blockage in gas hose.
  - Insufficient size or quantity of propane gas supply containers.

**D. COMPLETION**

1. Once the proper pressure has been confirmed, close fuel supply valves.
2. Allow heater to burn off fuel remaining in gas supply line, and allow the heater to cool.
3. Remove the gauge.
4. Install allen plug into manifold, tightening securely.
5. Check for gas leaks.

# Troubleshooting

PROBLEMS	CAUSES	REMEDIES
1. Burner will not light.	<ul style="list-style-type: none"> <li>* Propane gas container is empty.</li> <li>* Fuel supply valves closed.</li> <li>* Excess flow valve in P.O.L. fitting on regulator is closed.</li> <li>* Safety control button not fully pushed in.</li> <li>* Burner orifice manifold is plugged.</li> <li>* Restriction in gas hose.</li> <li>* Air in gas line.</li> <li>* Safety control valve is defective.</li> <li>* Defective piezo igniter or electrode.</li> </ul>	<ul style="list-style-type: none"> <li>* Fill container.</li> <li>* Open fuel supply valves.</li> <li>* Close propane container valve. Wait 5 minutes and open container's valve slowly.</li> <li>* Push in button completely.</li> <li>* Clean or replace manifold.</li> <li>* Remove hose from heater and blow out with compressed air or replace if necessary.</li> <li>* Push in safety control valve's pilot button (normally 15 - 20 seconds is sufficient) on control of gas valve to purge air from line (usually necessary at time of installation).</li> </ul> <p data-bbox="943 625 1500 695">NOTE: Make sure you are pushing the Piezo igniter button during this time to prevent gas accumulation.</p> <ul style="list-style-type: none"> <li>* Replace safety control valve.</li> <li>* Refer to the igniter and electrode service instruction section for problems associated with these parts.</li> </ul>
2. Burner lights but will not stay lit when safety control button is released.	<ul style="list-style-type: none"> <li>* Restriction in gas hose.</li> <li>* Insufficient time allowed for thermocouple to heat up..</li> <li>* Loose thermocouple.</li> <li>* Defective thermocouple.</li> <li>* Burner orifice is plugged.</li> <li>* Defective safety control valve.</li> <li>* Improper gas pressure.</li> <li>* Tip switch is open</li> </ul>	<ul style="list-style-type: none"> <li>* See remedy for same cause in Problem #1.</li> <li>* Hold in control button for 30 seconds to allow proper warm up.</li> <li>* Tighten thermocouple at gas control. Make sure it is securely pushed into its bracket. Tighten finger tight and snug the contact nut with an appropriate wrench.</li> <li>* Replace thermocouple.</li> <li>* See remedy for same in Problem #1.</li> <li>* Replace safety control valve.</li> <li>* Set pressure according to pressure on dataplate.</li> <li>* Check continuity through switch. If heater is sitting properly, replace the switch.</li> </ul>
3. Heater not delivering maximum heat output.	<ul style="list-style-type: none"> <li>* Gas supply valves not fully open.</li> <li>* Burner orifice is plugged.</li> <li>* Low fuel supply pressure.</li> </ul>	<ul style="list-style-type: none"> <li>* Open valves completely.</li> <li>* Clean burner orifice with compressed air or replace.</li> <li>* Consult propane gas supplier. Cylinder or tank needs replacement or refill. Regulator needs adjustment. Check for use of proper regulation and fuel gas.</li> </ul>



---

## **Heater Component Function**

### **BURNER**

Component at which combustion of fuel gases takes place.

### **BURNER ORIFICE**

Metering device used to feed gas to burner at a specific rate, with the appropriate pressure.

### **ELECTRODE**

Ignites gas by spark. Receives spark voltage from piezo igniter.

### **GAS HOSE**

Flexible connector used to convey gas from supply line or cylinder to heater.

### **PIEZO IGNITER**

Generates ignition voltage when igniter button is pushed. This voltage is sent to electrode to provide spark.

### **REGULATOR**

The heart of any gas supply installation. Used to deliver a working pressure to the appliance under varying conditions in tank pressure.

### **SAFETY CONTROL VALVE**

A gas control valve which is held open by electrical power supplied by the thermocouple and which closes automatically to shut off the flow of gas to the main burner when flame is extinguished or is too small to heat the thermocouple.

### **THERMOCOUPLE**

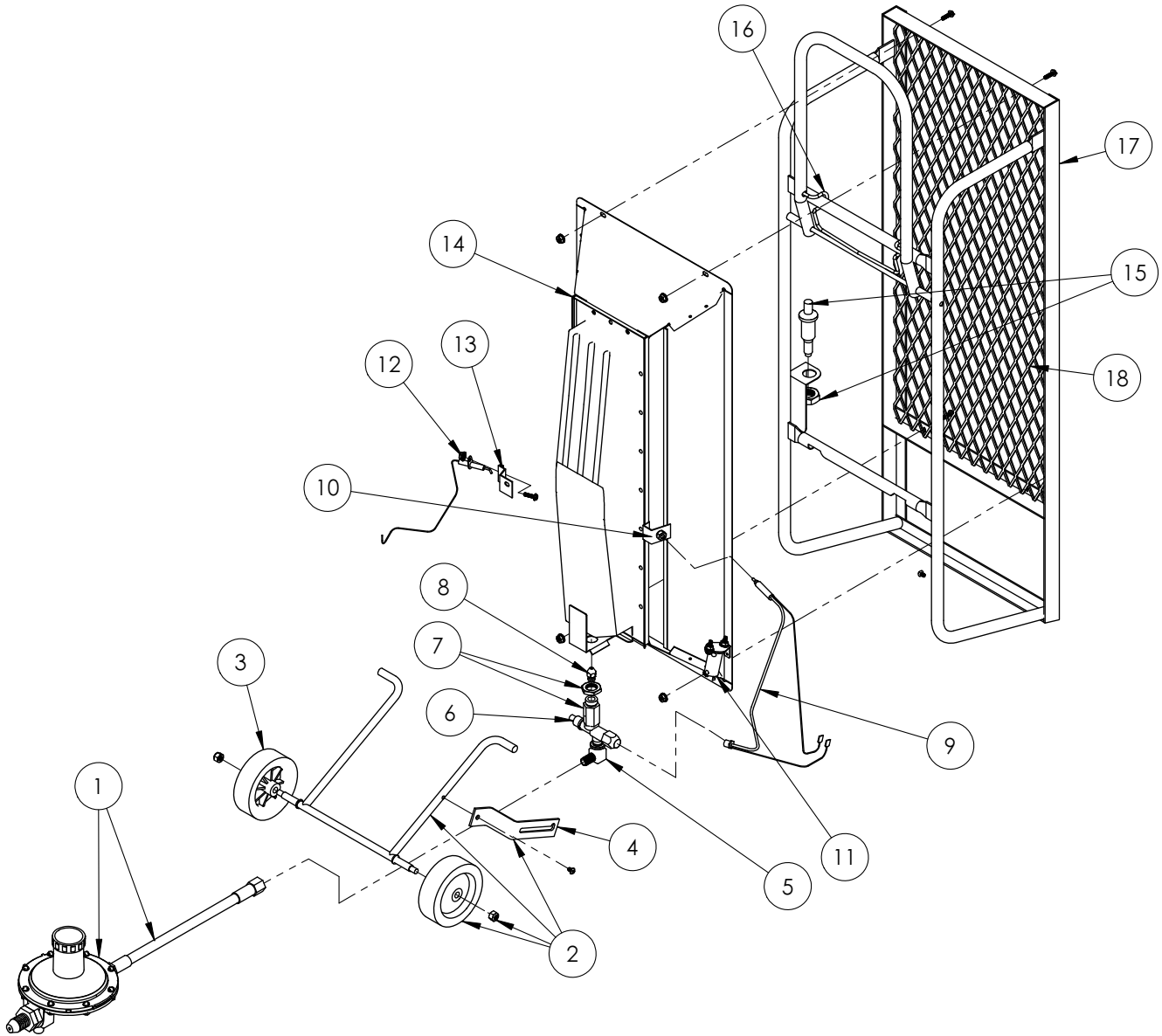
A thermoelectric device that converts heat directly into electrical energy. Works in conjunction with electromagnet in gas control valve thereby assisting in maintaining gas supply for the main burner.

### **TIP SWITCH**

A switch that will shut the heater off if the heater is accidentally tipped over during operation, or if the heater is not positioned properly.

# Parts Identification

## Parts Schematic



---

**Parts List**

<b>Item</b>	<b>Description</b>	<b>Part Number</b>
1	Regulator w/hose	573255
2	Axle with wheels	573259
3	Wheel	573258
4	Wheel lock	573260
5	Hose adapter	573315
6	Safety control valve	573250
7	Pressure tap assembly	573311
8	Burner orifice	573252
9	Thermocouple	573253
10	Thermocouple bracket	573263
11	Tip switch	573254
12	Electrode	573256
13	Electrode bracket	573316
14	Burner assembly	573251
15	Piezo igniter with nut	573257
16	Handle lock	573261
17	Frame assembly	573262
18	Screen	573307

---

## **Warranty Policy**

### **HEATER**

---

L.B. White Co., Inc. warrants that the component parts of its heater are free from defects in material and workmanship, when properly installed, operated, and maintained in accordance with the Installation and Maintenance Instructions, safety guides and labels contained with each unit. If, **within 24 months from the date of purchase by the end user**, any component is found to be defective, L.B. White Co., Inc. will at its option, repair or replace the defective part or heater, with a new part or heater, F.O.B., Onalaska, Wisconsin.

Registering your product online with L.B.White will automatically qualify a unit and its component parts for warranty consideration. If a product has not been registered with L.B.White, a copy of the bill of sale will be required to establish warranty qualification. If neither is available, the warranty period will be 24 months from date of shipment from L B. White.

### **PARTS**

---

L.B. White Co., Inc. warrants that replacement parts purchased from the company and used on the appropriate L. B. White equipment are free from defects both in material and workmanship for **24 months from the date of purchase by the end user**. Warranty is automatic if a component is found defective within 24 months of the date code marked on the part. If the defect occurs more than 24 months later than the date code but within 24 months from the date of purchase by the end user, a copy of a bill of sale will be required to establish warranty qualification.

The warranty set forth above is the exclusive warranty provided by L.B. White, and all other warranties, including any implied warranties or merchantability or fitness for a particular purpose, are expressly disclaimed. In the event any implied warranty is not hereby effectively disclaimed due to operation of law, such implied warranty is limited in

duration to the duration of the applicable warranty stated above. The remedies set forth above are the sole and exclusive remedies available hereunder. L.B. White will not be liable for any incidental or consequential damages directly or indirectly related to the sale, handling or use of the equipment, and in any event L.B. White's liability in connection with the equipment, including for claims based on negligence or strict liability, is limited to the purchase price.

Some states do not allow limitations on how long an implied warranty lasts, so the above limitation may not apply to you. Some states do not allow the exclusion or limitation of incidental or consequential damages, so the above limitation or exclusion may not apply to you. This warranty gives you specific legal rights, and you may also have other rights which vary from state to state.

To register your product and ensure full warranty, go to <http://www.lbwhite.com/product-registration>. Please have the serial number(s) and model(s) handy for the products you are registering.

---

## **Replacement Parts and Service**

Contact your local L.B. White dealer for replacement parts and service or call the L.B. White Co., Inc. at 1-800-345-7200

for assistance. Be sure that you have your heater model number and configuration number when calling.



# Manuel de l'utilisateur

## Appareils de chauffage par rayonnement pour la construction Sun Blast™

Vous pouvez consulter ce manuel en ligne à [www.lbwhite.com](http://www.lbwhite.com)



<u>MODÈLE</u>	<u>PUISSANCE</u>	<u>COMBUSTIBLE</u>
---------------	------------------	--------------------

<b>CR035AZPA220208</b>	10.25 kW	
------------------------	----------	--

Soutirage de  
vapeur de  
propane



BALAYEZ CE CODE QR  
avec votre téléphone  
intelligent ou consultez la  
page <http://goo.gl/nvneR> pour regarder  
des vidéos sur l'entretien des appareils  
de chauffage de L.B. White. \*



\*Exige une application telle que QR Droid pour Android ou  
QR Reader pour iPhone.

## Félicitations!

Vous avez acheté le meilleur appareil de chauffage par rayonnement pour la construction qui soit.

Votre nouvel appareil L.B.White a été construit par une entreprise fière et expérimentée qui utilise une technologie de pointe dans la fabrication de ses appareils de chauffage.

L.B. White, tient à vous remercier de la confiance que vous lui témoignez et vous invite à lui communiquer tout commentaire ou suggestion, sans-frais, au 1-800-345-7200

### A TOUS LES UTILISATEURS-VEUILLEZ PRENDRE NOTE :

Cet appareil a été testé et évalué par le ETL, selon les normes en vigueur: ANSI Z83.7• CSA 2.14. Il est homologué et approuvé à titre d'appareil de chauffage de construction à chauffage direct pour une utilisation sur planchers potentiellement combustibles. Cet appareil a été conçu comme étant un appareil de chauffage portatif et d'usage temporaire dans le chauffage d'immeubles en construction, en rénovation ou en réparation. Dans l'éventualité où vous désiriez utiliser cet appareil à des fins autres que celles énumérées ici, nous vous prions de communiquer avec votre détaillant de produits de gaz ou L.B. White Co. Inc.



World Provider - Innovative Heating Solutions

411 Mason Street, Onalaska, WI 54650 ■ (800) 345 7200 ■ (608) 783 5691 ■ (608) 783 6115, fax ■ [www.lbwhite.com](http://www.lbwhite.com)



## MISE EN GARDE GÉNÉRALE

- Le non-respect des mesures de précautions ainsi que des directives d'utilisation de cet appareil, telles que décrites dans ce manuel peut entraîner :
  - La mort
  - Des blessures graves et des brûlures
  - Des dégâts matériels allant jusqu'à la perte d'une propriété dû au feu ou à une explosion
  - Une intoxication grave dûe à l'inhalation de monoxyde de carbone ou résultant d'une ventilation inadéquate
  - Décharge électrique
- Lire attentivement ce manuel avant d'installer ou d'utiliser cet appareil.
- Seul un employé qualifié devrait installer ou réparer cet appareil.
- Garder ce manuel pour une consultation ultérieure ou pour vous y référer en cas d'interrogations sur le fonctionnement de l'appareil.
- Les manuels de l'utilisateur et les étiquettes de remplacement sont offerts gratuitement. Veuillez contacter votre détaillant ou L.B. White Co. Inc. au 1-800-345-7200



## ATTENTION

- L'arrivée de gaz de l'appareil doit être alimenté par une pression de gaz adéquate.
- Se référer à la fiche signalétique pour s'assurer de la pression de gaz requise.
- Une pression de gaz d'alimentation excédent les spécifications maximales de l'appareil, tel que spécifié, peut causer un incendie ou une explosion.
- Un incendie ou une explosion peut résulter en de blessures sérieuses, en décès ou en dommages matériels considérables.
- Une pression de gaz d'alimentation en deçà des spécifications minimales de l'appareil peuvent causer une combustion inadéquate.
- Une combustion inadéquate peut entraîner des risques d'asphyxie ou d'intoxication au monoxyde de carbone entraînant des blessures sérieuses ou la mort.



## ATTENTION

### Risques d'explosion ou d'incendie

- Non-recommandé pour un usage résidentiel ou dans un véhicule récréatif.
- L'utilisation de cet appareil dans une résidence ou dans un véhicule récréatif peut entraîner des risques d'incendie ou d'explosion.
- Un incendie ou une explosion peuvent entraîner des blessures sérieuses ou la mort.

## POUR VOTRE SÉCURITÉ

Ne pas entreposer de gazoline ou toutes autres substances ou liquides inflammables dans la même pièce que cet appareil ou tout autre appareil de même nature.

## POUR VOTRE SÉCURITÉ

Si vous sentez une odeur de gaz :

1. Ouvrez les fenêtres.
2. Ne pas activer d'interrupteurs électriques.
3. Éteindre toute flamme.
4. Contacter immédiatement votre fournisseur de produits de gaz.



## ATTENTION

### Risques d'explosion ou d'incendie

- Maintenir tout combustibles solides à une distance sécuritaire de l'appareil.
- Le bois, les dérivés de papier, les matériaux de construction et la poussière sont autant de combustibles solides.
- Ne pas utiliser l'appareil dans un endroit où l'on retrouve des substances volatiles ou des combustibles en suspension.
- La gazoline, les solvants, les diluants de peinture, les particules de poussière et les substances chimiques d'origines inconnues sont autant de substances volatiles ou de combustibles en suspension.
- Le non-respect de ces consignes peut entraîner un incendie ou une explosion.
- Un incendie ou une explosion peuvent entraîner des blessures sérieuses ou la mort.



<u>SECTION</u>	<u>PAGE</u>
Informations générales .....	3
Spécifications techniques de l'appareil .....	4
Consignes de sécurité .....	5
Directives d'installation	
Informations générales .....	7
Assemblage du boyau d'alimentation et du régulateur .....	9
Branchement régulateur a l'alimentation en gaz propane .....	9
Roulettes .....	10
Poignée .....	10
Directives pour l'allumage .....	11
Directives pour l'extinction .....	11
Directives de nettoyage .....	12
Directives d'entretien .....	12
Directives pour le service	
Généralités .....	13
Valve de contrôle et orifice du bruleur .....	13
Interrupteur de basculement .....	13
Allumeur et électrode .....	14
Thermocouple .....	14
Vérification de la pression de gaz .....	15
Dépannage .....	16
Fonction des différentes composantes de l'appareil .....	17
Identification des pièces composantes	
Schéma des pièces composantes .....	18
Liste des pièces composantes .....	19
Garantie .....	20
Pièces de remplacement et service .....	20

## Informations Générales

Lorsque vous devez avoir recours à une assistance technique, assurez-vous d'avoir en votre possession, le numéro de modèle et de configuration de l'appareil ainsi que son numéro de série. Vous trouverez cette information sur la fiche signalétique de l'appareil.

Ce manuel vous renseigne sur la façon appropriée d'utiliser et de maintenir votre appareil en bon état de fonctionnement. S'assurer que votre installateur qualifié passe en revue les différentes sections de ce manuel en votre compagnie, de sorte que vous puissiez parfaitement comprendre le mode fonctionnement de l'appareil.

L'installation de la ligne d'alimentation de gaz, la mise en service de l'appareil de chauffage ainsi que les travaux d'entretien et de réparation de celui-ci demandent une connaissance experte des appareils de chauffage au gaz et ne devraient jamais être confiés à une personne non-qualifiée. Se référer à la page 6 pour connaître les qualifications nécessaires.

Veuillez communiquer avec votre détaillant local de produits L.B.White ou avec L.B. White directement pour toute interrogation ou assistance au sujet de cet appareil et son fonctionnement.

L.B. White croit fermement dans le développement et l'amélioration constante de ses produits. Nous nous réservons le droit de modifier les spécifications et la conception de l'appareil sans préavis.

# Spécifications

## Modèle

CR035

Combustible	<b>Gaz Propane</b>
Puissance (kW)	10,25
Pression au manifold du brûleur (kPa)	6,35
Consommation de combustible à l'heure (kg)	,73
Dimensions (cm) L x W x H	31,5 x 26,4 x 95,2
Distance minimales de dégagement des matières combustibles environnantes (Mètres)	<b>DESSUS</b> 1,0
	<b>COTES ET ARRIÈRE</b> 1,0
	<b>AVANT</b> 1,37
	<b>RESERVOIR DE COMBUSTIBLE</b> 3,05



## Consignes de sécurité

### ATTENTION

#### Risques d'asphyxie

- Ne pas utiliser cet appareil pour le chauffage d'un logement habité, garages, ateliers, ou autres espaces confinés..
- Ne pas utiliser dans un espace mal aéré.
- Ne pas obstruer l'apport d'air nécessaire à la combustion ainsi que l'air chaud évacué.
- Permettre une aération adéquate pour permettre l'apport nécessaire d'air à la combustion.
- Une mauvaise ventilation entrainera une combustion inadéquate.
- Une combustion inadéquate peut entrainer des blessures sérieuses ou la mort suite à un empoisonnement au monoxyde de carbone. Les symptômes incluent des pertes de conscience, maux de tête, étourdissements et des difficultés à respirer.
- L'air suffisant de ventilation pour la combustion doit être conformément fourni à OSHA 29 CFR 1926,154 Appareils de Chauffage Temporaires, les Conditions de Sécurité d'A10.10, D'ANSI pour Appareils de Chauffage d'Espace Temporaires et Portatifs, et la CAN B149, Gaz Naturels et le Code d'Installation de Propane, comme s'approprié

## DÉTECTION D'UNE ODEUR DE GAZ

**Le gaz propane ainsi que été intentionnellement additionnés d'additifs odorants permettant leur identification et la détection de fuites possibles. Advenant une fuite, il est donc fort probable que vous puissiez sentir la présence de gaz dans l'air ambiant. VOILÀ VOTRE SIGNAL-UNE ACTION IMMÉDIATE S'IMPOSE!**

- Ne poser aucun geste qui puisse enflammer le gaz. Ne pas activer d'interrupteurs électriques. Ne pas débrancher de fils d'alimentation électrique ou d'extensions. Ne pas allumer d'allumettes ou tout autre flamme. N'utiliser pas votre téléphone.
- Évacuer toutes les personnes présentes sur les lieux, le plus loin possible du secteur affecté.
- Fermer les valves de tous les réservoirs de propane ou autres bonbonnes de combustible.
- Le gaz propane étant plus lourd que l'air, il tendra à s'accumuler au ras du sol ou dans les espaces situés sous le niveau du sol. Éviter de se retrouver sous le niveau du sol.
- Utiliser le téléphone d'un voisin et prévenir votre fournisseur de gaz ou le service des incendies. Ne pas réintégrer l'immeuble ou le périmètre affecté.
- Rester à l'écart de la zone affectée jusqu'à ce que le fournisseur de gaz et le service des incendies en ait donné la permission.
- **Finalement**, laisser le personnel du fournisseur de gaz ainsi que les représentants du service des incendies identifier la présence de gaz échappé. S'assurer que ceux-ci aèrent convenablement l'immeuble avant d'y retourner. S'assurer que la fuite est colmatée et réparée par du personnel qualifié. Bien s'assurer que la fuite a bel et bien été colmatée et seulement alors, rallumer l'appareil.

## DIMINUTION DE L'INTENSITÉ DE L'ODEUR - ABSENCE D'ODEUR

- **Certaines personnes n'ont pas un sens de l'odorat très développé. Certains individus ne peuvent simplement pas sentir les additifs chimiques ajoutés aux gaz. Vous devez savoir si vous êtes en mesure de sentir les odeurs caractéristiques du gaz propane.**
- Apprenez à reconnaître les odeurs propres aux différents gaz. Votre fournisseur de gaz devrait pouvoir vous remettre une carte à gratter sur laquelle vous reconnaîtrez les odeurs caractéristiques des différents types de gaz.
- Le tabagisme peut entrainer une réduction de votre acuité olfactive. De plus, le fait d'être longtemps en contact avec une odeur donnée peut réduire votre capacité de l'identifier.
- **Les additifs odorants ajoutés aux gaz propane sont incolores et l'intensité de leur odeur peut faiblir dans certaines circonstances.**
- Si la fuite de gaz est souterraine, le mouvement du gaz au travers du sol peut en filtrer les additifs odorants.
- Le gaz propane étant plus lourd que l'air, l'intensité de son odeur peut varier à différents niveaux de hauteur. Son intensité peut être plus forte aux niveaux inférieurs.
- **Toujours être très alerte quant à la présence d'odeur de gaz.** Considérez la présence d'odeur comme étant une fuite potentielle. Réagissez en conséquence immédiatement.

## ATTENTION-POINTS IMPORTANTS À NE PAS OUBLIER!

- Le gaz propane et ont des odeur bien distinctes. Apprenez à les reconnaître. (Se référer aux sections ci-haut.)
- Si vous n'avez pas reçu la formation appropriée quant à l'entretien et la réparation d'appareils de chauffage au gaz propane, veuillez vous abstenir de faire usage de celui-ci, de tenter d'en faire l'entretien, de le réparer ou de modifier ses ajustements.
- Même si vous n'êtes pas l'utilisateur principal de l'appareil ou que vous n'êtes pas formé dans l'entretien et la réparation d'appareils de chauffage au gaz, apprenez quand même à reconnaître les odeurs caractéristiques des gaz propane et naturel.
- Une inspection périodique consistant à sentir, autour de l'appareil, de ses boyaux d'alimentation, raccords, etc.. pour y détecter la présence de fuite est une excellente initiative préventive à prendre. Si vous détectez une odeur suspecte, contactez immédiatement votre fournisseur de gaz. **Nattendez pas!**



## **MISE EN GARDE**

### **Risque de brûlure**

- Les radiateurs sont généralement silencieux lorsqu'ils sont en marche.
- Prêtez toujours attention à la distance qui vous sépare du radiateur lorsqu'il fonctionne.
- Ne touchez pas le radiateur et ne vous en approchez pas plus près de ce qui est indiqué sur la plaque signalétique et dans le guide de l'utilisateur.
- Le non-respect de cette mise en garde pourrait entraîner des brûlures et l'inflammation des vêtements, se soldant par de graves blessures.

1. Ne pas entreprendre d'installer ou d'effectuer des travaux d'entretien ou de réparation sur cet appareil ou sur la ligne d'alimentation en gaz, à moins d'être un expert qualifié dans l'utilisation et le service d'appareils au gaz.

Les compétences requises pour effectuer l'entretien ou la réparation ainsi que l'installation de cet appareil sont :

- a. Pour être reconnu comme étant une personne qualifiée dans le service d'appareils de chauffage au gaz, il faut avoir reçu la formation adéquate en plus de posséder une longue expérience dans l'utilisation et l'entretien d'appareils de chauffage au gaz. Ceci inclut les tâches d'installation, de réparation, de remplacement de pièces et de test de ce type d'appareil. Vous devez pouvoir juger du meilleur emplacement et des meilleures conditions de fonctionnement de ce type d'appareil. Vous devez avoir lu et compris les consignes de sécurité, les fiches signalétiques et le manuel de l'utilisateur de chacun des modèles avec lequel vous travaillez.
  - b. Pour être reconnu comme installateur qualifié d'appareils au gaz, vous devez avoir reçu la formation adéquate en plus de posséder une longue expérience dans tous les aspects entourant l'installation, la réparation, la modification de lignes d'alimentation de gaz en plus de pouvoir choisir et installer le bon équipement avec le bon réservoir et les lignes de gaz appropriées. Ceci doit être fait dans le plus grand respect des normes de l'industrie, des standards et règlements municipaux, provinciaux ou fédéraux ainsi que des recommandations du fabricant.
2. L'utilisation et l'installation des appareils de chauffage de L.B. White doit en tout temps répondre aux normes et réglementations en vigueur aux niveaux municipal, provincial ou fédéral. Celles-ci se réfèrent tant au gaz, à l'électricité qu'aux consignes de sécurité. Votre fournisseur local de gaz, un électricien professionnel, votre service local des incendies, les agences gouvernementales appropriées ainsi que votre agent d'assurance peuvent vous aider à connaître et à vous conformer aux normes en vigueur. Se référer également à :
    - CAN/CSA B149.1 Code d'installation du gaz propane et du gaz naturel.
  3. Le chauffage ne doit en aucun cas être dirigé vers une bouteille de gaz propane à moins de 20 pi (6 m) de distance.

4. Lorsque l'appareil de chauffage est déplacé, le déconnecter de son réservoir d'alimentation en gaz propane.
5. Avant d'utiliser l'appareil de chauffage, ses roulettes doivent être enclenchées et verrouillées en place. Les roulettes verrouillées stabilisent l'appareil de chauffage pendant son fonctionnement.
6. Ne pas déplacer l'appareil de chauffage lorsqu'il fonctionne.
7. Il nous est parfois ardu de prédire les conséquences de l'utilisation de nos appareils dans certaines conditions particulières. Communiquez avec le service des incendies de votre localité pour toute interrogation au sujet d'applications particulières.
8. Il existe d'autres normes et codes qui régissent l'utilisation d'appareils au gaz dans certaines circonstances et applications particulières. S'en informer auprès des autorités de votre localité.
9. N'utilisez que de l'air comprimé, une brosse à poils doux ou un chiffon propre pour nettoyer l'intérieur de l'appareil ainsi que ses composantes. Laisser l'appareil de chauffage refroidir complètement avant d'en effectuer le nettoyage ou l'entretien.
10. Sur les branchements filetés, toujours utiliser une pâte isolante approuvée pour une utilisation sur des branchements de gaz propane.
11. Ne pas obstruer l'apport d'air nécessaire à la combustion ainsi que l'air chaud évacué. Ne pas respecter cette consigne entraînerait une combustion incorrecte et pourraient entraîner des bris de pièces internes pouvant résulter en dommages matériels à la propriété.
12. Le tuyau de gaz doit être inspecté visuellement avant chaque utilisation de l'appareil de chauffage. Si des marques apparentes d'abrasion excessive, d'usure ou si le boyau est coupé, il doit être remplacé avant de réutiliser l'appareil. Le boyau d'alimentation en gaz doit être à l'abri d'accumulation de débris de construction ainsi que de surfaces très chaudes. L'assemblage du boyau d'alimentation doit être en tous points conformes aux spécifications du fabricant. Voir la liste de pièces.
13. Faire une vérification du bon fonctionnement de l'appareil ainsi que de la présence de fuites de gaz avant la mise en service de l'appareil ou après l'avoir déplacé. Se référer aux étapes de vérification de présence de fuites dans la section Installation du présent manuel.
14. Cet appareil devrait faire l'objet d'une inspection avant chaque utilisation par une personne qualifiée ainsi qu'au moins une fois, en détail, annuellement.
15. Toujours fermer l'alimentation en gaz si l'appareil n'est pas en utilisation pour chauffer l'aire de travail.
16. Si l'alimentation en gaz est coupée et que la flamme s'éteint; attendre au moins 5 minutes avant de rallumer l'appareil de sorte que tous gaz accumulés aient eu la chance de se dissiper.

17. Un réservoir de gaz propane d'une dimension minimale de 45 kg est requise pour l'alimentation de cet appareil. Lors de l'utilisation d'un système d'alimentation par réservoir, le système doit être conçu de manière à effectuer le retrait des vapeurs de gaz du réservoir en fonction.
18. Lors de l'entreposage de l'appareil à l'intérieur, les branchements entre le(s) réservoir(s) de gaz propane et l'appareil doivent être débranchés en plus de séparer le (s) réservoir(s) de l'appareil et l'entreposer conformément aux exigences du Code -CSA B149.1 d'installation du gaz propane et du gaz naturel.
19. Les branchements des réservoirs de gaz propane ont un filage inversé (anti-horaire). S'assurer de toujours utiliser la clé appropriée pour dévisser le raccord P.O.L. sur la valve de sortie du réservoir. Ne pas utiliser de pinces.

## Directives d'Installation

### INFORMATIONS GÉNÉRALES



#### ATTENTION

**Risque d'incendie ou d'explosion  
Peut entraîner la mort, des blessures sérieuses et des dégâts matériels .**

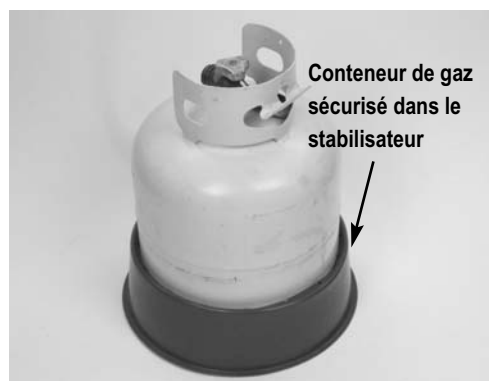
1. Pour prévenir l'accumulation dangereuse de gaz en suspension, fermer l'alimentation de gaz au niveau de la valve de sureté de l'appareil avant de procéder à l'installation, puis faire un test de détection de fuite de gaz après la fin de l'installation.
  2. Ne pas forcer le bouton de contrôle du gaz de la veilleuse. N'utiliser qu'une pression normale pour appuyer sur le bouton d'allumage de la veilleuse. N'utilisez jamais d'outils. Si le bouton ne fonctionne pas malgré une pression normale, faire remplacer le bouton de contrôle par un technicien qualifié. Une force excessive ou le fait d'essayer de réparer soi-même le bouton, peut entraîner un incendie ou une explosion.
1. Lire toutes les consignes de sécurité et suivre les recommandations de L.B. White lors de l'installation de votre appareil de chauffage. Si, au cours de l'installation ou en déplaçant l'appareil, vous constatez une anomalie ou le bris d'une pièce, contactez un technicien qualifié pour en effectuer la réparation ou le remplacement .
  2. Bien positionner l'appareil avant l'usage. Celui-ci doit être à plat, de niveau et sur une surface horizontale et stable lorsqu'il est chaud ou en opération en plus d'être à une distance sécuritaire de matériaux combustibles, tels que murs, planchers ou plafonds. Ne pas placer d'objets pouvant devenir combustibles à l'intérieur des distances sécuritaires de dégagement de l'appareil :

Dessus de l'appareil au plafond	1,0 m
Côtés et Arrière	1,0 m
Avant	1,4 m
Distance réservoir-appareil	3,05 m

#### 3. Exigences relatives à l'installation du gaz propane

- S'assurer que **tous les** L. P. conteneurs de gaz sont garantis accidentelle de basculer et sont protégés par des personnes, la circulation automobile et contact.
  - Utiliser un stabilisateur pour les petits 20/30/40 livres (9, 14,18 kg) LP conteneurs à gaz à maintenir les vérins en position verticale pendant l'utilisation et le transport. Voir Fig. 1.
- Les bouteilles de gaz propane doivent être placées sur une surface plane, stable et de niveau.

**FIG. 1**



4. Placer l'appareil ainsi que le boyau d'alimentation en gaz à l'écart des endroits plus passants. Prévoir une protection adéquate pour les tuyaux, de sorte qu'ils soient protégés des risques de bris dus à la circulation ou à la présence d'autres pièces d'équipement de construction.
5. L'appareil de chauffage est approuvé pour l'usage intérieur seulement. L'appareil de chauffage sera s'installé il n'est pas directement exposé pour arroser le spray, la pluie, ou dégoutter l'eau.

6. Le régulateur de pression du gaz de l'appareil (avec valve -soupape de pression) doit être protégé des intempéries (gel, pluie, neige) ainsi que des matériaux de construction (goudron, ciment, plâtre, etc.) qui peuvent en altérer le bon fonctionnement et causer des blessures ou des dommages matériels.
7. Les appareils utilisés dans les mêmes lieux que des toiles, polythènes, bâches ou autres toiles protectrices de semblable nature, doivent être placés à une distance minimale de 3.04 metres de ces toiles. Ces toiles doivent avoir été fixées de façon solide et sécuritaire de manière à éviter un incendie ou un mauvais fonctionnement de l'appareil due aux effets du vent sur la toile.
8. Vérifier chacun des branchements pour y détecter approuvé. Le test de présence de fuite de gaz se déroule ainsi :



### **ATTENTION**

#### **Risques d'incendie ou d'explosion**

- Ne pas utiliser de flamme nue (allumettes, torches, bougies, etc.) lors d'une vérification de fuites.
- N'utiliser que des détecteurs de fuites approuvés.
- Le non-respect de ces consignes peut résulter en un incendie ou en une explosion.
- Un incendie ou une explosion peuvent entraîner la mort, des blessures sérieuses ou des dommages matériels importants.

- Vérifier tous branchements de tuyaux d'alimentation et de lignes, connecteurs et adapteurs jusqu'au branchement de la valve de contrôle du gaz avec un détecteur de fuites
- Vérifier tous branchements de tuyaux et boyaux d'alimentation ainsi que les connecteurs et adapteurs jusqu'au branchement de la valve de contrôle du gaz avec un détecteur de fuites approuvé.
- Advenant la présence d'une fuite, vérifier la propreté et l'intégrité des pièces en cause ainsi que l'état de la pâte isolante aux branchements avant de resserrer ceux-ci à nouveau.
- Bien serrer les branchements si cela s'avère nécessaire afin d'arrêter la fuite de gaz.
- Une fois les branchements vérifiés et toutes les fuites colmatées, procéder à l'allumage du brûleur principal.
- Se tenir à une distance sécuritaire du brûleur principal lors de l'allumage pour éviter les blessures dues à la présence de fuites indétectées pouvant créer des retours de flammes.
- Alors que fonctionne le brûleur principal, vérifier tous les branchements et couplages de l'appareil, des lignes d'alimentation ainsi que les connexions d'entrée et de sortie de la valve de contrôle de l'alimentation en gaz à l'aide

d'un détecteur de fuites de gaz approuvé.

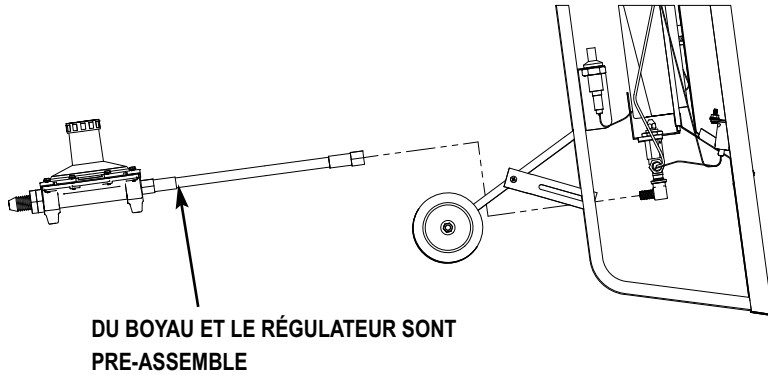
- S'il y a présence d'une fuite, vérifier la propreté des pièces en cause notamment dans le filage des joints de branchement où il pourrait y avoir quelques saletés, puis appliquer à nouveau de la pâte isolante avant de resserrer les branchements.
  - Serrer les branchements et les joints.
  - Si la fuite persiste, remplacer la pièce en cause.
  - S'assurer que toutes les fuites ont été identifiées et colmatées avant de continuer d'opérer l'appareil.
9. Une vérification de la pression du gaz doit être effectuée par le représentant d'une autorité compétente en la matière avant l'installation de l'appareil de chauffage.
  10. Allumer l'appareil selon les instructions que l'on retrouve sur celui-ci ou dans le manuel de l'utilisateur.
  11. S'assurer que l'appareil est muni du bon type de détendeur. Un détendeur doit en effet être rattaché à la source d'alimentation de gaz de manière à réguler la pression du gaz à la sortie jusqu'à la valve selon les spécifications de la fiche signalétique et ce, en tous temps. Communiquer avec votre fournisseur de gaz ou avec L.B.White Co. Inc, en cas de doutes.
  12. Cet appareil a été conçu afin de fonctionner en 13outirage de vapeur de propane, uniquement. Ne jamais l'utiliser dans des applications ayant recours à un soutirage de propane liquide. En cas d'interrogations, consulter L.B. White Co. Inc
  13. Prendre le temps de bien comprendre comment fonctionne et s'entretient cet appareil de chauffage grâce à ce manuel de l'utilisateur. Assurez-vous que vous savez comment couper l'alimentation en gaz du chauffage. Communiquez avec votre fournisseur de gaz pour toute interrogation.
  14. Toute pièce défectueuse découverte en cours d'inspection ou d'entretien doit être retirée et remplacée par une pièce neuve immédiatement. L'appareil doit alors être inspecté par une personne qualifiée avant d'être remis en opération.

---

## ASSEMBLAGE DU BOYAU D'ALIMENTATION ET DU REGULATEUR

- Raccorder l'extrémité opposée du boyau à la valve de contrôle au niveau de l'appareil de chauffage à l'aide d'un écrou. Bien serrer le raccord. Consulter la figure 2.

**FIG. 2**



---

## BRANCHEMENT DU RÉGULATEUR À L'ALIMENTATION EN GAZ PROPANE

**S'ASSURER QUE LE REGULATEUR EST INSTALLE SOUS UN CAPUCHON DE PROTECTION.**

1. Retirer le capuchon de protection du raccord P.O.L. Conserver le capuchon. Disposer le régulateur comme indiqué.
  2. Insérer le raccord P.O.L. dans la valve d'alimentation en gaz propane. Consulter la figure 3. Serrer l'écrou sur le raccord dans le sens inverse des aiguilles d'une montre sur la valve d'alimentation en gaz propane. Bien serrer l'écrou à l'aide d'une clé.
- Lors de l'entreposage ou du transport de l'appareil de chauffage, s'assurer que le capuchon est bien sur le raccord P.O.L. afin de prévenir tout dommage et d'empêcher que des saletés ne pénètrent dans le régulateur.

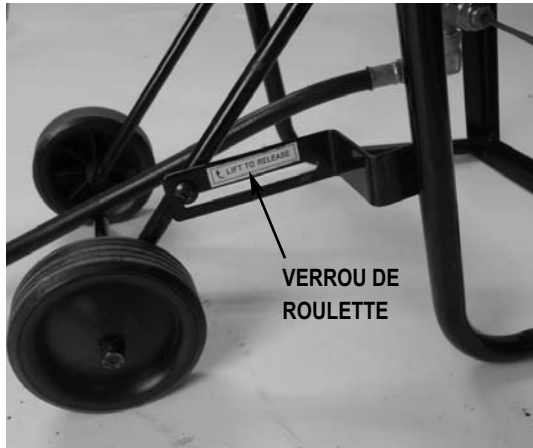
**FIG. 3**



## ROULETTES

- Faire pivoter les roulettes et appuyer sur le support des roulettes pour verrouiller celles-ci en place avant d'allumer l'appareil de chauffage. Consulter la figure 4.

**FIG. 4**



### **MISE EN GARDE**

#### **Risque d'incendie**

- Ne pas faire fonctionner l'appareil de chauffage si ses roulettes ne sont pas déployées et bien verrouillées en place.
- Si cela n'est pas le cas, l'appareil de chauffage basculera, permettant ainsi un contact direct avec des surfaces combustibles.
- Cela pourrait causer un incendie qui risquerait d'entraîner des dommages matériels, des blessures, voire la mort.

## POIGNÉE

- Pendant les déplacements **seulement**, faire pivoter la poignée vers le haut et la verrouiller en place. Consulter la figure 5.

**FIG. 5**



### **MISE EN GARDE**

#### **Risque de brûlure**

- Ne pas faire fonctionner l'appareil de chauffage si la poignée n'est pas en position verticale et verrouillée.
- Agripper la poignée pendant que l'appareil de chauffage fonctionne ou après son arrêt peut entraîner des brûlures.

---

## Directives pour l'allumage

1. Ouvrir lentement la valve d'alimentation en gaz au niveau de l'alimentation en gaz. (Cela permet de prévenir le blocage de la valve de contrôle du débit excédentaire qui se trouve dans le raccord P.O.L. du régulateur.
  2. Enfoncer complètement le bouton de la valve de contrôle tout en appuyant sur le bouton-poussoir de l'allumeur. Le brûleur s'allumera. Consulter la figure 6.
  3. Maintenir la pression sur le bouton de la valve environ 30 secondes pour permettre le réchauffement du thermocouple.
- Il faut noter que sur des installations récentes, il peut s'écouler quelques instants avant que le gaz ne chasse l'air entièrement résiduel et que le brûleur ne s'allume.
4. Relâcher le bouton de la valve de contrôle. Le brûleur restera allumé.

**FIG. 6**



---

## Directives pour l'extinction

1. Fermer toutes les valves d'alimentation en gaz.
2. Permettre à l'appareil de brûler le gaz résiduel dans la ligne d'alimentation.
3. Débrancher l'appareil de sa ligne d'alimentation en gaz.

## Directives de nettoyage



### **ATTENTION** Risque d'incendie, de brûlures et d'explosion.

- Cet appareil est muni de composants mécaniques servant à gérer les systèmes de circulation du gaz et de sûreté.
  - Ces pièces peuvent devenir inefficaces ou endommagées en présence de poussières, saletés, usure et longévité.
  - Un nettoyage et une inspection périodique en plus d'un entretien adéquat sont essentiels pour prévenir de sérieuses blessures et des dégâts importants.
  - Laisser l'appareil de chauffage refroidir complètement avant d'en effectuer le nettoyage ou l'entretien.
- 
- Donner le chauffage un nettoyage général avant chaque utilisation.



### **MISE EN GARDE**

Ne pas utiliser de l'eau ou une solution nettoyante liquide lors du nettoyage des composants des commandes, car ceci pourrait entraîner de graves blessures ou d'importants dommages matériels :

- \* l'utilisation de liquides sur les vannes de commande des gaz cause de la corrosion, ce qui pourrait entraîner des fuites de gaz et, par conséquent, des incendies ou des explosions.

Nettoyez tous les composants du radiateur à l'aide d'air sous pression, d'une brosse sèche ou d'un linge sec.

## Directives d'entretien

1. Les lieux entourant le radiateur doivent être dégagés et libres de toute matière combustible, d'essence et d'autres vapeurs et liquides inflammables.
2. Le régulateur doit être inspecté de temps à autre afin d'assurer que l'évent est entièrement dégagé. Des débris, des insectes, des nids d'insectes, de la neige ou de la glace pourraient obstruer les événements du régulateur, et ceci pourrait exercer de la pression sur le radiateur.
3. Il se pourrait que le régulateur s'use et ne fonctionne pas correctement. Demandez à votre fournisseur de gaz de vérifier les pressions de refoulement se rendant à l'appareil afin d'assurer la fiabilité du régulateur.
4. Examinez les canalisations du radiateur s'il y a présence de corrosion, de câblages d'isolation effilochés ou coupés, de raccords serrés, etc. Réparez ou remplacez les pièces au besoin.
5. Lors de l'entretien, examinez l'étiquette d'instructions du radiateur pour vérifier sa lisibilité. Assurez-vous qu'elle n'est pas coupée, déchirée ou endommagée de toute autre façon. Les étiquettes endommagées doivent être remplacées immédiatement; veuillez, pour ce faire, prendre contact avec la L.B. White Co., Inc.
6. Assurez-vous que la canalisation de gaz ne présente pas d'entailles ni de coupures et que les raccords ne sont pas corrodés et ne comportent pas de filetages rayés. Remplacez l'assemblage de la canalisation de gaz au besoin. N'essayez pas de la réparer.



# Directives pour le service

## GÉNÉRALITÉS

### **AVERTISSEMENT** Risque de brûlure

- Les surfaces de l'appareil de chauffage restent chaudes durant un certain temps après l'arrêt de l'appareil.
- On laissera l'appareil de chauffage refroidir avant de procéder à son entretien, à son nettoyage ou à sa réparation.
- A défaut de suivre cette directive, des brûlures pourraient s'ensuivre.

### **AVERTISSEMENT** Risque d'explosion et d'incendie

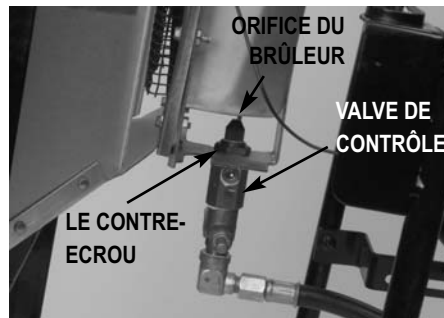
- Ne pas démonter ni tenter de réparer quelque composant que ce soit de l'appareil de chauffage ou du circuit de gaz.
- On laissera l'appareil de chauffage refroidir avant de procéder à son entretien, à son nettoyage ou à sa réparation.
- À défaut de suivre cette directive, des brûlures pourraient s'ensuivre.

1. Fermer la valve d'alimentation en gaz de l'appareil de chauffage avant de procéder à l'entretien ou à la réparation sauf s'il est nécessaire qu'elle soit ouverte pour effectuer la procédure.
2. Déconnecter la ligne d'alimentation en gaz si cela est nécessaire selon la procédure à effectuer
3. Pour réassembler le système, effectuer les étapes de la procédure dans l'ordre inverse. S'assurer que les raccords de gaz sont bien serrés.
4. Une fois la procédure d'entretien ou de réparation terminée, faire démarrer l'appareil de chauffage pour s'assurer qu'il fonctionne bien. Vérifier s'il y a présence de fuites de gaz.
5. Nettoyer le l'orifice de l'appareil de chauffage avec de l'air comprimé ou un chiffon doux et sec. Ne pas utiliser de lime, de perceuse ou autre pour nettoyer l'orifice. Ces outils peuvent agrandir le trou, ce qui causerait des problèmes de combustion ou permettrait à la flamme du brûleur de s'étendre au-delà du châssis protecteur de l'appareil. Remplacer le l'orifice s'il n'est pas possible de nettoyer les trous correctement.

## VALVE DE CONTRÔLE et ORIFICE DU BRÛLEUR

1. Déconnecter le thermocouple de la valve de contrôle.
2. Enlever le contre-écrou tel qu'illustré à la figure 7.
3. Retirer de l'appareil de chauffage la valve de contrôle et l'orifice.

FIG. 7



## INTERRUPTEUR DE BASCULEMENT

Le contacteur est normalement fermé. Elle permet d'ouvrir le circuit de la commande de sécurité du distributeur et de mise à l'arrêt du brûleur éteint si le chauffage est basculer accidentellement, déplacé au cours de l'opération, ou sur une surface inclinée.

### L'interrupteur à bascule doit être testé avant chaque utilisation.

- Placez le chauffage à fonctionnement normal
- Témoin du chauffage.
- Pointe le chauffage au moins 35 degrés. Le interrupteur doit s'ouvrir et fermer le brûleur éteint.
- Si le chauffage continue de brûler, le commutateur est défectueux et doit être remplacé.

FIG. 8



## ALLUMEUR et ÉLECTRODE

Il est nécessaire de procéder à la réparation de l'allumeur et de l'électrode lorsque aucune étincelle n'est visible au niveau de l'électrode après avoir enfoncé le bouton-poussoir de l'allumeur. Cela peut survenir après une longue période d'utilisation intensive ou s'il y a accumulation de saletés ou de poussières.

Si aucune étincelle n'est générée au niveau de l'électrode, on procédera à la vérification des éléments suivants:

### A. Allumeur

1. Retirer le fil relié au bouton-poussoir de l'allumeur.
2. Placer la pointe d'un tournevis à une distance d'environ 3 mm de l'allumeur. Voir Fig. 9
3. En tenant le tournevis par sa poignée, appuyer à plusieurs reprises sur le bouton-poussoir de l'allumeur. Si aucune étincelle ne jaillit, remplacer l'allumeur. Si une étincelle est visible, procéder à la réparation de l'électrode.

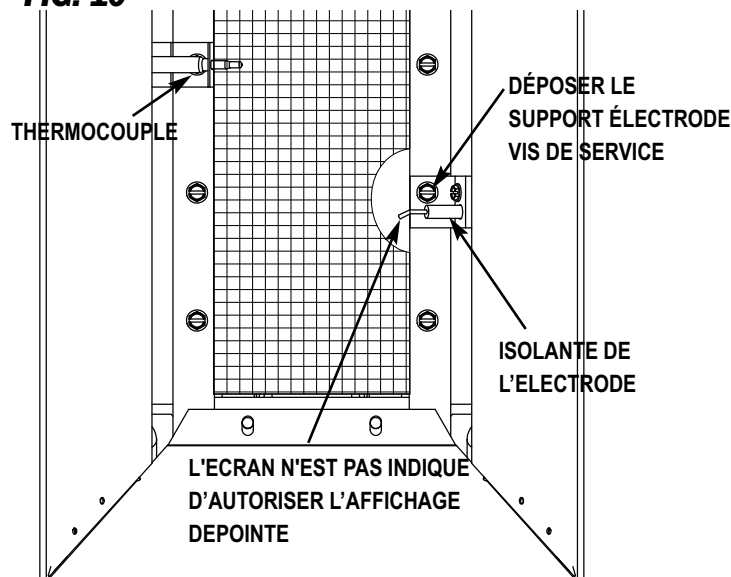
FIG. 9



### B. Electrode

1. S'assurer que le fil reliant l'électrode à l'allumeur est bien branché.
2. Vérifier l'état du fil pour y déceler toute coupure, entaille ou défaillance. Celles-ci empêchent la formation d'une étincelle à l'extrémité de l'électrode. Remplacer l'électrode si cela est nécessaire. L'électrode et le fil sont vendus ensemble.
3. Pointe de l'électrode est de 4,7 mm à partir de l'écran brûleur.
4. Si nécessaire, retirer l'électrode et nettoyer sa pointe avec de la toile émeri ou laine d'acier. Voir Fig. 9.
5. S'assurer que la gaine isolante de l'électrode n'est pas fissurée et que la tige de l'électrode n'est pas mobile à l'intérieur de son enveloppe protectrice. Voir Fig. 10. Si tel est le cas, remplacer l'électrode.

FIG. 10

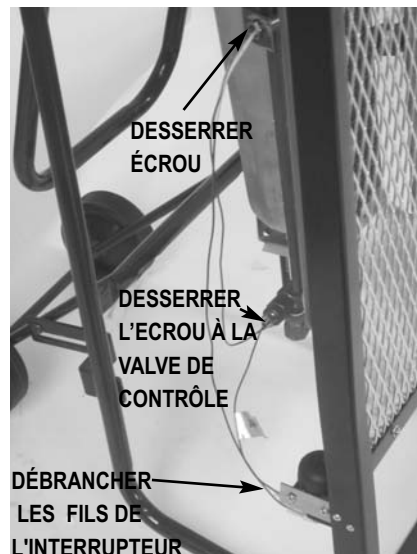


## THERMOCOUPLE

Il se peut que l'on doive remplacer le thermocouple si le brûleur s'éteint après une période prolongée de chauffage du thermocouple. Heure normale pour la période de préchauffage de 30 secondes à 1 minute.

1. Voir Fig. 11 pour emplacement des thermocouples et instructions.
2. Pour déterminer si le thermocouple est défectueux:
  - Brancher l'interrupteur à bascule même conjointement avec un fil.
  - Brancher un ohmmètre entre les points du thermocouple et son bouton contact précédemment connecté à contrôle de la sécurité)
  - Un bon thermocouple donnera un certain niveau de résistance de bout en bout.
  - Un thermocouple défectueux indiquera une surcharge ou une résistance infinie sur le multimètre

FIG. 11



## VÉRIFICATION DE LA PRESSION DE GAZ

- Cette vérification doit être effectuée une fois l'an avant le début de la saison froide, après chaque déplacement de l'appareil ainsi qu'après un entretien.

### **ATTENTION**

- Ne pas démonter la valve de contrôle de la veilleuse.
- Ne remplacez aucune composante de la valve de contrôle de la veilleuse.
- La valve de contrôle de la veilleuse doit être entièrement remplacée advenant tout dommages.
- Ne pas tenir compte de cet avertissement risque fortement d'entraîner des blessures graves, la mort ainsi que d'importants dégâts matériels.

### **MATÉRIEL REQUIS**

(À se procurer localement)

<b>Quantité</b>	<b>Description</b>
1	Manomètre de gaz numero de piece 00764.

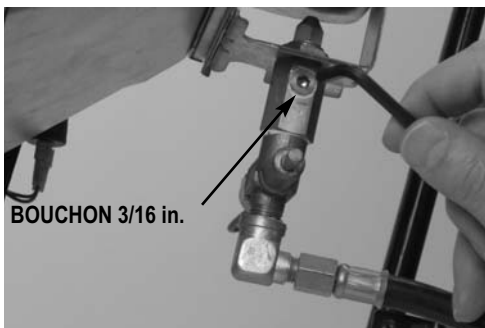
#### **A. PREPARATION**

1. Fermer la valve d'alimentation du réservoir de propane vers l'appareil.
2. Permettre à l'appareil de brûler le gaz résiduel dans la ligne d'alimentation.
3. Mettre la valve de contrôle de la chaleur sur sa position minimum.
4. Retirer le chassis de l'appareil.

#### **B. INSTALLATION DU MANOMÈTRE**

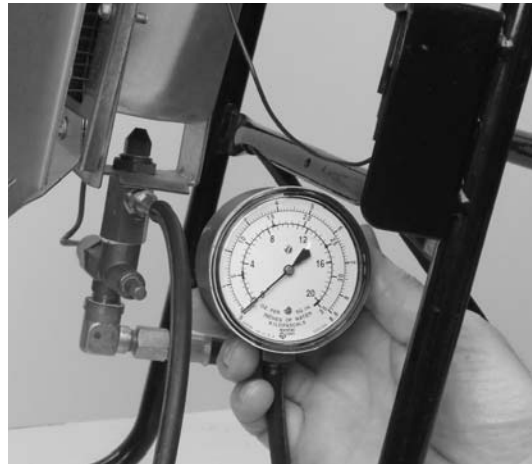
1. Déposer le bouchon à la valve de contrôle. Consulter la figure 12.

**FIG. 12**



2. Installer un coude de 1/8 po et un manomètre à cet endroit. Consulter la figure 13.

**FIG. 13**



3. Ouvrir les valves d'alimentation en gaz vers l'appareil.

#### **C. LECTURES DE PRESSION**

1. Allumer l'appareil de chauffage. Mettre la valve de contrôle du débit de gaz sur sa position maximum. Lors du fonctionnement de l'appareil, le manomètre devrait mesurer une pression correspondant à la valeur indiquée sur la plaque signalétique ou dans la section portant sur les spécifications de ce manuel de l'utilisateur
2. Les lectures de pression coïncident-elles avec la fiche signalétique? Si oui, aucune autre vérification ou ajustements ne sont nécessaires. Veuillez vous rendre directement à la section D.
3. Si les lectures de pression ne correspondent pas aux spécifications de la fiche signalétique alors effectuer les vérifications suivantes :
  - Régulateur inapproprié pour cet appareil.
  - Le régulateur de l'appareil est défectueux ou imprécis (changer au besoin).
  - Obstruction dans la ligne d'alimentation en gaz.
  - Mauvaise dimension ou nombre insuffisant de réservoirs de gaz propane.

#### **D. CONCLUSION**

1. Lorsque les pressions requises ont été observées, fermer l'alimentation en gaz vers l'appareil.
2. Permettre à l'appareil de brûler le gaz résiduel dans la ligne d'alimentation.
3. Enlever le coude et le manomètre.
4. Installer le capuchon hexagonal sur la valve de contrôle, puis bien serrer celui-ci.
5. Vérifier qu'il n'y a aucune fuite de gaz.

# Dépannage

<u>PROBLÈMES</u>	<u>CAUSES</u>	<u>SOLUTIONS</u>
1. Le brûleur ne s'allume pas.	<ul style="list-style-type: none"><li>* Le réservoir de propane est vide.</li><li>* Ligne d'alimentation fermée.</li><li>* La valve de contrôle du débit excédentaire du P.O.L. du régulateur est fermée.</li><li>* Le bouton de la valve de contrôle n'est pas pressé à fond.</li><li>* L'orifice du brûleur est obstrué.</li><li>* Obstruction dans la ligne d'alimentation de gaz ou dans la ligne de la veilleuse.</li><li>* Présence d'air dans la ligne d'alimentation en gaz.</li><li>* Le module d'alimentation électrique du mécanisme de contrôle du gaz de la veilleuse est défectueux.</li><li>* Électrode ou allumeur Piezo-électrique défectueux.</li></ul>	<ul style="list-style-type: none"><li>* Remplir le réservoir.</li><li>* Ouvrir la ligne d'alimentation en gaz.</li><li>* Fermer la valve du réservoir de propane. Attendre 5 minutes, puis ouvrir la valve du réservoir de propane de nouveau, très lentement.</li><li>* Appuyer à fond sur le bouton de la valve de contrôle</li><li>* Nettoyer ou remplacer le orifice.</li><li>* Débrancher la ligne d'alimentation en gaz de l'appareil ou celle de la veilleuse et débloquer à l'aide d'air comprimé ou remplacer la (les) ligne (s).</li><li>* Appuyer à fond sur le bouton-poussoir de la veilleuse ( habituellement de 15 à 20 secondes suffisent) situé sur la valve de contrôle de la veilleuse, pour purger l'air hors de la ligne. (Souvent requis au moment de l'installation initiale.)<b>REMARQUE: s'assurer que l'on appuie sur le bouton-poussoir de l'allumeur piézoélectrique pendant cette période pour éviter que l'accumulation de gaz.</b></li><li>* Remplacer la valve de contrôle de la veilleuse en entier.</li><li>* Se référer à la section de l'entretien de l'électrode du présent manuel pour les problèmes associés au système d'allumeur Piezo-électrique.</li></ul>
2. Le brûleur allume mais s'éteint lorsque la pression sur le bouton-poussoir de la valve de contrôle est relâché.	<ul style="list-style-type: none"><li>* Obstruction de la ligne d'alimentation en gaz</li><li>* Temps insuffisant alloué à la veilleuse pour réchauffer adéquatement le thermocouple.</li><li>* Thermocouple déserré.</li><li>* Thermocouple défectueux.</li><li>* L'orifice du brûleur est obstrué.</li><li>* Valve de contrôle défectueuse.</li><li>* Pression de gaz insuffisante.</li><li>* L'interrupteur de basculement est ouvert.</li></ul>	<ul style="list-style-type: none"><li>* Se référer aux directives pour le même problème à l'item # 1 ci-haut.</li><li>* Maintenir la pression sur le bouton-poussoir de la valve de contrôle pendant 30 secondes pour permettre un réchauffement approprié.</li><li>* Serrer adéquatement le thermocouple aux contrôles du gaz en s'assurant qu'il est bien inséré dans le support de la veilleuse. Serrer d'abord à la main, puis à l'aide d'une clé appropriée.</li><li>* Remplacer le thermocouple.</li><li>* Se référer aux directives pour le même problème à l'item # 1 ci-haut.</li><li>* Remplacez la valve de contrôle.</li><li>* Régler les niveaux de pression selon les indications de la fiche signalétique.</li><li>* S'assurer que l'appareil de chauffage est au niveau. S'il est au niveau, l'interrupteur de basculement est défectueux.</li></ul>

### PROBLÈMES

3. L'appareil ne semble pas émettre toute la chaleur désirée.

### CAUSES

- \* La valve de contrôle du débit de gaz n'est pas ouverte au maximum.
- \* L'orifice du brûleur est obstrué.
- \* La pression d'alimentation en gaz est faible.

### SOLUTIONS

- \* La valve sur l'ouverture maximale
- \* Nettoyer le barillet d'orifices du brûleur avec de l'air comprimé ou remplacer celui-ci.
- \* Consulter le fournisseur de gaz propane. La bouteille ou le réservoir doit être rempli ou remplacé. Le régulateur nécessite un ajustement. Vérifier que le régulateur et le gaz employés correspondent aux exigences de l'appareil

---

## **Fonction des différentes composantes de l'appareil**

### **BRÛLEUR**

Composantes où a lieu la combustion du gaz alimentant l'appareil.

### **ORIFICE DU BRÛLEUR**

Instrument de régulation en laiton qui alimente le brûleur en combustible à un débit spécifique et selon une pression appropriée.

### **ÉLECTRODE**

Composante servant à enflammer le gaz grâce à l'étincelle qu'elle produit. Reçoit le voltage d'allumage approprié de l'allumeur Piezo.

### **LIGNE D'ALIMENTATION EN GAZ**

Boyau flexible servant à acheminer le gaz de la source d'alimentation principale ou d'un réservoir jusqu'à l'appareil.

### **ALLUMEUR PIEZO**

Composante générant le voltage requis à l'allumage lorsque le bouton de l'allumeur a été pressé. Ce voltage est dirigé vers l'électrode de manière à provoquer une étincelle.

### **RÉGULATEUR**

La pièce maîtresse de tout système alimenté au gaz. Utilisé pour fournir une pression de gaz appropriée à l'appareil sous différentes conditions variantes à la source (réservoir).

### **VALVE DE CONTRÔLE**

Valve de contrôle du gaz maintenue ouverte par alimentation électrique générée par le thermocouple de la veilleuse qui se ferme automatiquement pour couper le débit de gaz au brûleur principal lorsque la flamme de la veilleuse s'éteint ou devient trop faible pour allumer le brûleur principal.

### **THERMOCOUPLE**

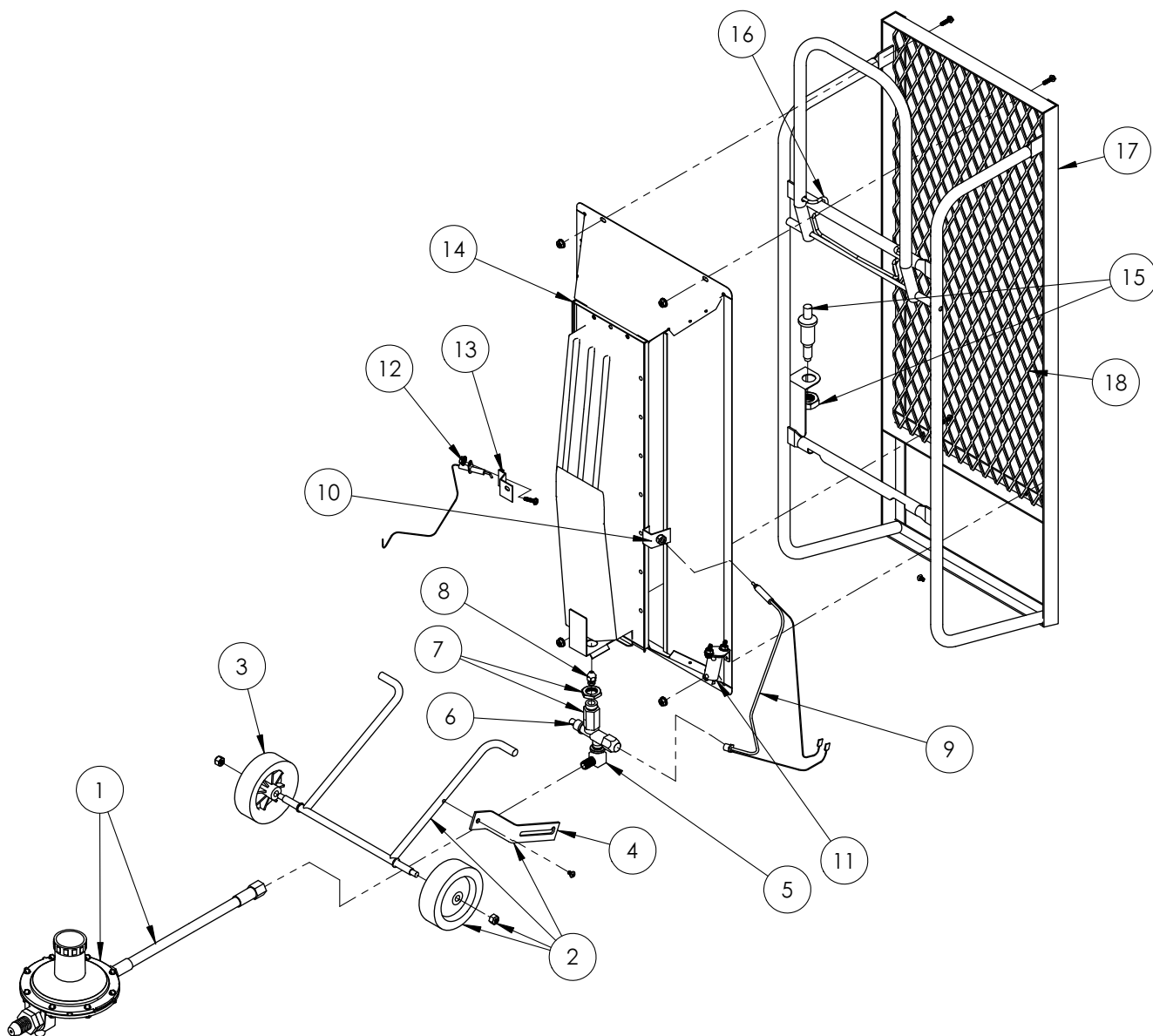
Un instrument thermoélectrique qui transforme directement la chaleur en électricité. Fonctionne en lien direct avec un électro-aimant situé dans la valve de contrôle du gaz permettant ainsi de maintenir le débit de gaz vers la veilleuse.

### **INTERRUPTEUR DE BASCULEMENT**

Le contacteur est normalement fermé. Elle permet d'ouvrir le circuit de la commande de sécurité du distributeur et de mise à l'arrêt du brûleur éteint si le chauffage est basculer accidentellement, déplacé au cours de l'opération, ou sur une surface inclinée.

# Identification des pièces composantes

## SCHEMA DES PIECES COMPOSANTES



---

## LISTE DES PIÈCES COMPOSANTES

<b>Item</b>	<b>Description</b>	<b>Numéro de la pièce</b>
1	Régulateur avec ligne d'alimentation en gaz	573255
2	Essieu avec roulettes	573259
3	Roulette	573258
4	Verrou de roulette	573260
5	Adaptateur de ligne d'alimentation en gaz	573315
6	Valve de contrôle	573250
7	Manifold	573311
8	Orifice du brûleur	573252
9	Thermocouple	573253
10	Support du thermocouple	573263
11	Interrupteur de basculement	573254
12	Électrode	573256
13	Support de l'électrode	573316
14	Assemblage du brûleur	573251
15	Allumeur piézoélectrique avec écrou	573257
16	Verrouillage de la poignée	573261
17	Assemblage du châssis	573262
18	L'écran sur l'ensemble du châssis	573307

---

## Garantie

### Équipement

---

L.B. White garantit que les composantes de ses appareils de chauffage sont exempts de tout défauts liés à la fabrication ou à la main d'œuvre lorsqu'installés, utilisés et entretenus selon les directives d'installation et d'entretien, ainsi que des consignes de sécurité émises et des étiquettes et fiches fournies avec chaque appareil. Si, **dans un délai de 24 mois de la date d'acquisition de l'appareil**, une composante venait à faire défaut, L.B. White Co. Inc. s'engage à sa prérogative, à réparer ou à remplacer la pièce défectueuse ou l'appareil de chauffage avec une composante neuve ou un nouvel appareil, F.O.B. Onalaska, Wisconsin, É-U.

L'enregistrement de votre produit en ligne avec L.B. White

qualifiera automatiquement une unité et ses composants afin qu'ils soient pris en compte au titre de la garantie. Si un produit n'a pas été enregistré chez L.B. White, une copie du contrat de vente sera requise afin qu'un produit soit admissible. Si aucune des conditions n'est satisfaite, la période de garantie est de 24 mois à partir de la date d'expédition par L.B. White.

### Pièces

---

La société L.B.White Co. Inc. garantie que les pièces de remplacement vendues par la compagnie et utilisés dans l'appareil de chauffage de L.B. White approprié, sont exemptes de tout défauts liés à la fabrication ou à la main d'œuvre **pour une période de douze (24 mois), calculée à partir de l'achat de la pièce par l'utilisateur final**. La garantie s'applique automatiquement si une pièce s'avérait défectueuse à l'intérieur d'une période de 24 mois débutant à la date-code inscrite sur ladite pièce. Si la défectuosité survient plus de 24 mois après la date-code mais néanmoins à l'intérieur d'une période de 24 mois suivant l'achat de la pièce par l'utilisateur final, une copie de la facture sera exigée pour établir l'application ou non de la garantie.

La garantie énoncé ci-haut est la seule garantie offerte par L.B.White et ainsi, toute autre garantie directe ou tacite, commercialité ou utilisation pour une utilité particulière sont implicitement couvertes par la présente. Dans l'éventualité d'une garantie tacite, en vigueur par force de loi, non décrite par la présente, celle-ci sera limitée dans son application à la durée énoncée ci-haut en des conditions similaires. Les

recours énoncés ci-haut sont les seuls recours applicables en cas de réclamation. L.B. White ne peut être tenu responsable pour tout dommage accessoire ou indirect reliés directement ou non à la vente, la manutention ou l'utilisation de l'appareil de chauffage. En tout temps, la responsabilité de L.B.White vis à vis de ses appareils de chauffage, incluant des réclamations découlant d'une négligence, ou d'une stricte responsabilité, ne sera limité qu'au coût d'achat de l'appareil.

Certains états ne permettent pas de fixer une date de péremption pour une garantie tacite, d'où la possibilité que cette dérogation puisse possiblement s'appliquer à l'endroit où vous vivez. Certains états ne permettent pas de définir une limite quant aux dommages accessoires ou indirects d'où la possibilité que cette dérogation puisse possiblement s'appliquer à l'endroit où vous vivez. Cette garantie vous procure certains droits en plus des lois en vigueur dans l'état ou la province où vous demeurez.

Pour enregistrer votre produit et assurer la pleine garantie, veuillez vous rendre sur <http://www.lbwhite.com/product-registration>. Veuillez avoir les numéros de série et les modèles à portée de main pour les produits que vous enregistrez.

---

## Pièces de remplacement et service

Contactez votre détaillant autorisé L.B.White pour tout appel de service ou pour commander des pièces de remplacement. Vous pouvez communiquer avec L.B. White Co. Inc. au 1-800-345-7200. Assurez-vous d'avoir en main au moment de l'appel, le numéro de modèle et de configuration de votre appareil.