

TITLE:				
EPL-24-2L-SFC				
	NAME	SIZE	DWG. NO.	REV
	CHRIS THAUER	A		
	CHECKED			
	JEREMY BLANKENSHIP			
	SCALE: 1:8			SHEET 1 OF 1

PROPRIETARY AND CONFIDENTIAL
 THE INFORMATION CONTAINED IN THIS DRAWING IS THE SOLE PROPERTY OF LARSON ELECTRONICS LLC. ANY REPRODUCTION IN PART OR AS A WHOLE WITHOUT THE WRITTEN PERMISSION OF LARSON ELECTRONICS LLC IS PROHIBITED.

DIMENSIONS ARE IN INCHES		DRAWN	NAME	
		CHRIS THAUER	SIZE	DWG. NO.
MATERIAL		CHECKED	JEREMY BLANKENSHIP	REV
DO NOT SCALE DRAWING				

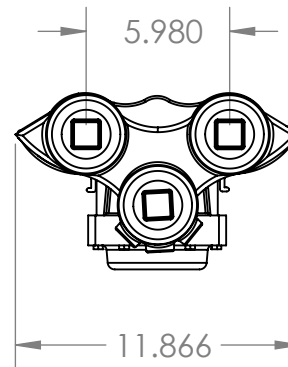
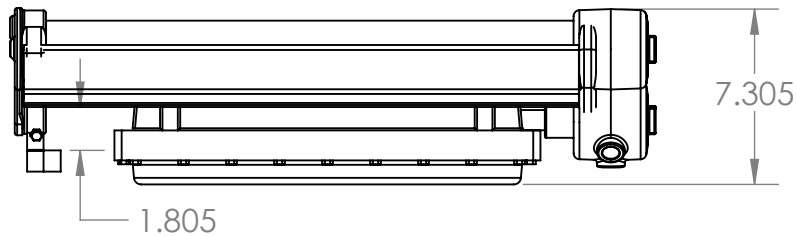
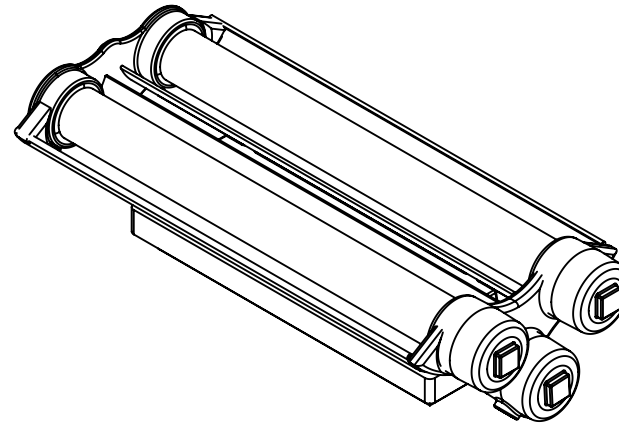
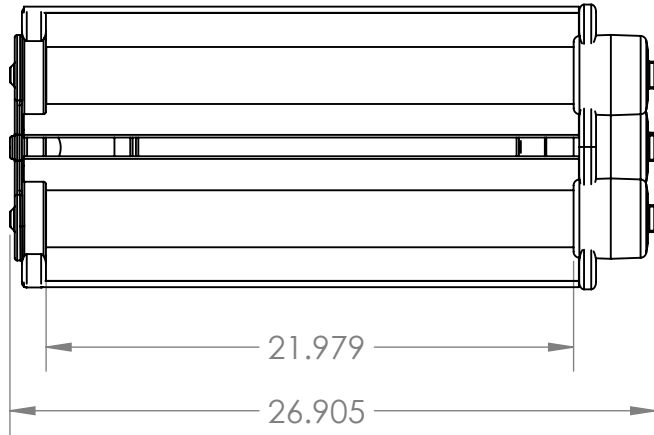
5

4

3

2

1



TITLE:				
EPL-24-2L-PND				
	NAME	SIZE	DWG. NO.	REV
	CHRIS THAUER	A		
	CHECKED			
	JEREMY BLANKENSHIP			
DO NOT SCALE DRAWING		SCALE: 1:8		SHEET 1 OF 1

PROPRIETARY AND CONFIDENTIAL
 THE INFORMATION CONTAINED IN THIS DRAWING IS THE SOLE PROPERTY OF LARSON ELECTRONICS LLC. ANY REPRODUCTION IN PART OR AS A WHOLE WITHOUT THE WRITTEN PERMISSION OF LARSON ELECTRONICS LLC IS PROHIBITED.

5

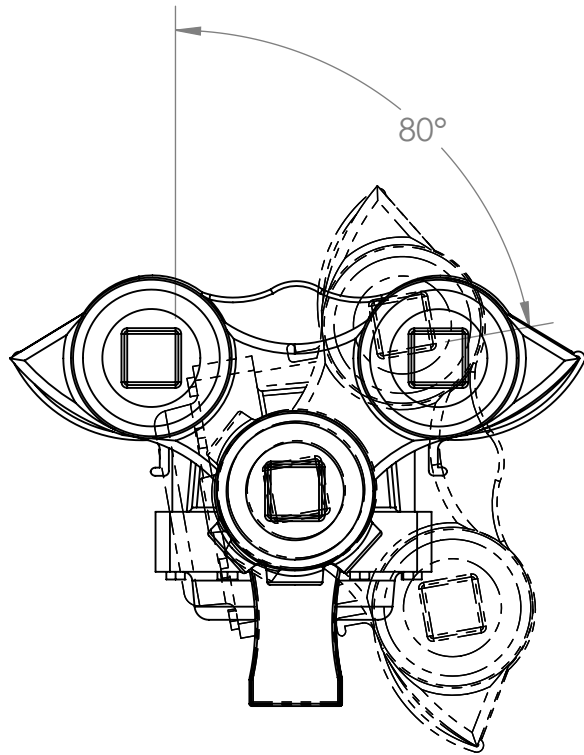
4

3

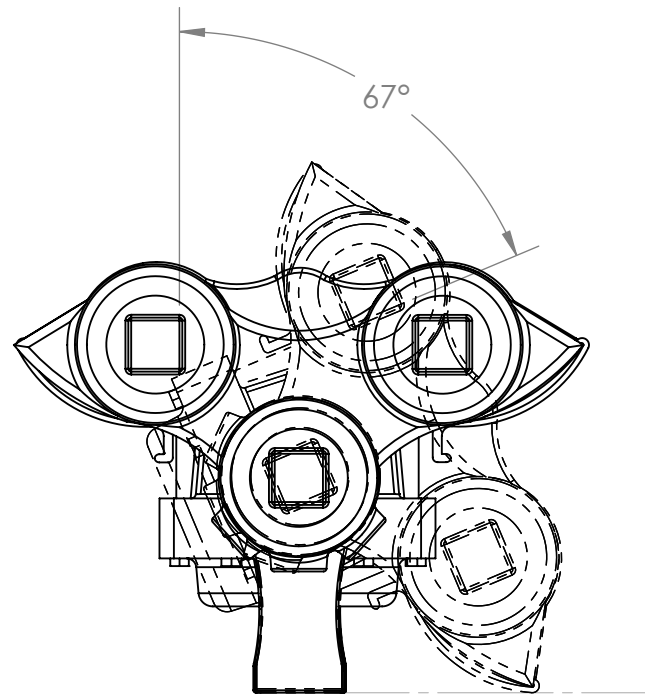
2

1

TILTED TO SURFACE MOUNT



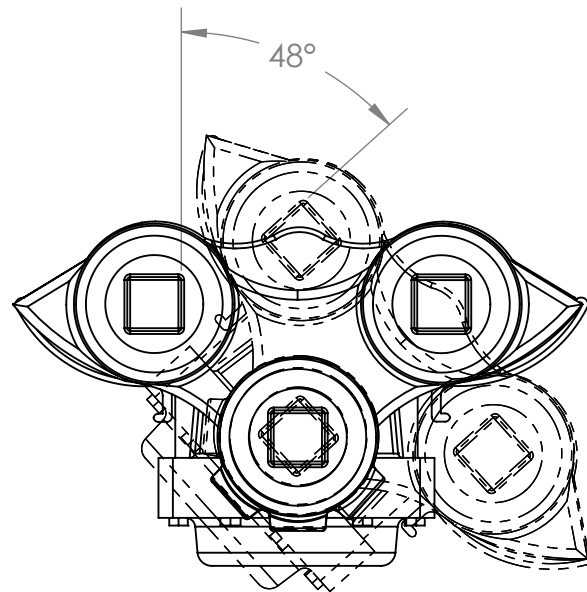
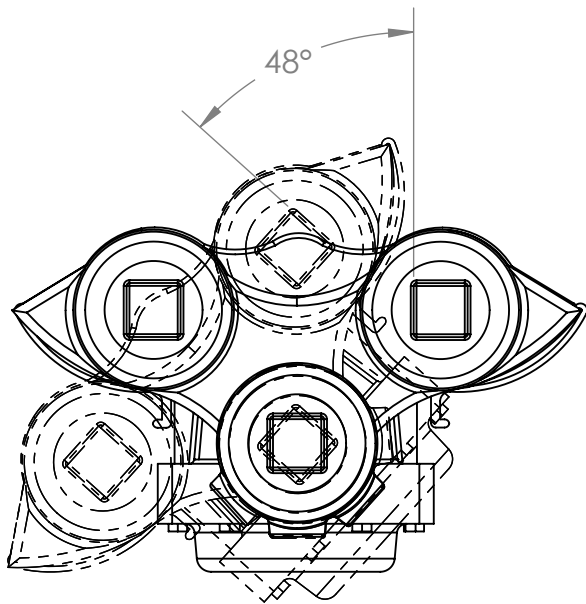
TILTED TO A WALL



PROPRIETARY AND CONFIDENTIAL
 THE INFORMATION CONTAINED IN THIS DRAWING IS THE SOLE PROPERTY OF LARSON ELECTRONICS LLC. ANY REPRODUCTION IN PART OR AS A WHOLE WITHOUT THE WRITTEN PERMISSION OF LARSON ELECTRONICS LLC IS PROHIBITED.

DIMENSIONS ARE IN INCHES		DRAWN	CHRIS THAUER	SIZE	DWG. NO.	REV
MATERIAL		CHECKED	JEREMY BLANKENSHIP	A		
DO NOT SCALE DRAWING				SCALE: 1:4		SHEET 1 OF 1

TITLE:
EPL-24-2L-SFC
MAXIMUM TILTING ANGLES



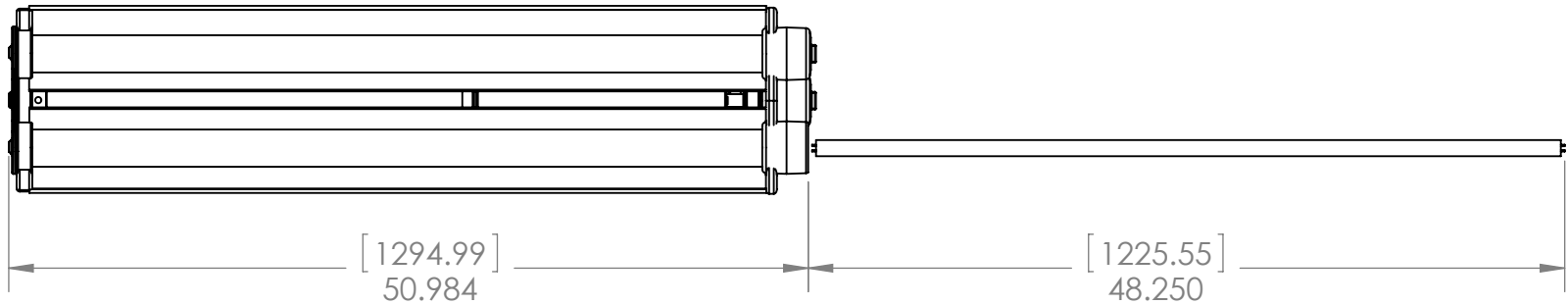
PROPRIETARY AND CONFIDENTIAL
 THE INFORMATION CONTAINED IN THIS DRAWING IS THE SOLE PROPERTY OF LARSON ELECTRONICS LLC. ANY REPRODUCTION IN PART OR AS A WHOLE WITHOUT THE WRITTEN PERMISSION OF LARSON ELECTRONICS LLC IS PROHIBITED.

DIMENSIONS ARE IN INCHES		DRAWN	CHRIS THAUER	SIZE	DWG. NO.	REV
MATERIAL		CHECKED	JEREMY BLANKENSHIP	A		
DO NOT SCALE DRAWING				SCALE: 1:4		SHEET 1 OF 1

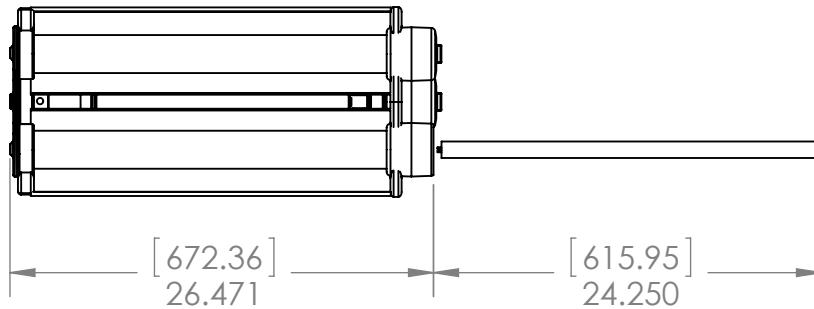
TITLE:

**EPL-24-2L-PND
 TILTING ANGLES**

EPL-48-2L Series

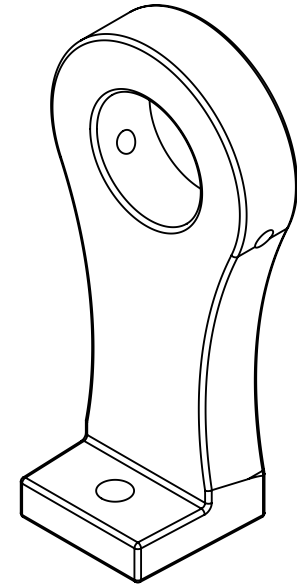
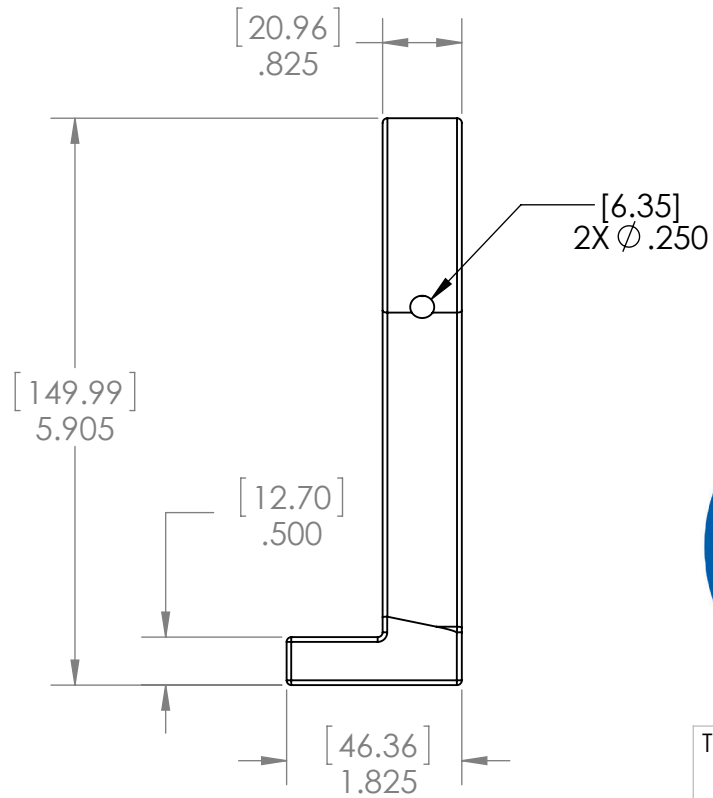
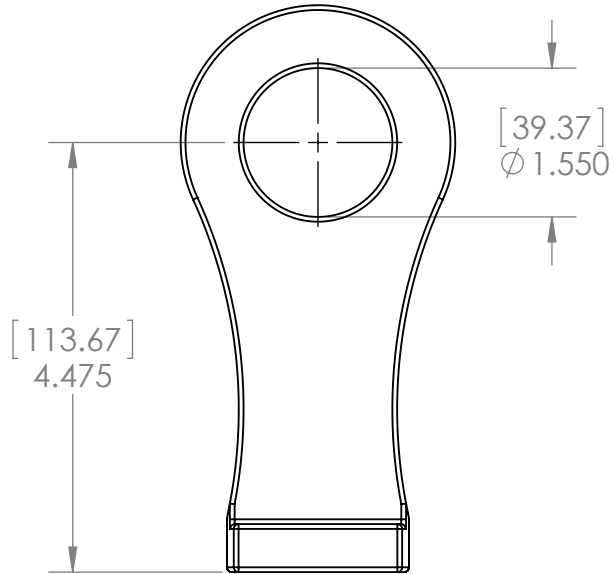
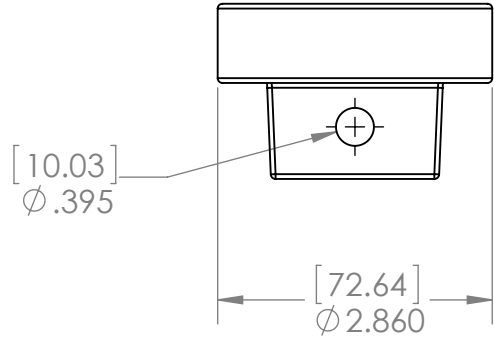


EPL-24-2L Series



TITLE:			
EPL Series Relamping			
NAME	SIZE	DWG. NO.	REV
CHRIS THAUER	A		
DIMENSIONS ARE IN INCHES	DRAWN	DO NOT SCALE DRAWING	
MATERIAL	CHECKED	SCALE: 1:12	
		SHEET 1 OF 1	

PROPRIETARY AND CONFIDENTIAL
 THE INFORMATION CONTAINED IN THIS DRAWING IS THE SOLE PROPERTY OF LARSON ELECTRONICS LLC. ANY REPRODUCTION IN PART OR AS A WHOLE WITHOUT THE WRITTEN PERMISSION OF LARSON ELECTRONICS LLC IS PROHIBITED.



PROPRIETARY AND CONFIDENTIAL
 THE INFORMATION CONTAINED IN THIS DRAWING IS THE SOLE PROPERTY OF LARSON ELECTRONICS LLC. ANY REPRODUCTION IN PART OR AS A WHOLE WITHOUT THE WRITTEN PERMISSION OF LARSON ELECTRONICS LLC IS PROHIBITED.

DIMENSIONS ARE IN INCHES		DRAWN	CHRIS THAUER
MATERIAL		CHECKED	JEREMY BLANKENSHIP
DO NOT SCALE DRAWING			

NAME	
CHRIS THAUER	
JEREMY BLANKENSHIP	

TITLE:			
EPL SURFACE MOUNT EPL-4824-SFC			
SIZE	DWG. NO.	REV	
A			
SCALE: 1:2		SHEET 1 OF 1	

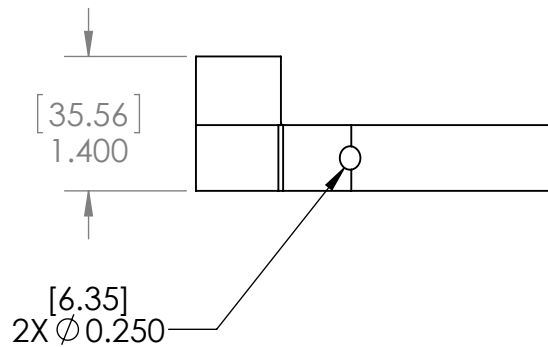
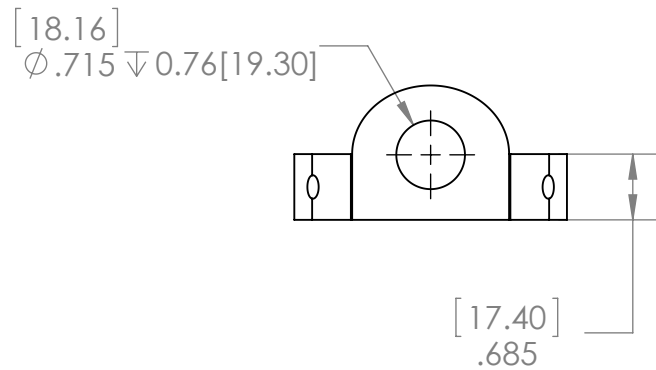
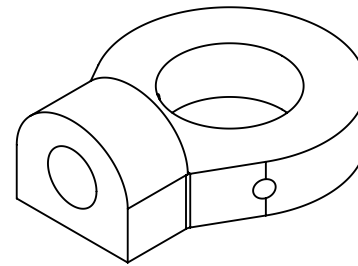
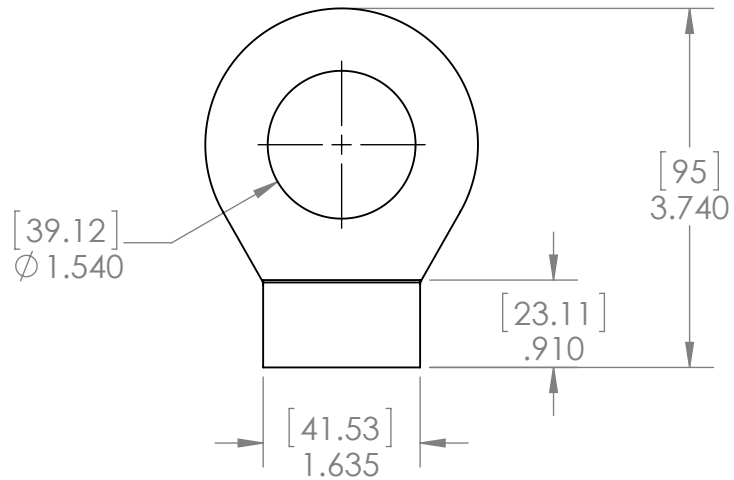
5

4

3

2

1



PROPRIETARY AND CONFIDENTIAL
 THE INFORMATION CONTAINED IN THIS DRAWING IS THE SOLE PROPERTY OF LARSON ELECTRONICS LLC. ANY REPRODUCTION IN PART OR AS A WHOLE WITHOUT THE WRITTEN PERMISSION OF LARSON ELECTRONICS LLC IS PROHIBITED.

DIMENSIONS ARE IN INCHES		DRAWN	CHRIS THAUER
MATERIAL		CHECKED	JEREMY BLANKENSHIP
DO NOT SCALE DRAWING			

NAME	
CHRIS THAUER	
JEREMY BLANKENSHIP	

TITLE:			
EPL PENDANT MOUNT			
EPL-4824-PND			
SIZE	DWG. NO.	REV	
A			
SCALE: 1:2		SHEET 1 OF 1	