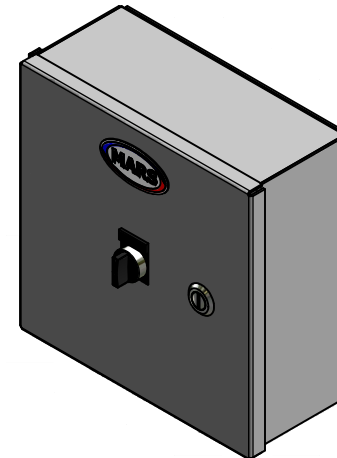
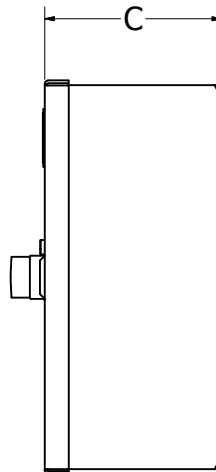
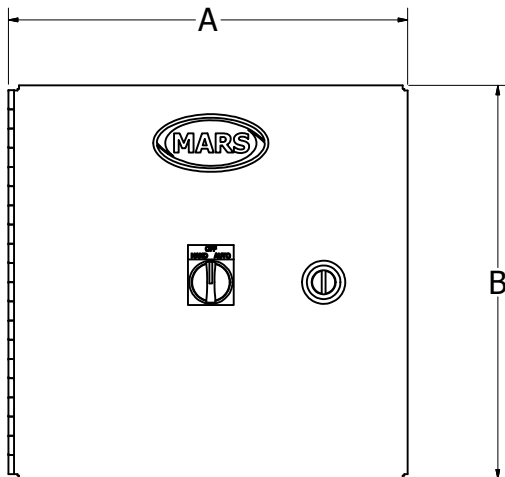
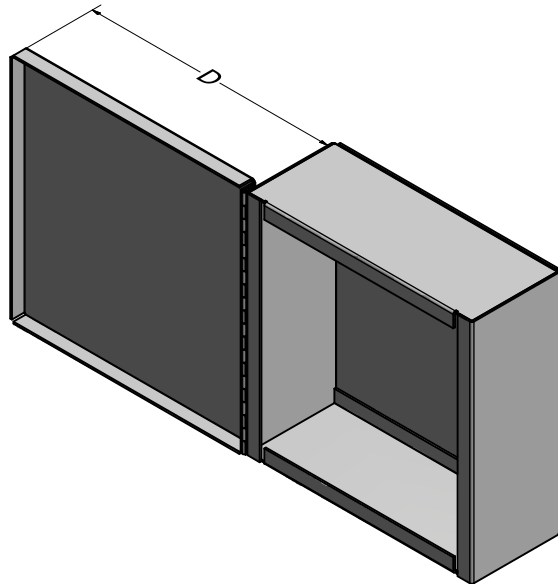


TABLE				
Motor Number	A	B	C	D
	Length	Height	Width	Door Clearance
1	10	10	6	10
2	10	10	6	10
3	12	12	6	12
4*	12	12	6	12
5*	-	-	-	-
6*	-	-	-	-

* Contact Factory for Exact Sizes & Dimensions



Notes:

1. NEMA 1 Gray Enclosure with Hand-Off-Automatic (HOA) Switch and Quarter Turn Latch Standard. All other special NEMA ratings and finishes are available. Please contact factory for details.
2. Access panel hinged for easy access when servicing.
3. Standard panel dimensions shown. The panel dimensions may vary per manufacturer and with the addition of certain options. Contact the factory if exact dimensions are required.
4. Motor Contactor, Control Transformer*, Transformer Fuses*, Motor OL or MP, HOA Switch and Terminal Strip standard. (* - if required)
5. Please specify input voltage. Control voltage is 120V standard, specify other when ordering.
6. Hands-Off-Automatic Switch Operation
 Hand: Unit will operate with door open, closed or without door limit switch
 Off: Unit will not operate
 Auto: Unit will operate when door opens and stop when door is closed

DRAWN peters	5/17/2010	TITLE	
CHECKED		MARS AIR SYSTEMS 14716 South Broadway, Gardena, CA 90248 Phone: 310-532-1555 FAX: 310-324-3030	
QA		SIZE	DWG NO
MFG		C	CP-001-001
APPROVED		SCALE	REV
		SHEET 1 OF 1	



AIR SYSTEMS

14716 SOUTH BROADWAY, GARDENA, CA 90248 •TEL:(310) 532-1555 •FAX:(310) 324-3030

MARS MOTOR CONTROL PANEL PRODUCT NOMENCLATURE

MOTOR HORSEPOWER

- A - 1/2 B - 1
- C - 2 D - 3
- E - 5 F - 7
- G - 7 1/2 H - 10
- I - 15 J - 20
- K - 25 L - 30
- M - 40 P - 1 & 3
- S - *SPECIAL

HEATED OPTION

- U - UNHEATED
- E - ELECTRIC
- V - HOT WATER or STEAM
- I - INDIRECT FIRED GAS

MCP

MARS CONTROL PANEL

B

1

NUMBER OF MOTORS

U

A

VOLTAGE / PHASE

- A - 115V 1 Phase
- D - 208/230V 1 Phase
- G - 208/230V 3 Phase
- H - 460V 3 Phase
- I - 575V 3 Phase
- J - 380V 3 Phase

* SPECIFY ANY SPECIAL FEATURE, SUCH AS;

- I - Enclosure other than NEMA 1
- II - Control voltage other than 115V
- III - Split panel, two or more air curtains

EXAMPLE MCPD-1UA

Example: one 3 hp motor, 115V, 1 phase service with Hand-Off-Auto selector switch in the cover, NEMA 1 enclosure.