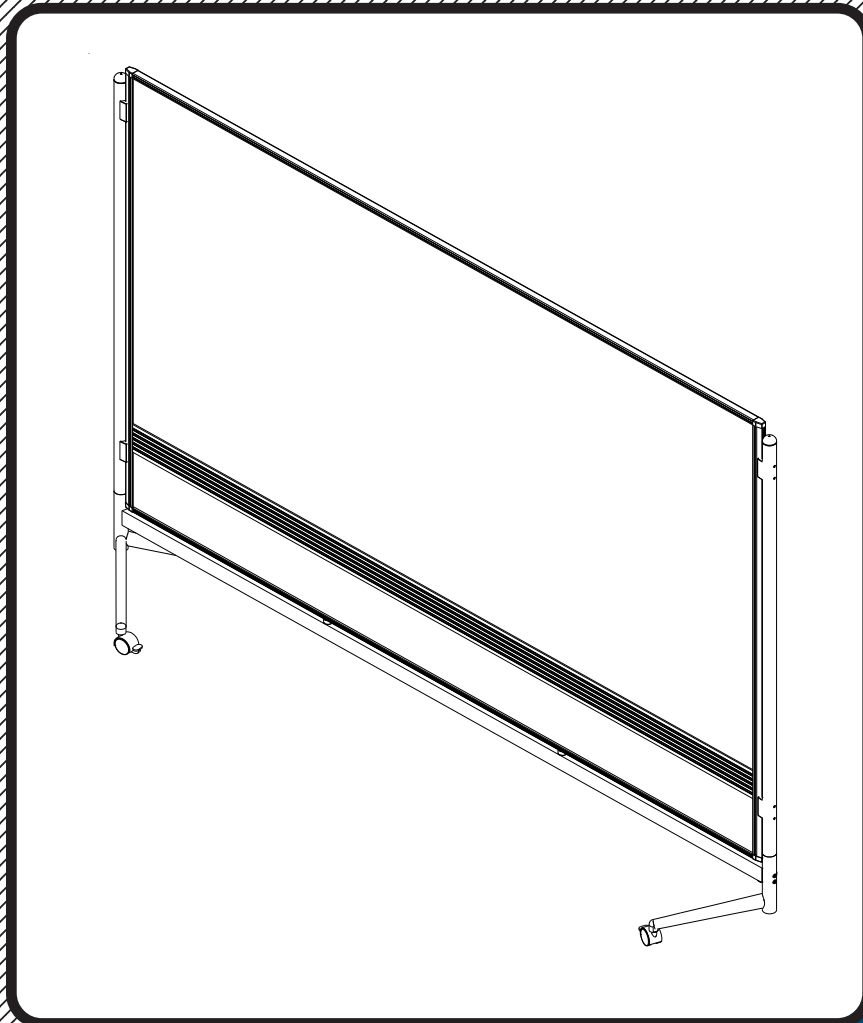


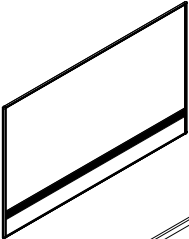
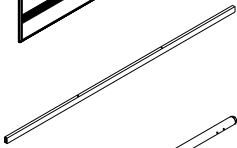
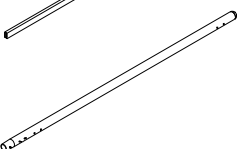
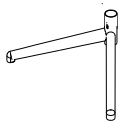

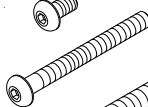
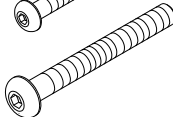

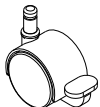
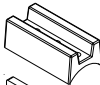





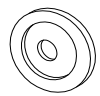



DOC Room Divider



Assembly Instructions

DOC Room Divider

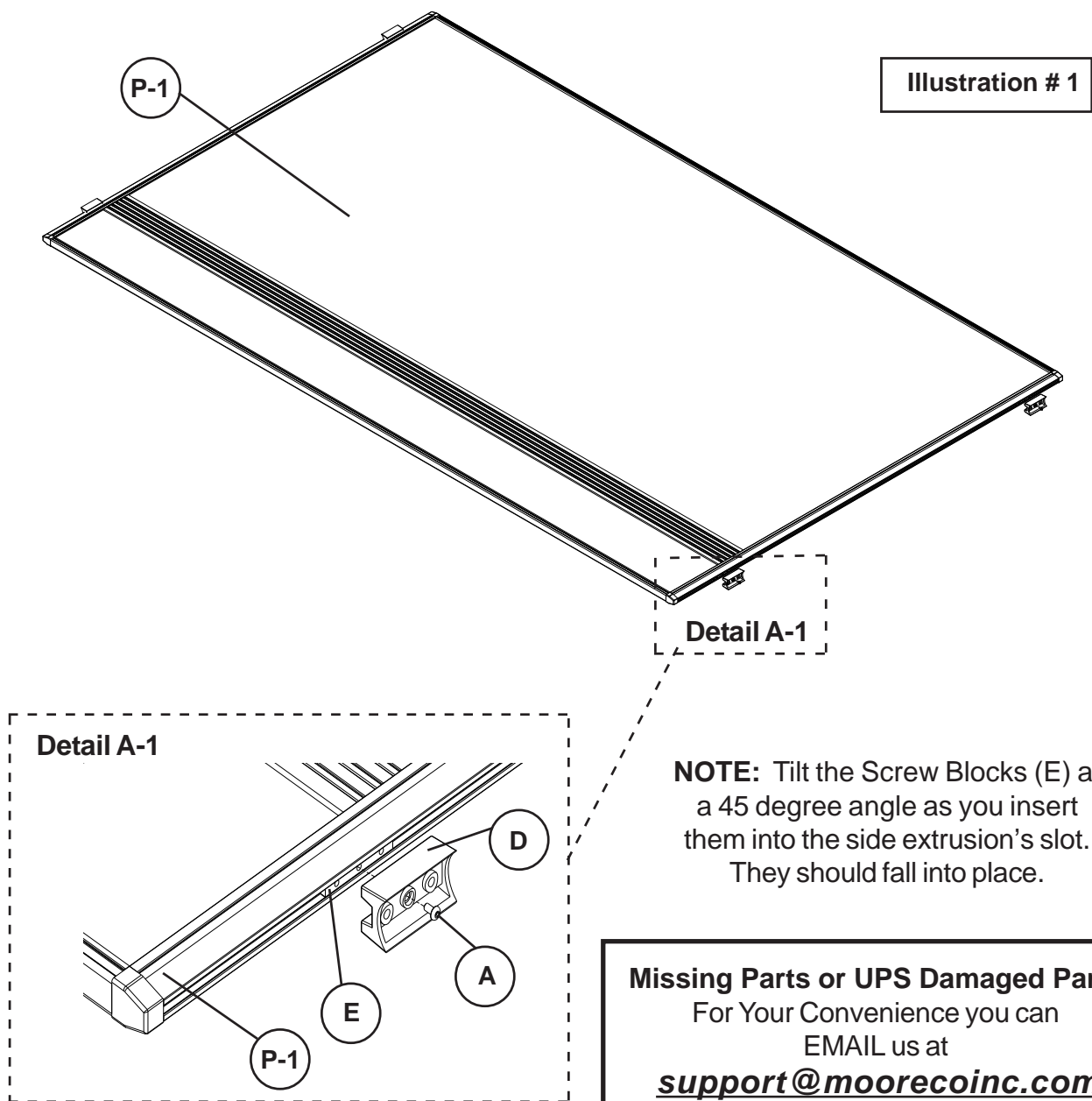
Part	Drawing	Description	Qty
Parts List			
P1		Board	1 EA
P2		Crossbrace	1 EA
P3		Post	2 EA
P4		Leg Base	2 EA
Hardware List			
A		Screw M5 X 8mm	4 EA
A1		Screw M5 X 50mm	8 EA
A2		Screw M6 X 55mm	4 EA
B		Bumper	2 EA
C		2" Locking Caster	4 EA
D		Plastic Mtg Bracket	4 EA
E		Screw Block	4 EA
F		Plastic Ganger	2 EA
G		Large Allen Wrench	1 EA
H		Small Allen Wrench	1 EA
J		Bottom Leg Bolt	2 EA
K		Large Bottom Washer	2 EA
L		Leg Secure Screws	4 EA
<p>Should you require assistance during assembly, please call our Customer Service Department Monday - Friday 8 a.m. - 5 p.m. Central Standard Time Toll-Free Customer Service 1-800-749-2258</p>			

DOC Assembly Diagram

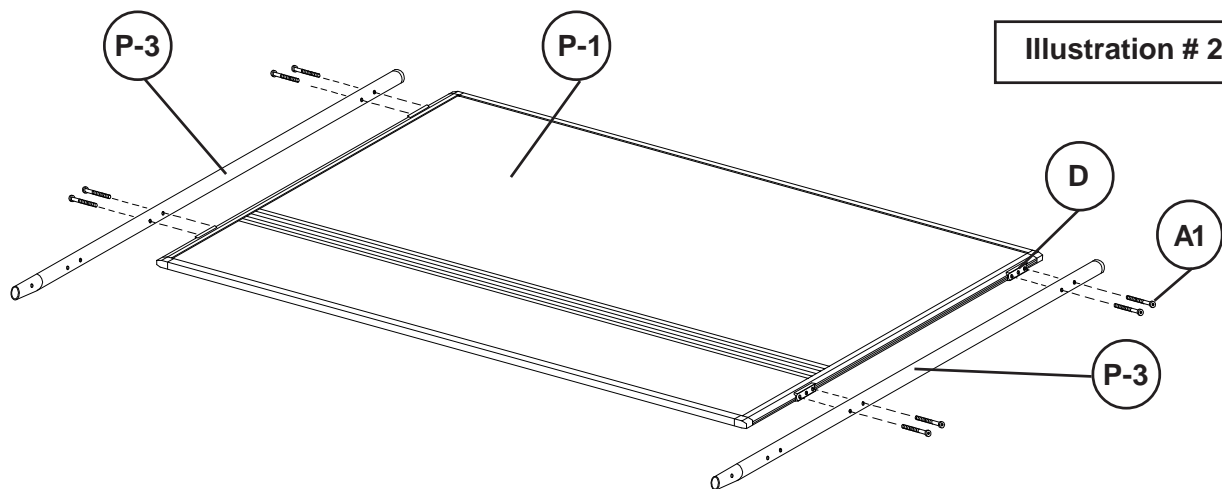
READ THROUGH INSTRUCTIONS FROM BEGINNING TO END BEFORE STARTING TO ASSEMBLE UNIT.

To Assemble:

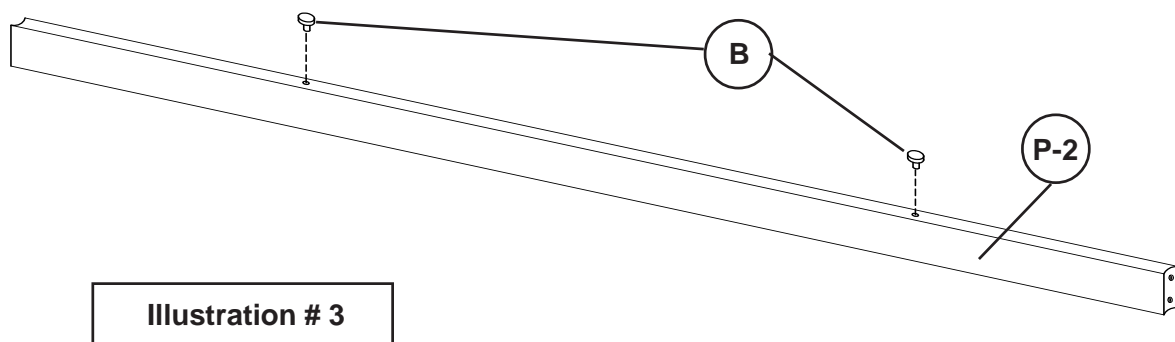
- 1.) Identify and Separate all the Parts and Hardware
- 2.) Place two Screw Blocks (E) into the slot of the aluminum side extrusion on each side of the Board (P1) as shown in Illustration #1 Detail A-1. Attach four Plastic Mounting Brackets (D) to the Screw Blocks (E) using one Screw (A) in the center of each bracket. Assembly should slide easily.



3.) Align the upright Post (P3) with the holes in the Plastic Mount Brackets (D) on each side and attach with two Screws (A1). These Screws (A1) go through the plastic Mounting Brackets (D) and tighten into the Screw Blocks (E) as shown in Illustration #2.

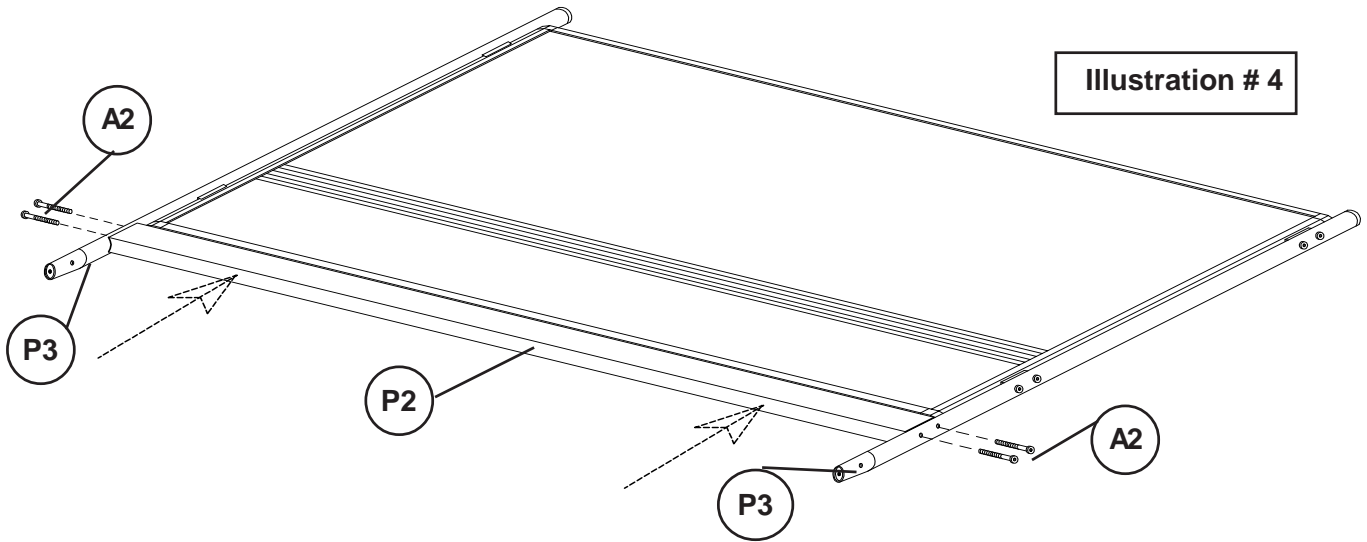


4.) Insert two Bumpers (B) in the top holes on Crossbrace (P2) as shown in Illustration #3.



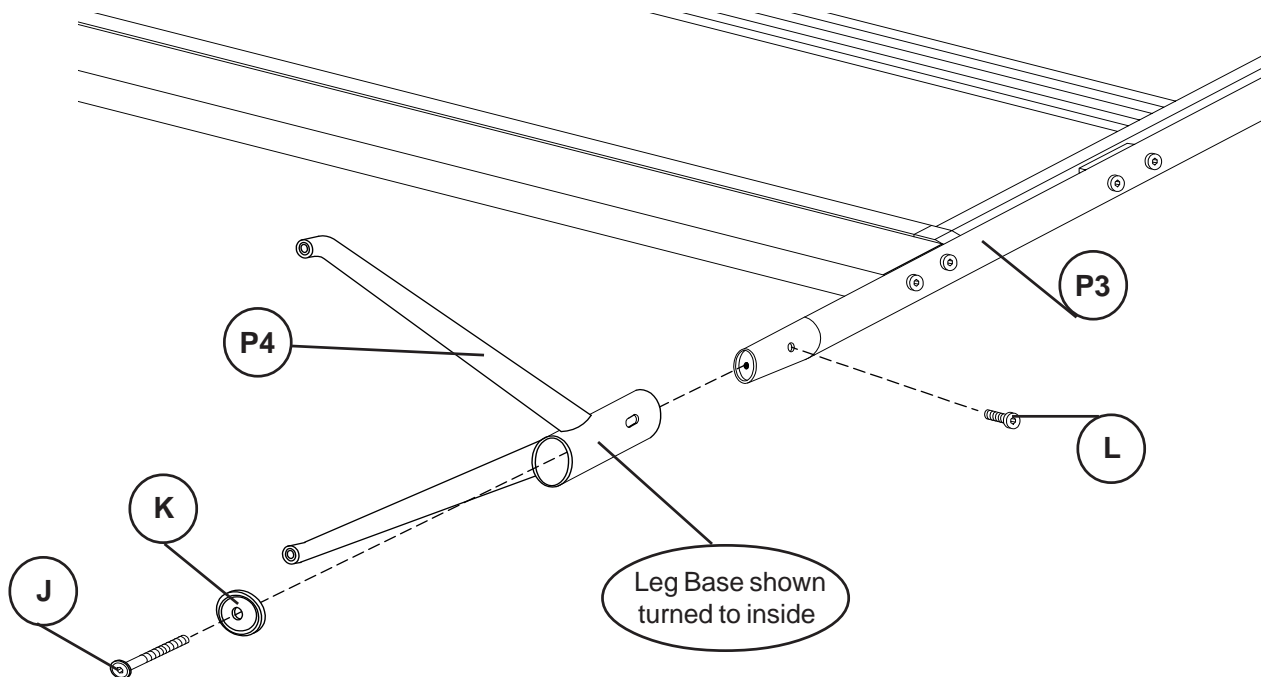
Do not use unless all screws are tight. At least every six months, check all screws to be sure they are tight. If parts are missing, broken, damaged, or worn, stop use of the product until repairs are made by your dealer using factory authorized parts.

5.) Slide the Crossbrace (P2), with Bumpers (B) facing up, in between the Posts (P3) and up to the bottom of Board (P1). Line up the the Crossbrace's (P2) mount holes with the holes in the Posts (P3) and secure using two Screws (A2) on each side as shown in Illustration #4.



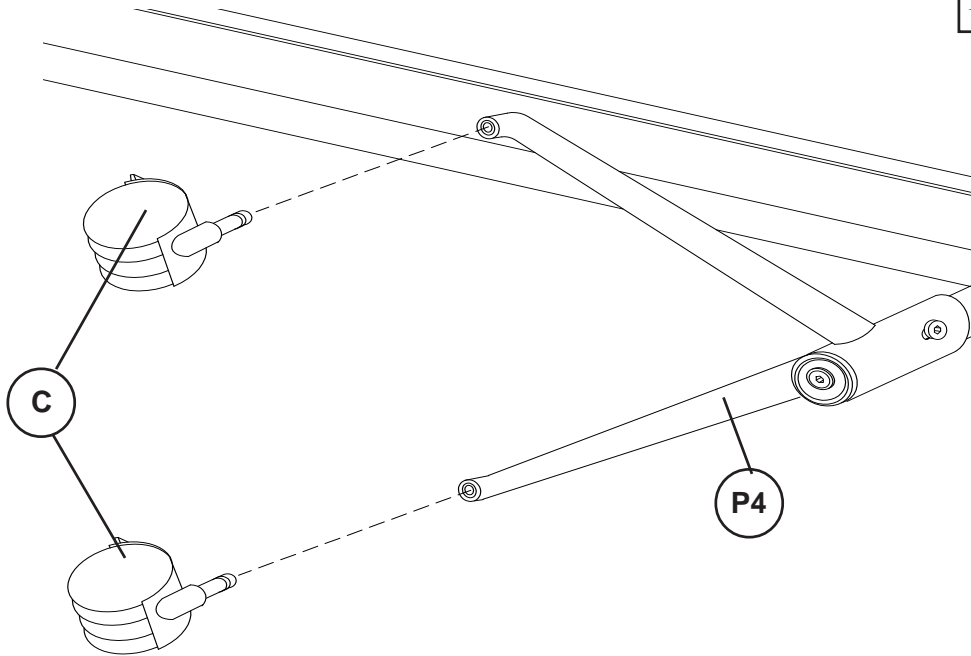
6.) Place a Leg Base (P4) on the end of each Post (P3) and ligh up the slot hole in the Leg Base (P4) with the threaded hole in the Post (P3). Note: The Leg Base (P4) may be turned to the inside or to the outside. Use Leg Secure Screw (L) to attach Leg Base (P4). Do not tighten at this time. Insert a Bottom Leg Bolt (J) through a Large Bottom Washer (K) and into the bottom of each Leg Base (P4) and tighten with Large Allen Wrench (G). You can now tighten each Leg Secure Screws (L) as shown in Illustration #5.

Illustration # 5



7.) Push in four Locking Casters (C) into the legs of the Leg Bases (P4) and stand completed unit upright.

Illustration # 6



8.) Attach two Plastic Gangers (F) to the Post (P3) to gang two DOC Room Dividers together as shown in Illustration #7

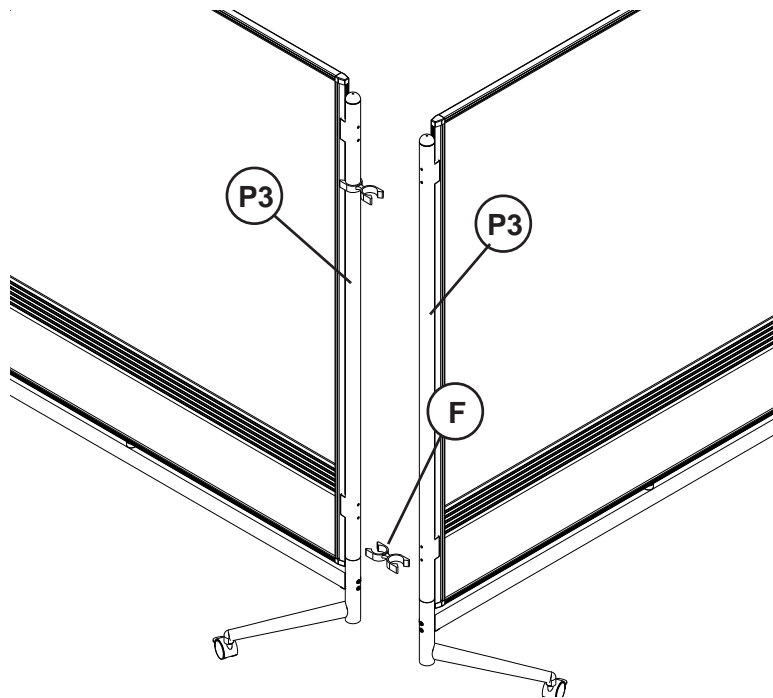


Illustration # 7