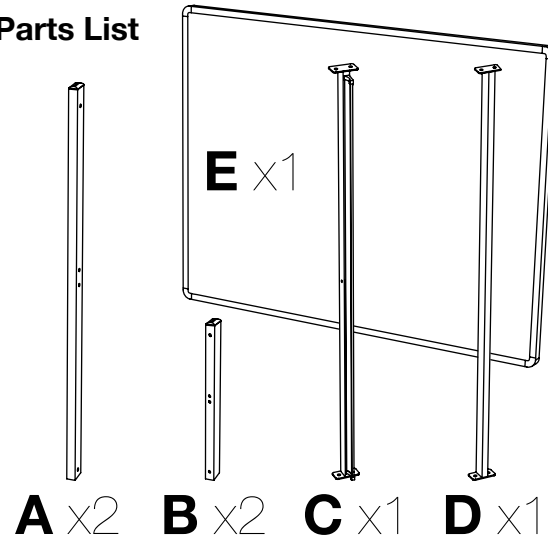


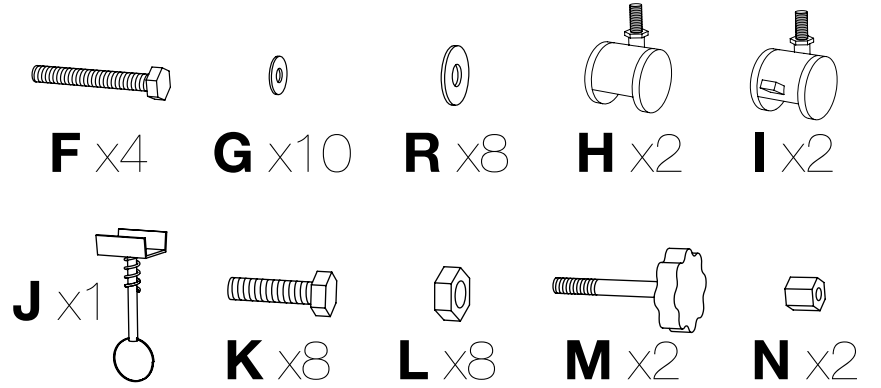
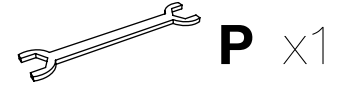
www.luxorfurn.com  
www.hwilson.com

## Parts List



## Tools Required

- Additional Wrench
- Utility Knife



## Mobile Board Instructions

**Note:** After assembly, remove the protective film from both sides of the board with a utility knife.

**Cleaning Tip:** A mild dish washing liquid can be used with a soft cloth to clean the writing surface.

