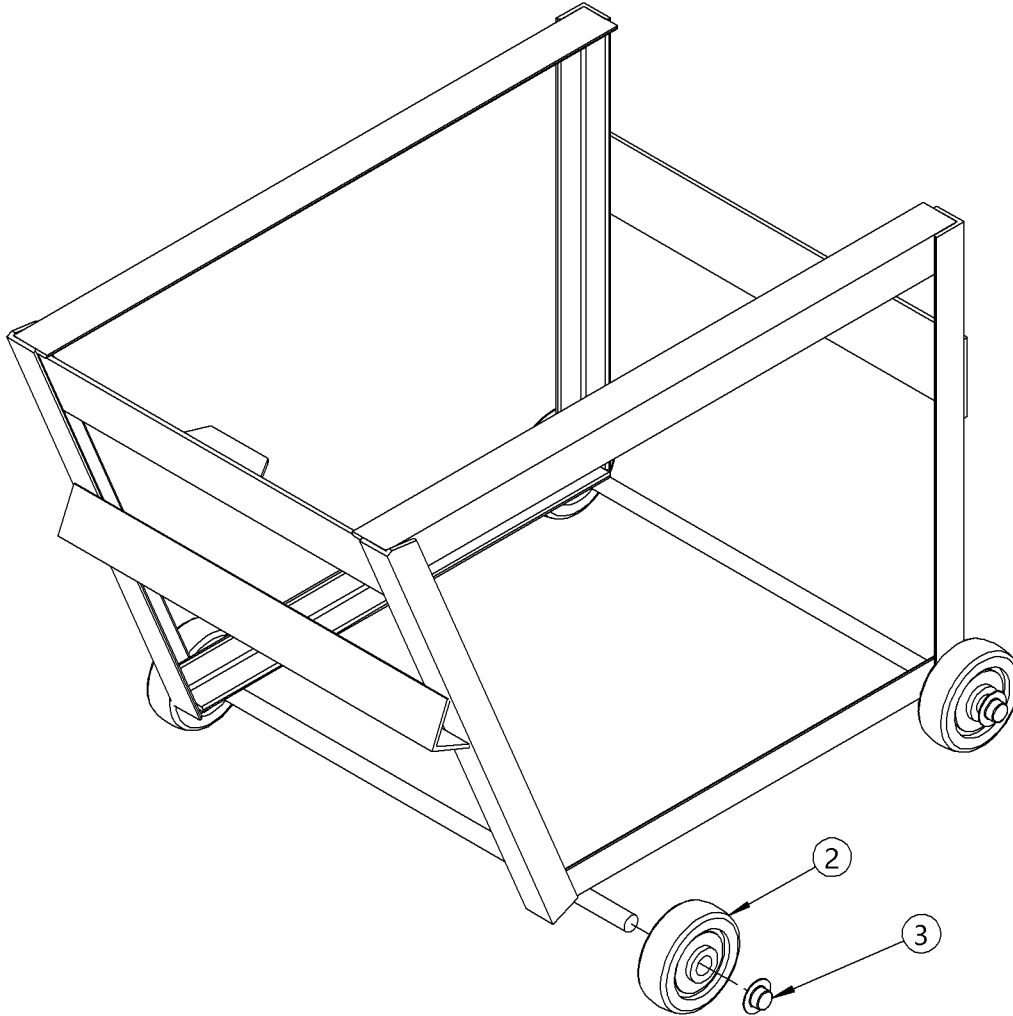


**Parts Diagram of Morse Model 46 15-Gallon Drum Cradle**



ITEM NO.	PART NUMBER	DESCRIPTION	QTY.
1	2999-P	FRAME WELD, 46	1
2	210-P	WHEEL, MORTUF 3" X 1/2"BORE 36	4
3	715-P	CAP, HUB, PUSH-ON, 1/2"	4