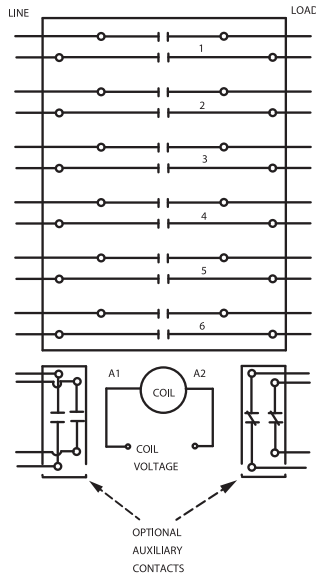


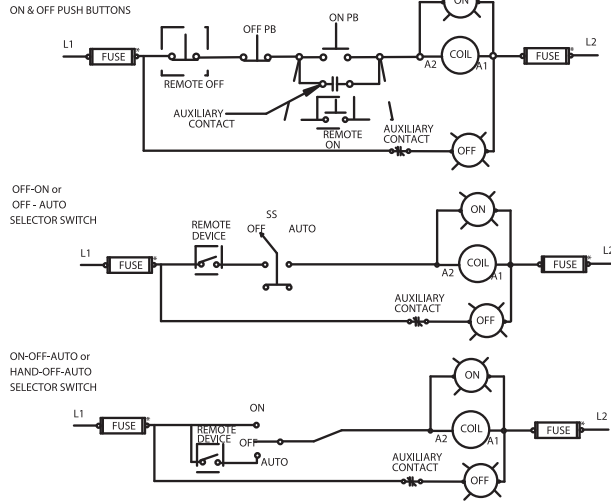
Lighting Contactors

CR463L, CR463M

Wiring Diagrams



OPTIONAL PILOT DEVICES FOR ELECTRICALLY HELD CONTACTOR



CR463L Electrically Held

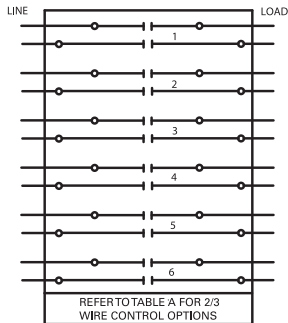


TABLE B - OPTIONAL PILOT DEVICES FOR 2 WIRE CONTROL

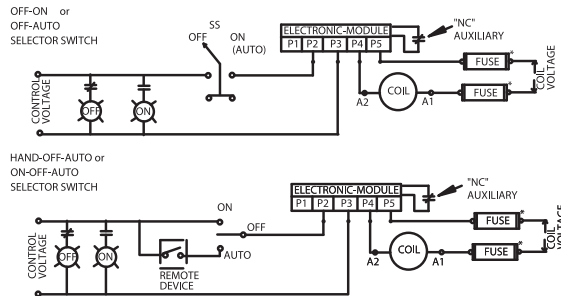


TABLE C - OPTIONAL PILOT DEVICES FOR 3 WIRE CONTROL

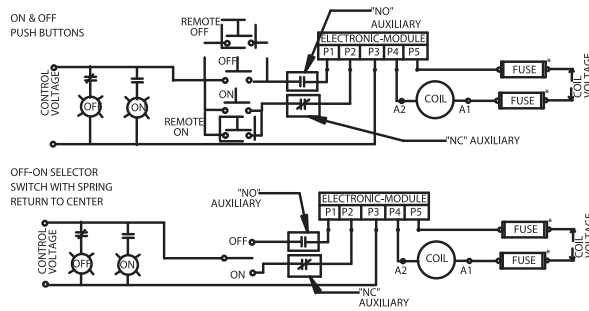
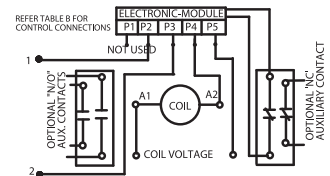
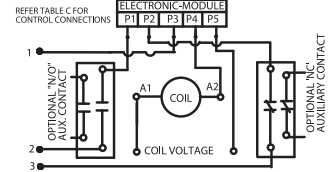


TABLE A

2-WIRE CONTROL



3-WIRE CONTROL



CR463M Mechanically Held

