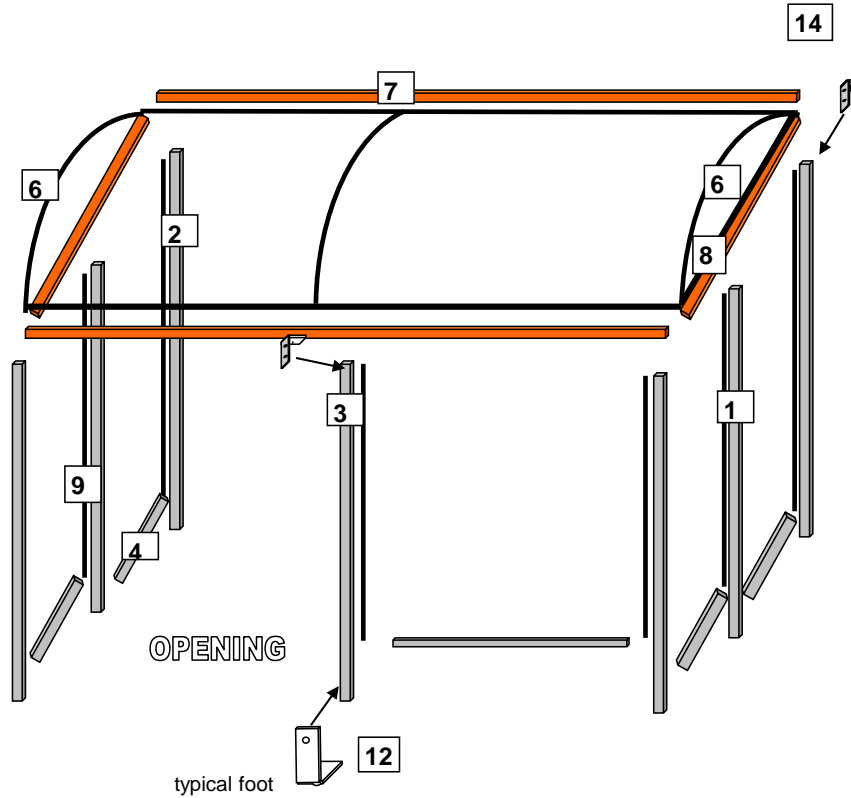


Configuration of NBS0808BW Smoking Shelter

issue 4

Component	Part No	Item	Length	No
Uprights Double	A48FS-1C	1	2000	2
Uprights Corner	A48FS-2C	2	2000	1
Uprights Single LH	A48FS-3C	3	2000	2
Uprights Single RH	A48FS-3aC	3a	2000	2
Horizontals Full Bay	A48FS-8	4	998	5
Roof Ends x2	A88FS-1	6		2
Roof Side 2 Bay box	A48FS-4	7	2110	2
Roof End x2 Box	A88FS-2	8	2034	2
C Type Glazing Bead	A48FS-13	9	1792	10
Plastic Glazing Panels "C" Type	NBB910		1808x988	5
Std Foot "L" Assembly	A48FS-16	12		7
End Caps Square	NBB903			4
Roof Trim	A88FS-3			1
Hex Head Drill Screws (small)	NBB901			4
Anchor Bolts	NBB915			7
Paint Stick	NBB914			1
Top Bracket (Stud)	A48FS-15	14		6
Top Bracket (Thread)	A48FS-16	16		1
M8 x 50 allen bolt	NBB906			1
Hex Head Drill Screws	NBB907			30
M6x12 poz screws	NBB902			14
M8x12 screw & washer	NBB909			7



Layout of Uprights & Roof Fixing NBS0808BW

Type of upright	Type of Top Bracket	No
Uprights Single LH	Top Bracket (Stud)	1
Uprights Double	Top Bracket (Stud)	2
Uprights Single RH	Top Bracket (Stud)	3
Uprights Single LH	Top Bracket (Stud)	4
Uprights Double	Top Bracket (Stud)	5
Uprights Corner	Top Bracket (Stud)	6
Uprights Single RH	Top Bracket (Thread)	7

