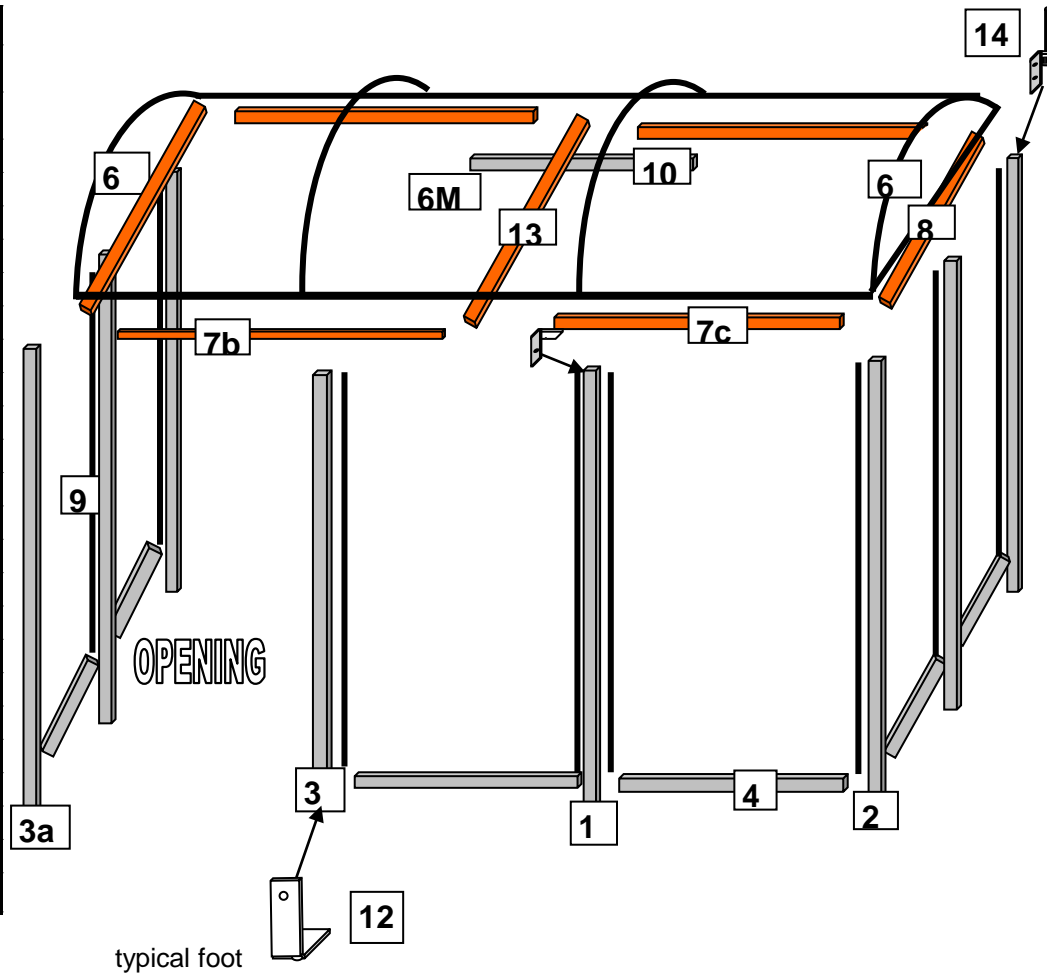


Component	Part No	Item	Length	No
Uprights Double	A48FS-1C	1	2000	3
Uprights Corner LH	A48FS-2C	2	2000	1
Uprights Single LH	A48FS-3C	3	2000	2
Uprights Single RH	A48FS-3aC	3a	2000	2
Horizontals Full Bay	A48FS-8	4	998	6
Roof Ends x2	A88FS-1	6		2
Roof Middle Double	A811FS-1	6M		1
Roof Side LH 3 Bay Box	A412FS-2LH	7	1554	2
Roof Side RH 3 Bay Box	A412FS-2RH	7a	1554	2
Roof End x2 Box	A88FS-2	8	2034	2
C Type Glazing Bead	A48FS-13	9	1792	12
Centre Tie Bar	A811FS-2	13	2110	1
Roof Support Bar	A412FS-12	10	600	1
Plastic Glazing Panels C Type	NBB910		1808x988	6
Std Foot "L" Assembly	A48FS-16	12		8
End Caps Square	NBB903			6
Roof Trim	A88FS-3			2
Hex Head Drill Screws (small)	NBB901			8
Anchor Bolts	NBB915			8
Paint Stick	NBB914			1
Top Bracket (Stud)	A48FS-15	14		6
Top Bracket (Thread)	A48FS-16	16		2
M8 x 50 allen bolt	NBB906			2
Hex Head Drill Screws	NBB907			46
M6x12 poz screws	NBB902			16
M8x12 screw & washer	NBB909			8



Layout of Uprights & Roof Fixing NBS0812BW

Type of upright	Type of Top Bracket	No
Uprights Single LH	Top Bracket (Stud)	1
Uprights Double	Top Bracket (Stud)	2
Uprights Single RH	Top Bracket (Stud)	3
Uprights Single LH	Top Bracket (Stud)	4
Uprights Double	Top Bracket (Stud)	5
Uprights Corner	Top Bracket (Stud)	6
Uprights Double	Top Bracket (Thread)	7
Uprights Single RH	Top Bracket (Thread)	8

