

Slant/Fin



Look for our
Hydronic Explorer app on
iTunes and Google Play!
(Works on iPad, iPhone & Android devices)

SENTRY

VESTIBULE

High performance, cast-iron gas boiler

Lower profile makes installations easy

The boiler you choose for your home now will affect your family's comfort—and pocketbook—for many years to come. Sentry boilers provide a blend of efficiency and reliability that will keep your home comfortably warm and your fuel costs low year after year. A new Sentry boiler can save up to 30% or more on fuel bills compared to a typical old boiler operating at 60% efficiency.

Sentry is ideal for a wide variety of gas boiler requirements as a replacement or for new installations. Its advanced design provides years of trouble-free, high efficiency operation, while providing easy installation especially in sites with low chimney connections or low overhead clearance.

- **Reliable natural draft design**
- **Quality control features**
- **High performance heating**
- **Thermal targeting technology to conserve fuel by monitoring heating demand**
- **Low water cut-off function**
- **Thermal pre-purge option to save fuel**
- **Display shows boiler water temperature and boiler control's setting**
- **LED lights provide information of boiler operation**

*See installation instructions for specific applications and clearances.

Up to
84.4%
AFUE



S-60 shown

- **Input: 5 models 34,000 to 150,000 Btu/hr**
- **Intermittent ignition · Low clearance***
- **Saves energy. AFUE to 84.4%**

www.slantfin.com



Since 1949
Slant/Fin
BOILERS & BASEBOARD
We Build Trust and Comfort

Slant/Fin.

SENTRY® VESTIBULE



High performance, cast-iron gas boiler

- Computer-aided design
- Highest quality manufacturing
- Superior components

RATINGS FOR SENTRY BOILERS – NATURAL AND L.P. GAS

MODEL NUMBER †	CSA INPUT (Btuh)	DOE CAPACITY (Btuh)	NET AHRI RATING WATER (Btuh)*	WATER (Sq. Ft.)	EFFICIENCY AFUE%	DIMENSIONS-Inches		
						INTERMITTENT IGNITION	"A"	"B"
§ S-34	34,000	29,000	25,000	167	84.0	8-1/8	14-5/8	4
S-60	60,000	51,000	44,000	293	84.4	11-1/8	17-5/8	4
S-90	90,000	76,000	66,000	440	84.2	14-1/8	20-5/8	5
S-120	120,000	101,000	88,000	587	84.1	17-1/8	23-5/8	6
S-150	150,000	125,000	109,000	727	83.4	20-1/8	26-5/8	7



* Net ratings are based on a piping and pick-up allowance of 1.15. Slant/Fin should be consulted before selecting a boiler for installation having unusual piping and pick-up requirements. Ratings must be reduced by 4% at 2,000 feet elevation and an additional 4% for every additional 1,000 feet elevation over 2,000 feet.

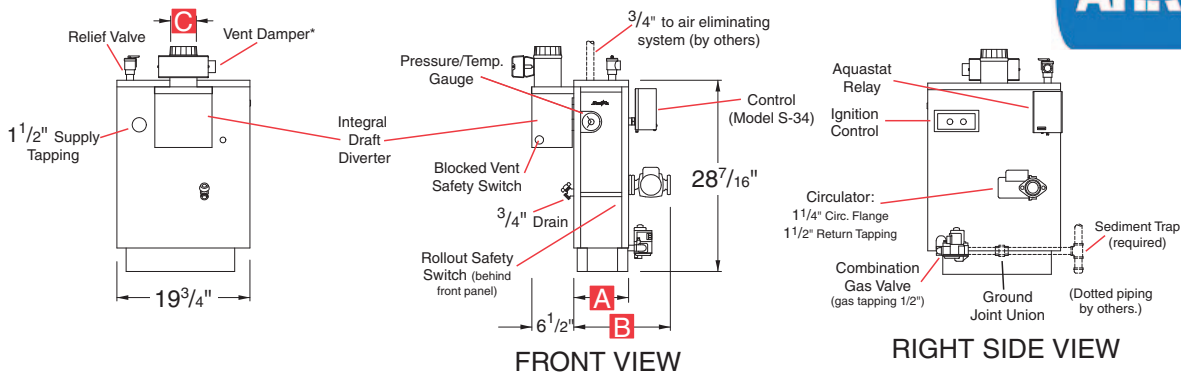
† Type of gas: after model number, specify gas by name "Natural" or "Propane".

Note: All Sentry boilers are tested and rated for capacity under the U.S. Dept. of Energy (D.O.E.) Test Procedure for boilers.

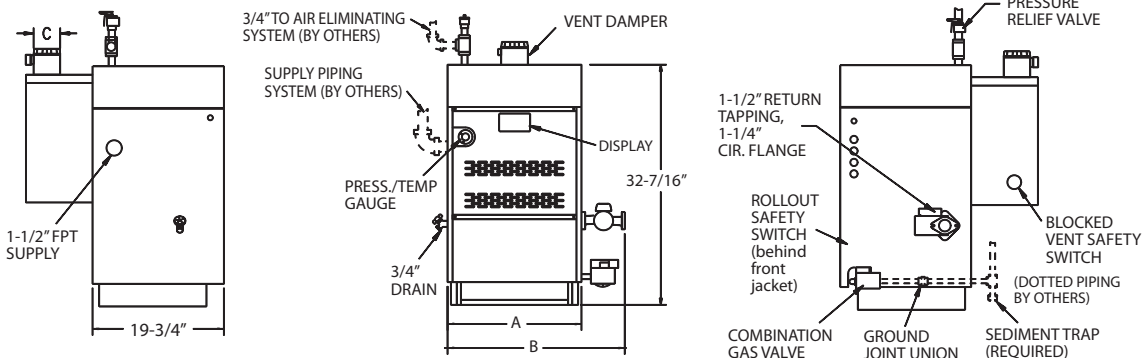
§ Note: S-34 has external side mounted control.



MODEL S-34



MODELS S-60 to S-150



U.S.A.
Slant/Fin Corporation • 100 Forest Drive
Greenvale, NY 11548 • 516-484-2600
www.slantfin.com

Canada
Slant/Fin LTD/LTEE • 400 Ambassador Drive,
Mississauga, Ontario L5T 2 J3 • 905-677-8400
www.slantfin.ca