



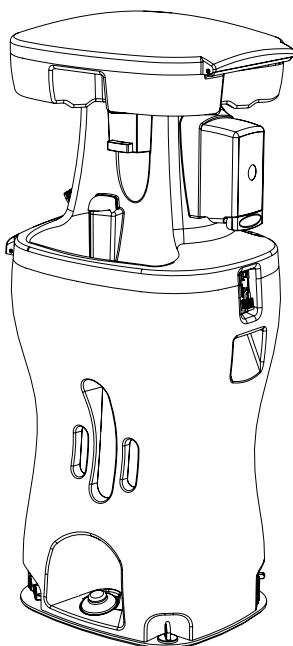
BRAVO!®

2-STATION HANDWASH SINK

Operations & Maintenance Guide

SPECIFICATIONS

PATENT PENDING



<u>Dimension</u>	<u>Imperial</u>	<u>Metric</u>
Height	62 in	157 cm
Width	26.5 in	67 cm
Depth	21.5 in	54 cm
Fresh Water Capacity	22 gal	83 L
Gray Water Capacity	24 gal	91 L
Pump Capacity (per stroke)	2 fl oz	59.1 ml
Number of Single Dispenses	1408	1408
Weight Empty	70 lb	32 kg
Weight Full	254 lb	115.2 kg
<u>Paper Towel Dispenser</u>		
Four packs of single-fold towels (Georgia Pacific 23504) 250 towels per pack. 1000 per wash station.		
<u>Soap Dispensers</u>		
Capacity	30 fl oz	887 ml
Total Capacity	60 fl oz	1774 ml

All materials, including resin, pigments and additives used to make the plastic components as well as the plumbing components that come in contact with the fresh water are U.S. FDA food grade compliant.

NOTE: All dimensions are subject to change due to environmental factors.

HEATER OPTION:

Tested by: _____ Date _____ Temperature: _____

POLYJOHN USA

PolyJohn Enterprises Corp
2500 Gaspar Ave.
Whiting, IN 46394
Phone: 800-292-1305
Fax: 219-659-0625
www.polyjohn.com
info@polyjohn.com

POLYJOHN WORLDWIDE

PolyJohn (UK) Ltd.
Equinox 1 Audby Lane
Wetherby, England LS22 7RD
Phone: 44 (0) 1937-583333
Fax: 44 (0) 1937-583322
www.polyjohn.co.uk
sales@polyjohn.co.uk

POLYJOHN CANADA

PolyJohn Canada
P.O. Box 2300
199 Forest Plain Rd.
Orillia, Ontario LV3 6S2
Phone: 800-465-9590
Fax: 705-325-8250
www.polyjohncanada.ca
info@polyjohncanada.ca

We recommend reading through the entire booklet prior to proceeding with use, service or maintenance.

BRA1 Info - April 2011

Page 1 of 8

General Product Overview & Operation Information

The Bravo is a supreme dual hand wash station. It features a sleek design that is unmatched in the industry and is easily transported inside most portable restrooms. The dimensions are within the United Parcel Service (UPS) shipping requirements.

This free standing wash station has been designed with extra deep sink basins so users may wash up to their elbows.

If warm water washing is desired or required, Bravo can deliver instant warm water with the **BRA1-2000 Model**.

Bravo's unique options make it an ideal choice for all types of industry.

BRA1-2000 Optional Heater Information

GFCI

HE01-1000 - Heater must be plugged into a ground fault circuit interruptor (GFCI) protected outlet or protected with a GFCI plug. A 25' length of cord with the appropriate GFCI protection is available through FASTENAL at fastenal.com, part number 0727567

The heater is designed to provide a warm hand wash maintaining a water temperature of 95 to 105 degrees Fahrenheit. The heater also provides a way of keeping the water from freezing when temperatures reach down to 10 degrees.

The system is equipped with a float switch to shut off power to the heater when the water level drops below its normal operating range.

There is an electrical inlet at the bottom of the sink. To hook-up, simply connect to an electrical cord and plug in to an outlet that is a 120 volt 15-amp GFCI protected circuit.

The LED light is provided next to the plugin to show when the power is being applied to the heater. It is normal for the light to cycle on and off over the course of several minutes. The heater temperature range is 100 to 110 degrees. The light will come on when the water temperature is below 100 degrees and it will shut off when the temperature reaches 105 degrees. The LED light will also shut off if the water level is below normal operating range.

Service / Maintenance Information

Emptying Gray Water

Bravo features three options to empty the gray water; Siphon, Drain or Pump.

1. Siphon - Place service wand onto rubber gasket (**BRA1-0008**). Create a tight seal. Open vacuum valve to begin siphon; siphon should begin within 5 seconds. Remove wand and allow sink to empty. If "dumping" of gray water is not approved, leave vacuum on until sink is empty.
2. Drain - There are two drains side by side at the bottom of the sink, remove the one on the left to drain the gray water.
3. Pump - Unlock the lock on the wingnut cap, unscrew the cap and pull the plug out. Unlock the lock on the hinged bowl top and lift the hinged bowl top up to access the interior of the outer tank.

Emptying Fresh Water

Drain the fresh water by removing the right side 1" drain plug from the bottom of the sink.

Accessing Pumps

Remove the (4) 1/4" hex bolts from the base plate. The pumps are attached to the plumbing with quick disconnect fittings. To disconnect the tubing, push the ring of the fitting toward the fitting stem while pulling out on the tubing.

Spigot Replacement

Drill out the (2) PC-000104 rivets that hold the spigot in place. The spigots are attached to the plumbing with quick disconnect fittings. To disconnect the tubing, push the ring of the fitting toward the fitting stem while pulling out on the tubing.

Sink Drain Plumbing System

The drain system is designed to be virtually maintenance free. Molded in bowls allow gray water to drain directly into the gray water tank.

Service / Maintenance Information (continued)

Filling with Fresh Water

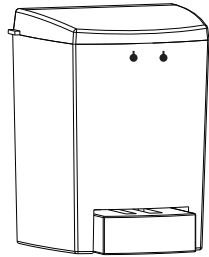
Unlock the lock on the fill cap located on the hinged side of the sink tower top (*between the two sink bowls*). Unscrew the wingnut on the fill cap and pull the plug out. Insert a standard 1" garden or similar type hose. Fill with a few gallons of fresh water to perform a system check. Depress each pump a few times to "prime" them. The pumps have built in check valves that will hold a prime between uses. Continue filling to the 22 gallon capacity.

Paper Towel Dispenser

Unlock the lock on the dispenser lid to release the catch lock. Lift up the lid and add one pack of single fold towels (*Georgia Pacific 23504 or equivalent*) to each compartment (*total of 4 packs*). Feed the first towel through the slots in the bottom of the towel holder body.

Soap Dispenser

Unlock the lock on the Paper Towel Dispenser Lid to release the catch lock. Lift up the lid and pull the ring of the Soap Dispenser Mount Plate (BRA1-0021) up through the Paper Towel Dispenser and remove. Open one of the Soap Dispensers by placing your hands on both sides of the dispenser. Position your thumbs on the front approximately where the two dots are located in the illustration (*the tips of your thumbs should be inline with the gray top, but not on it*). Push in on the clear plastic while using your thumbs to "pop" the gray lid off. Fill with 30 fluid ounces of liquid soap. Snap the lid back on and repeat for the other soap dispenser. Reinsert the Soap Dispensers down through the Paper Towel Dispenser and lock.



IMPORTANT DECALS

NOT FOR COOKING OR DRINKING, is required by law in certain areas of the U.S. Other geographical areas require that the materials used to manufacture the sinks comply with the U.S. Federal Food and Drug Administration (FDA) guidelines 21 CFR 175.300 (resins), 177.1520 (olefin polymers) and 178.3297 (colorants for polymers). The materials also comply with the U.S. Public Health Service Drinking Water Standards, 42 CFR part 72 and U.S. Environmental Protection Agency Interim Primary Drinking Water Regulations 40 CFR part 141.

HANDS FREE PUMP, instruction for user to use foot pump to operate the sink.

UNIT MUST BE DRAINED BEFORE TRANSPORTING, reminds service operator to empty the sink before transporting.

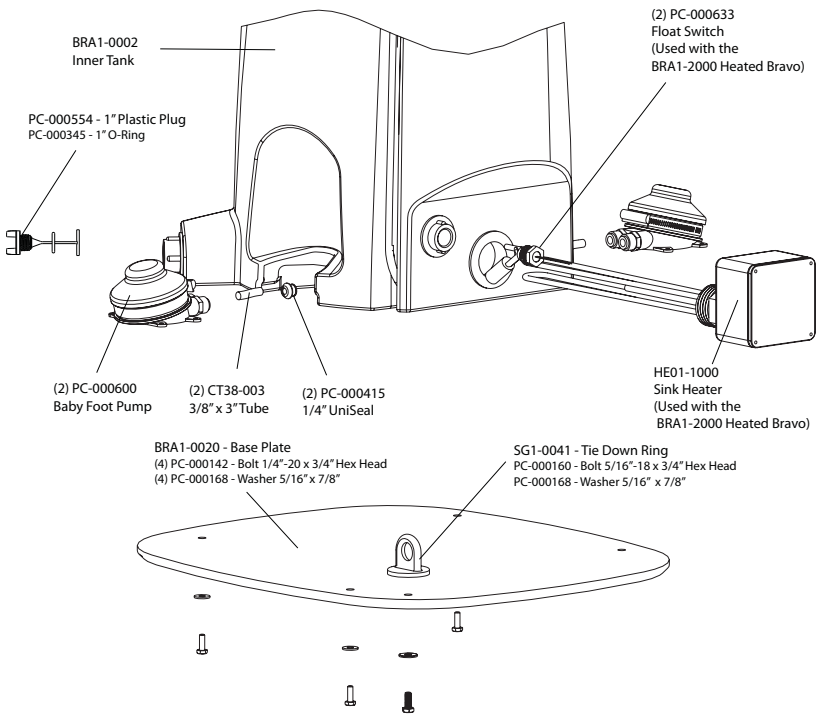
Optional Accessories

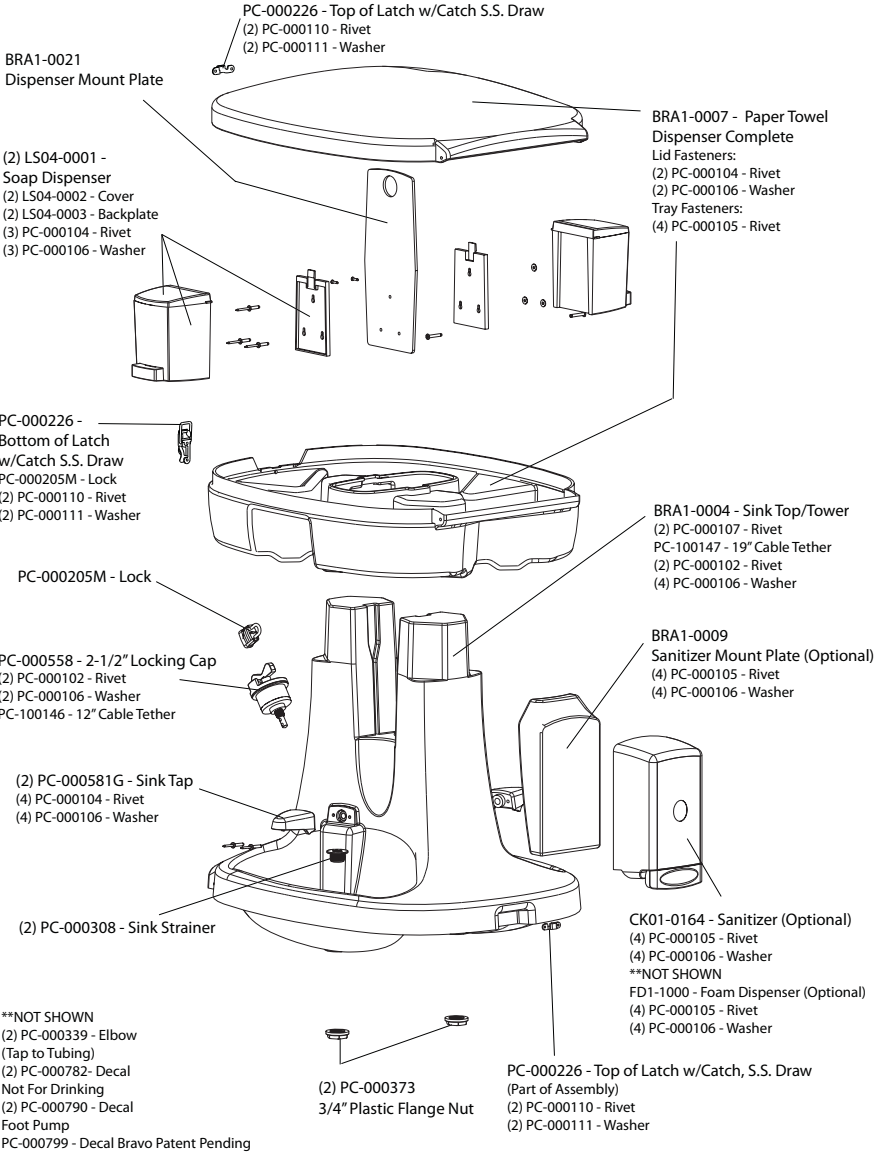
Hand Sanitizer Dispenser

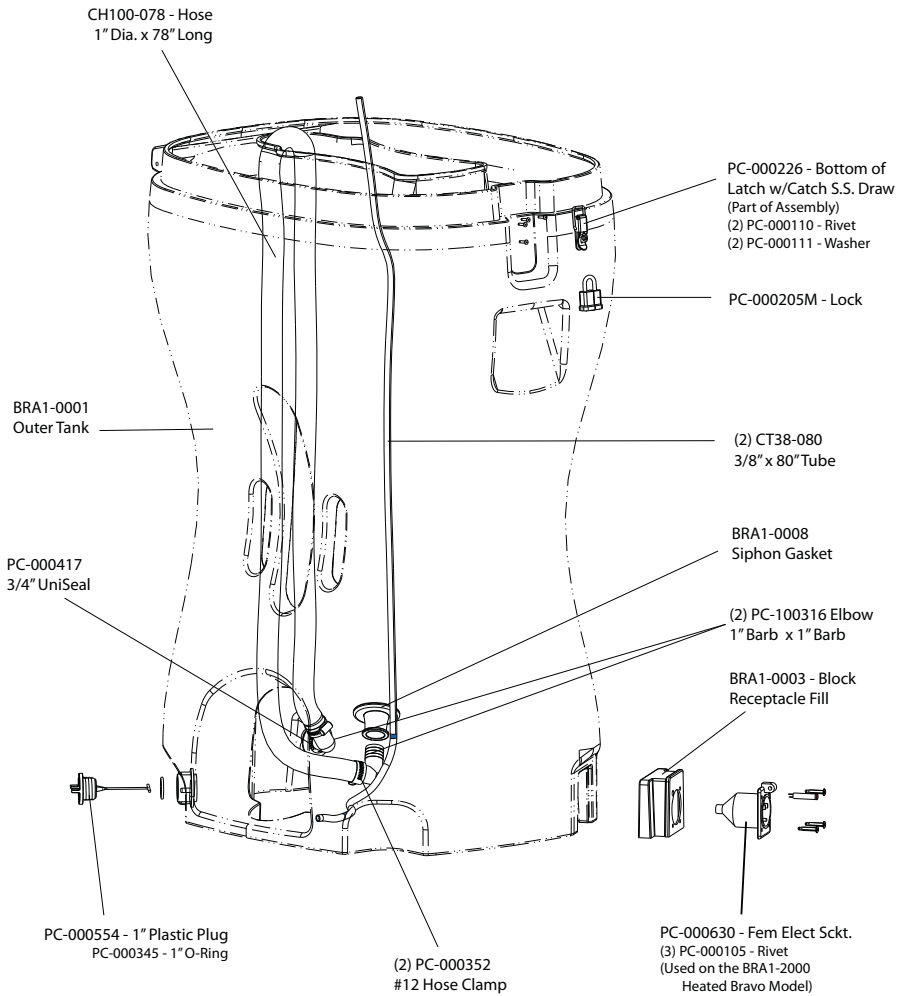
Available from PolyJohn, is part number **BRA1-0009C**, an 800 ml. Hand Sanitizer Dispenser, complete with hand sanitizer, a mounting plate and rivets for mounting. For application where hand sanitizing is essential.

Chlorinating Tablets

PolyJohn part number **CK01-0030** is available for applications where chlorinated water is desired or required. Each tablet can treat up to 29 gallons of water. Add one tablet each time the sink is filled with fresh water.







**NOT SHOWN
PC-000783 - Decal Transport

Winterizing

- Drain all water from the tanks.
- Depress the foot pump to clear lines.
- Flush tank with a solution of chlorine and water.

CLEANING AND MAINTENANCE

Use a mild soap to clean all surfaces and component parts.

Minor scratches and abrasions can be lightly sanded or scrubbed with a mild abrasive cleaner (*such as "Soft Scrub"*) that contains calcium carbonate, hypochlorate bleach and detergents. Be sure to follow the cleaning product directions since these ingredients may cause hazardous gases when mixed with other chemicals. Rinse the cleaned area and buff with a conventional wax.

Some light scratches may also be hidden by using an industrial hot air gun.

To keep the water fresh add a "Fresh Sink Tablet" (*chlorinated tablet*) each time the sink is filled with water.

For a source of cleaning, deodorizing and paper products contact:

**POLYJOHN
2500 GASPAR AVE.
WHITING, IN 46394-2175
800-292-1305**

We highly recommend membership in the Portable Sanitation Association International (PSAI); the worldwide authority on portable sanitation services. The PSAI, "Portable Sanitation Industry Certification Program" manual contains a wealth of information on standards and service procedures. For more information contact the PSAI:

PORTABLE SANITATION ASSOCIATION INTERNATIONAL (PSAI)
7800 METRO PARKWAY, SUITE 104
BLOOMINGTON, MINNESOTA 55425 USA
800-822-3020 / 612-854-8300 FAX 612-854-7560
www.pesai.org

MISSION STATEMENT

"PolyJohn is a family owned, state of the art, plastics manufacturing company dedicated to providing its employees with a work environment committed to excellence, and its customers with innovative products, services and technology that meet or exceed their requirements."

THANK YOU FOR PURCHASING POLYJOHN PRODUCTS!

Look for us on the Web @ www.PolyJohn.com