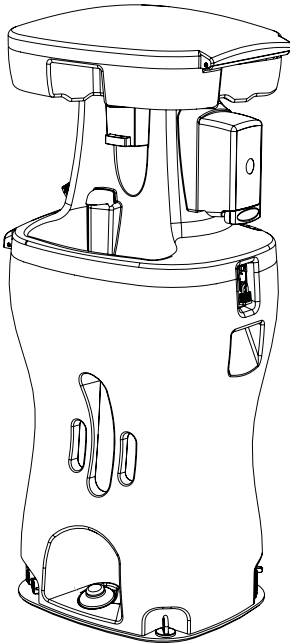




BRAVO™

2-STATION HANDWASH SINK

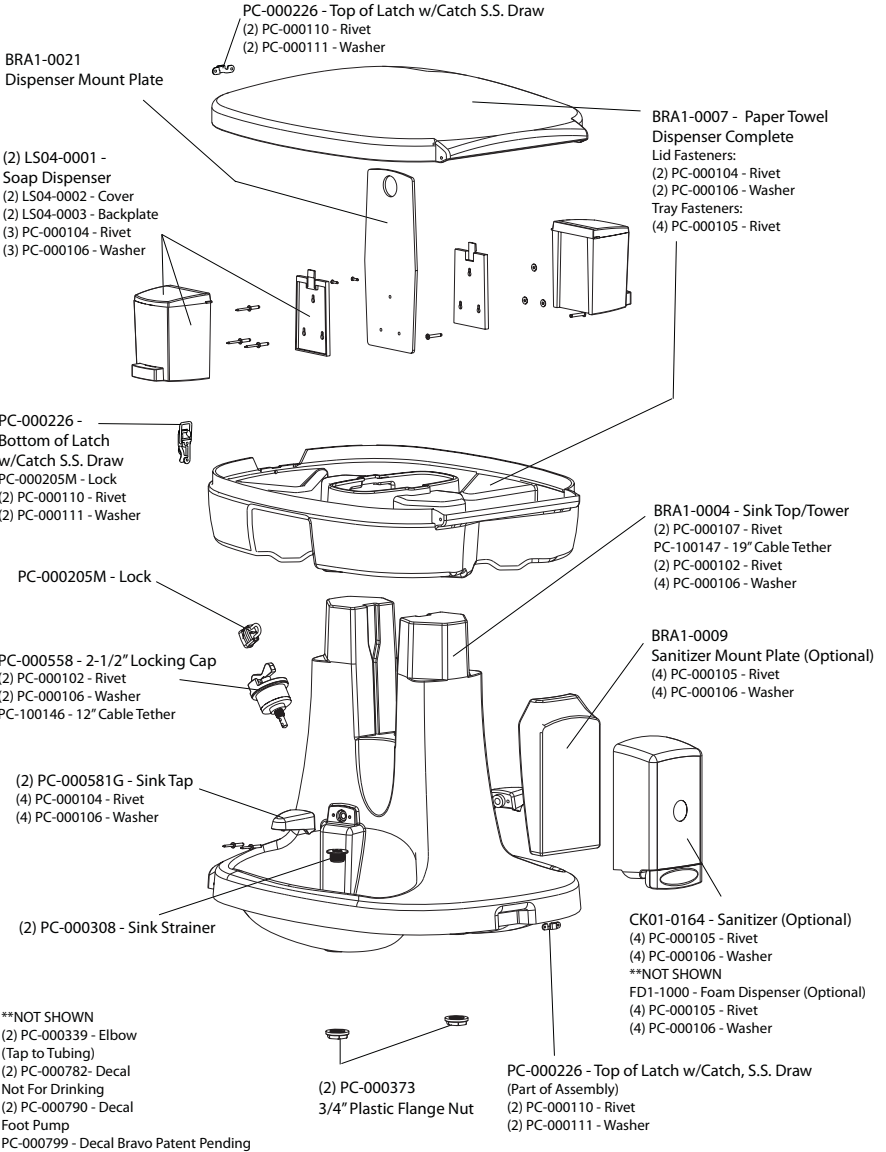
Heated Sink Specifications and Information

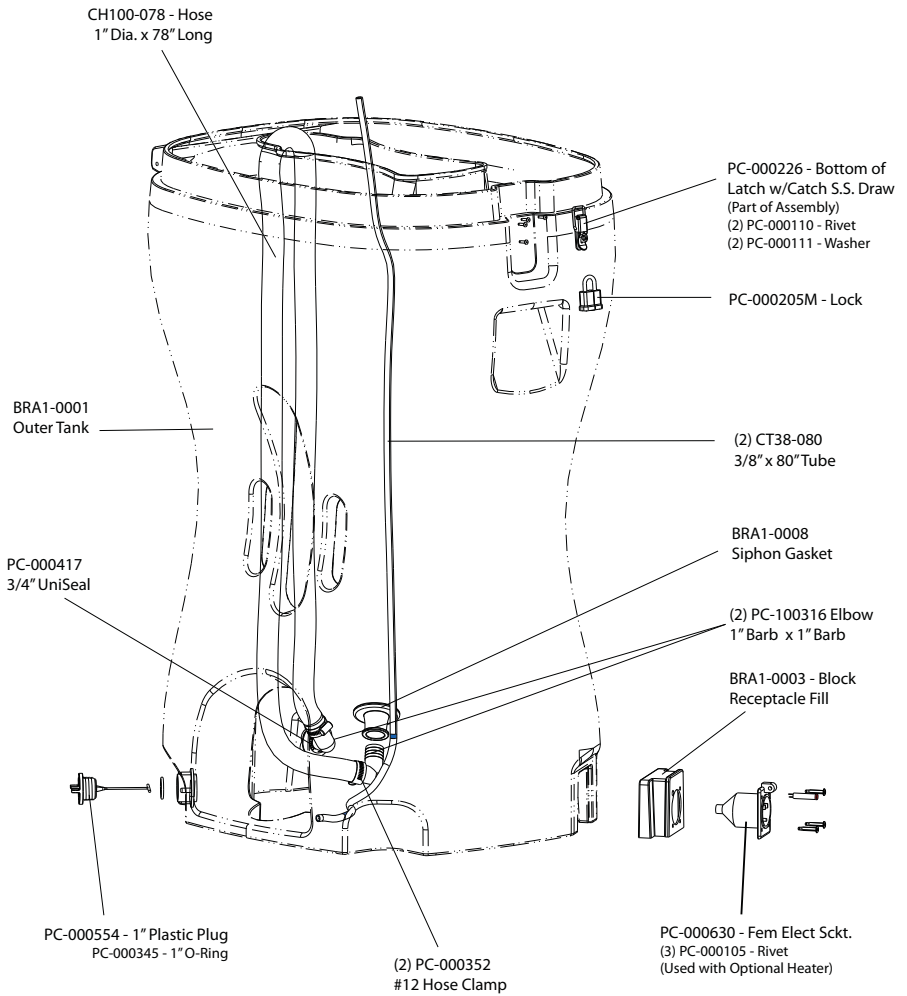


SPECIFICATIONS

<u>Dimension</u>	<u>Imperial</u>	<u>Metric</u>
Height	62 in	157 cm
Width	26.5 in	67 cm
Depth	21.5 in	54 cm
Fresh Water Capacity	22 gal	83 L
Gray Water Capacity	24 gal	91 L
Pump Capacity <i>(per stroke)</i>	2 fl oz	59.1 ml
Number of Single Dispenses	1408	1408
Weight Empty	70 lb	32 kg
Weight Full	254 lb	115.2 kg
Power Requirements	110v/15A	NA
<u>Paper Towel Dispenser</u>		
Four packs of single-fold towels <i>(Georgia Pacific 23504)</i> 250 towels per pack. 1000 per wash station.		
<u>Soap Dispensers</u>		
Capacity	30 fl oz	887 ml
Total Capacity	60 fl oz	1774 ml

The BRA1-2000 Heated Bravo sink is a self contained portable sink that provides warm water hand wash. The sink is heated with a thermostatically controlled electric cal-rod type heater. The heater heats up the entire fresh water tank, and maintains a nominal water temperature of 110 degrees Fahrenheit. The heating system incorporates a float switch that shuts power off to the heating element in the case of a low water situation. Because the whole fresh water tank is heated, the sink is protected from freezing down to 10 degrees Fahrenheit. The system must be plugged into a GFCI protected circuit to comply with electrical code.





****NOT SHOWN**
PC-000783 - Decal Transport

