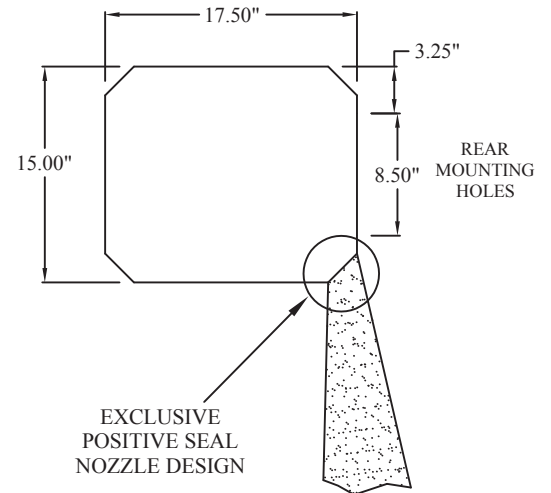
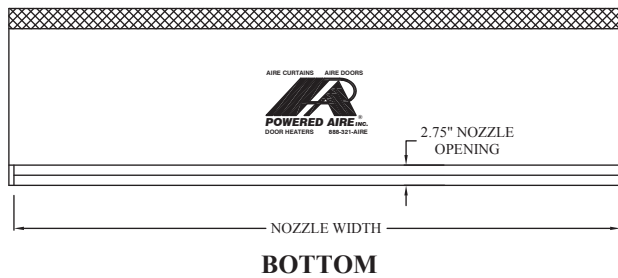
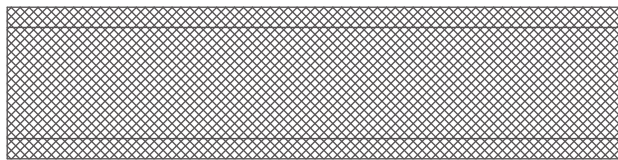
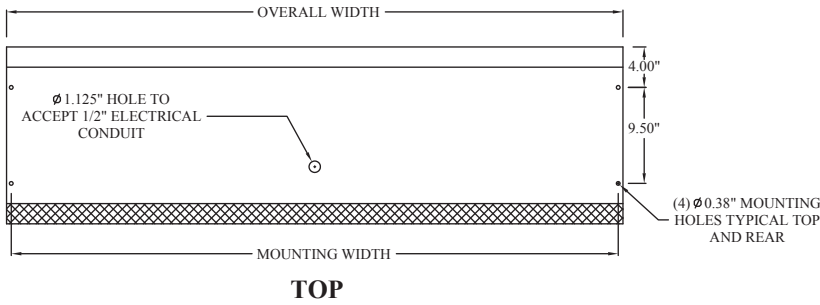


**Widths ranging from 36" to 12' in one single unit. Contact factory for additional widths.**



MODEL CED & CEDE												
NUMBER	1-36	1-42	1-48	1-60	2-60	2-72	2-84	2-96	3-108	3-120	3-132	4-144
OVERALL WIDTH	37	43	49	61	61	73	85	97	109	119	134	146
NOZZLE WIDTH	36	42	48	60	60	72	84	96	108	118	133	145
MOUNTING WIDTH	36 1/16	42 1/16	48 1/16	60 1/16	60 1/16	72 1/16	84 1/16	96 1/16	108 1/16	118 1/16	133 1/16	145 1/16